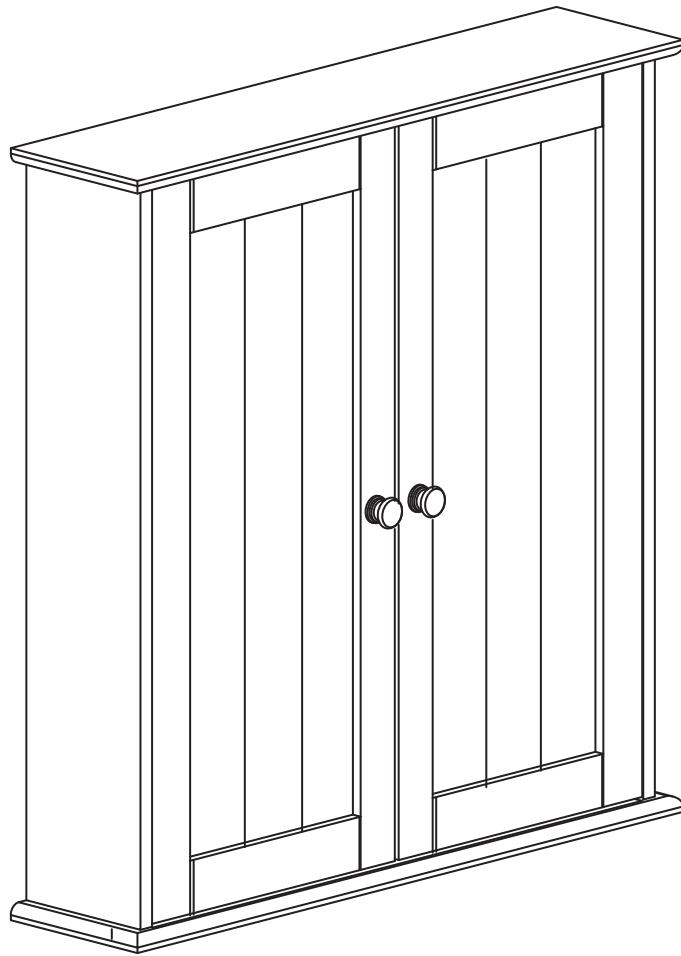
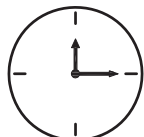


Assembly Instructions

Wall Cabinet



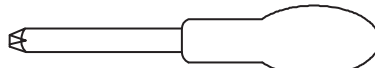
2 PERS.



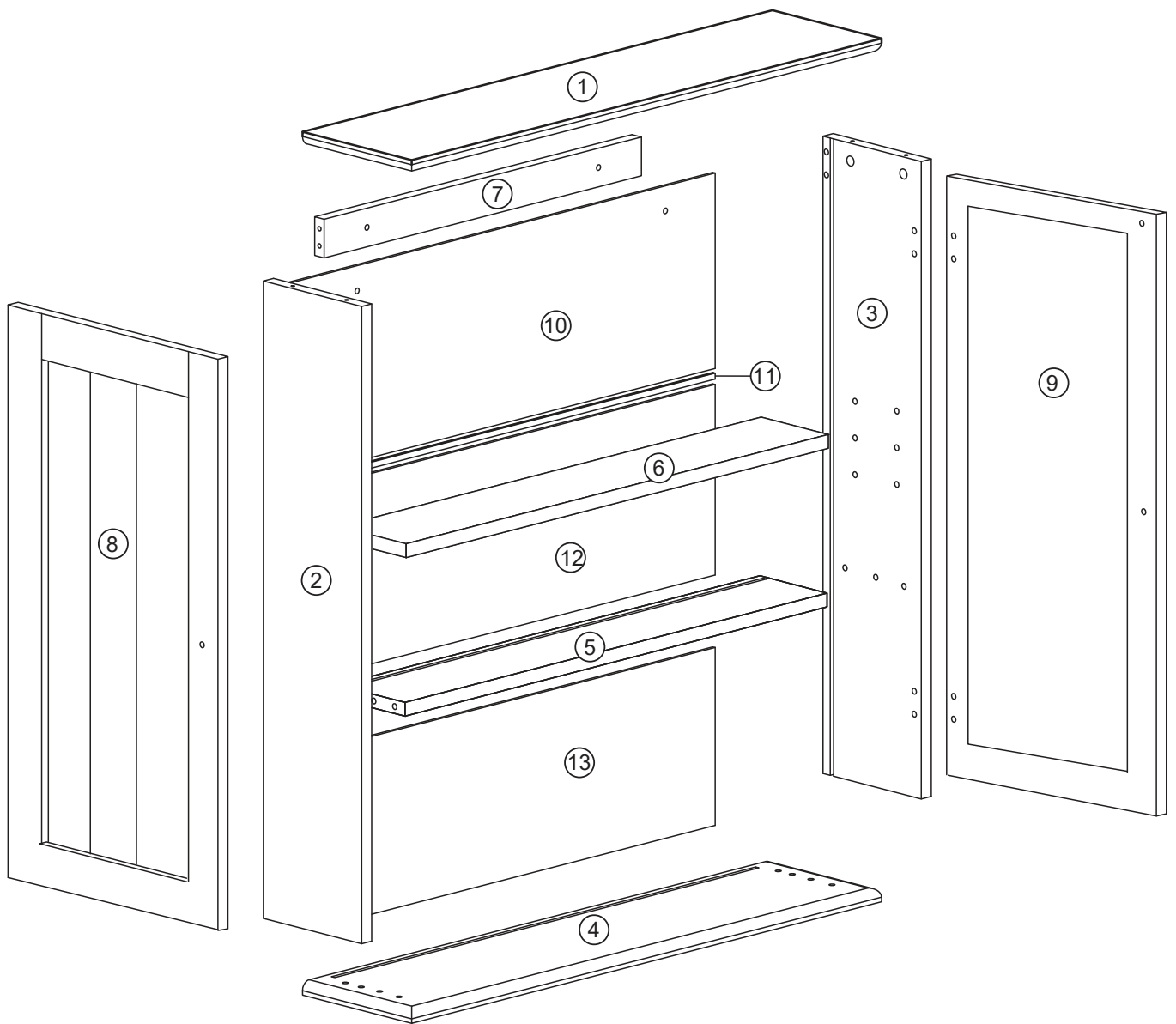
30 MIN

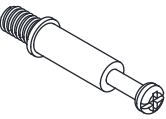

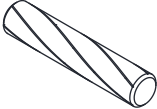

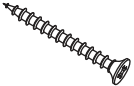



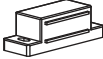

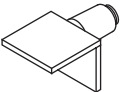

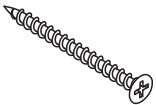
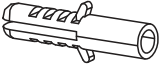


SLOTTED SCREWDRIVER(Not Provided)

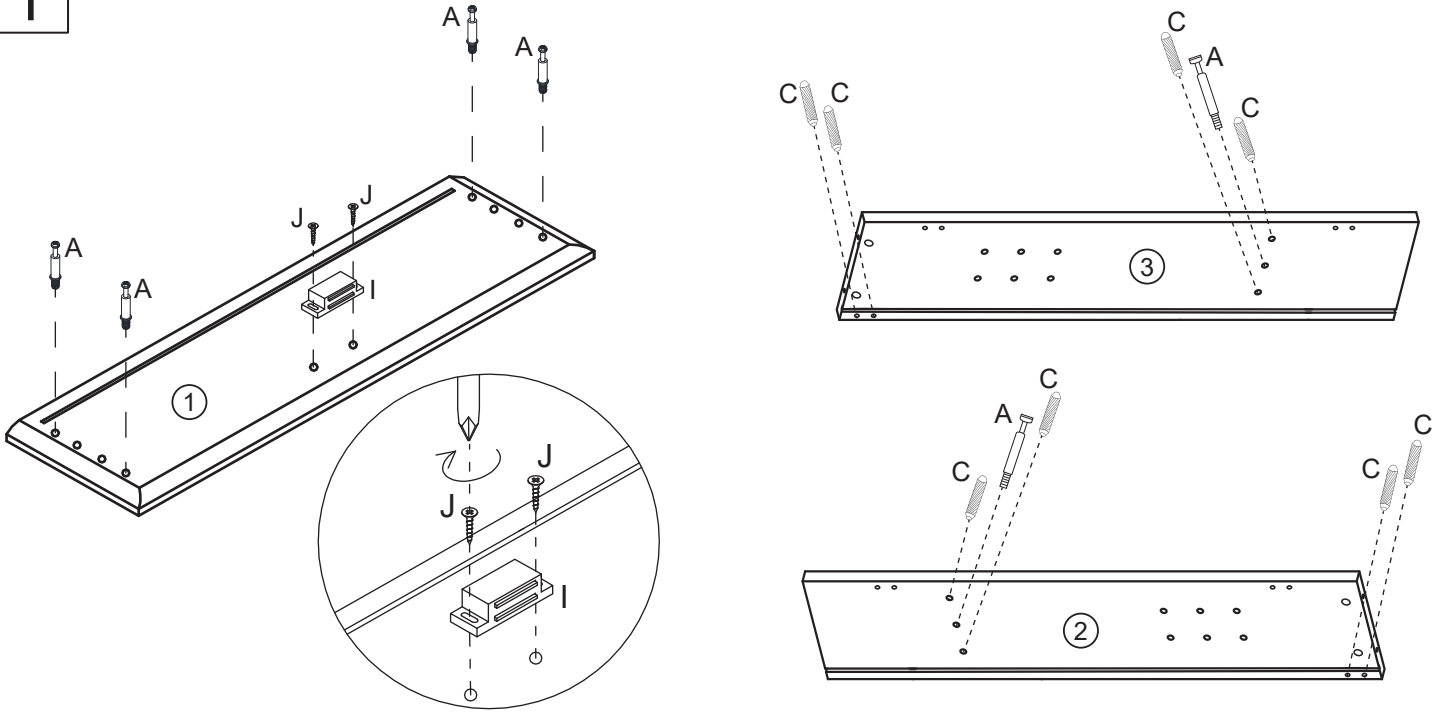


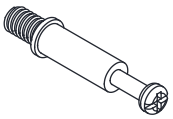
POZI SCREWDRIVER(Not Provided)

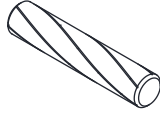


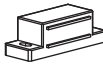
A	x6	B	x6	C	x16	D	x18	E	x4
									
						Ø3x12mm		Ø4x30mm	
F	x4	G	x2	H	x2	I	x1	J	x2
									
				Ø4x16mm				Ø3x14mm	
K	x4	L	x2	M	x2	N	x2		
									
				Ø4x40mm					


1



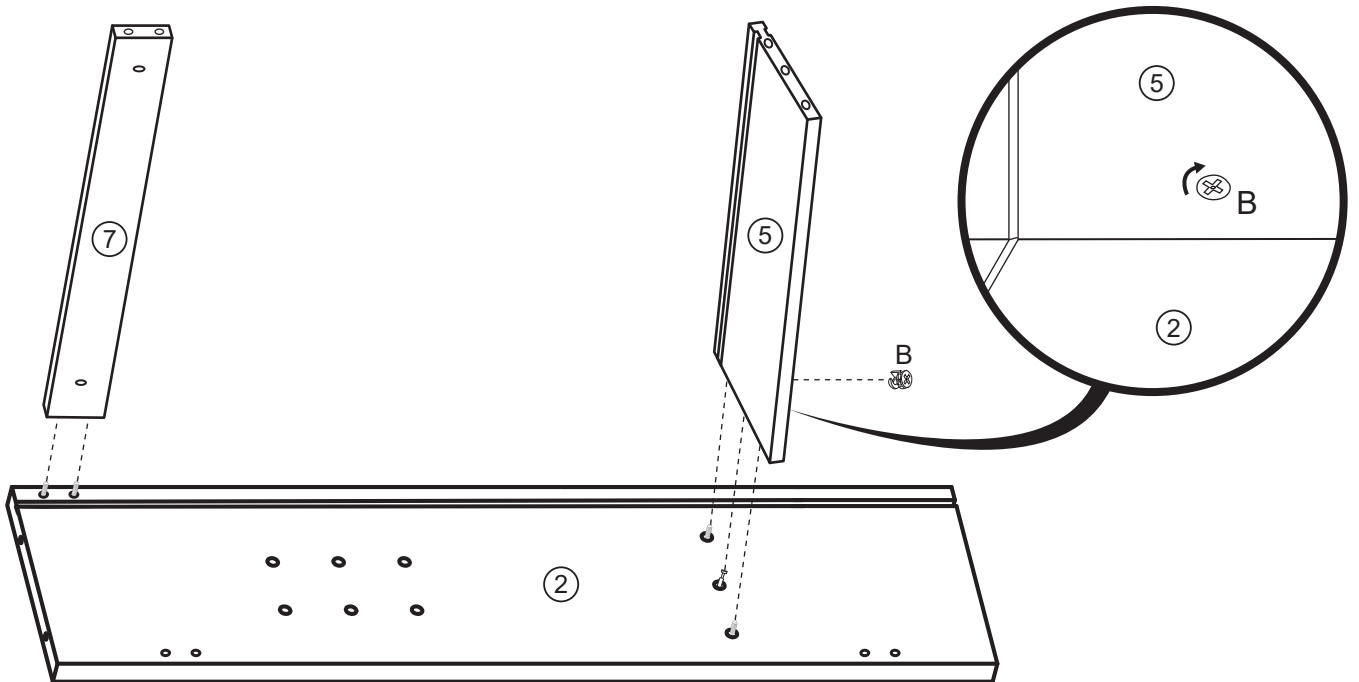
A	x6
	


C	x8
	

I	x1
	

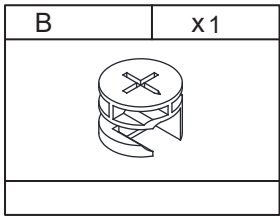
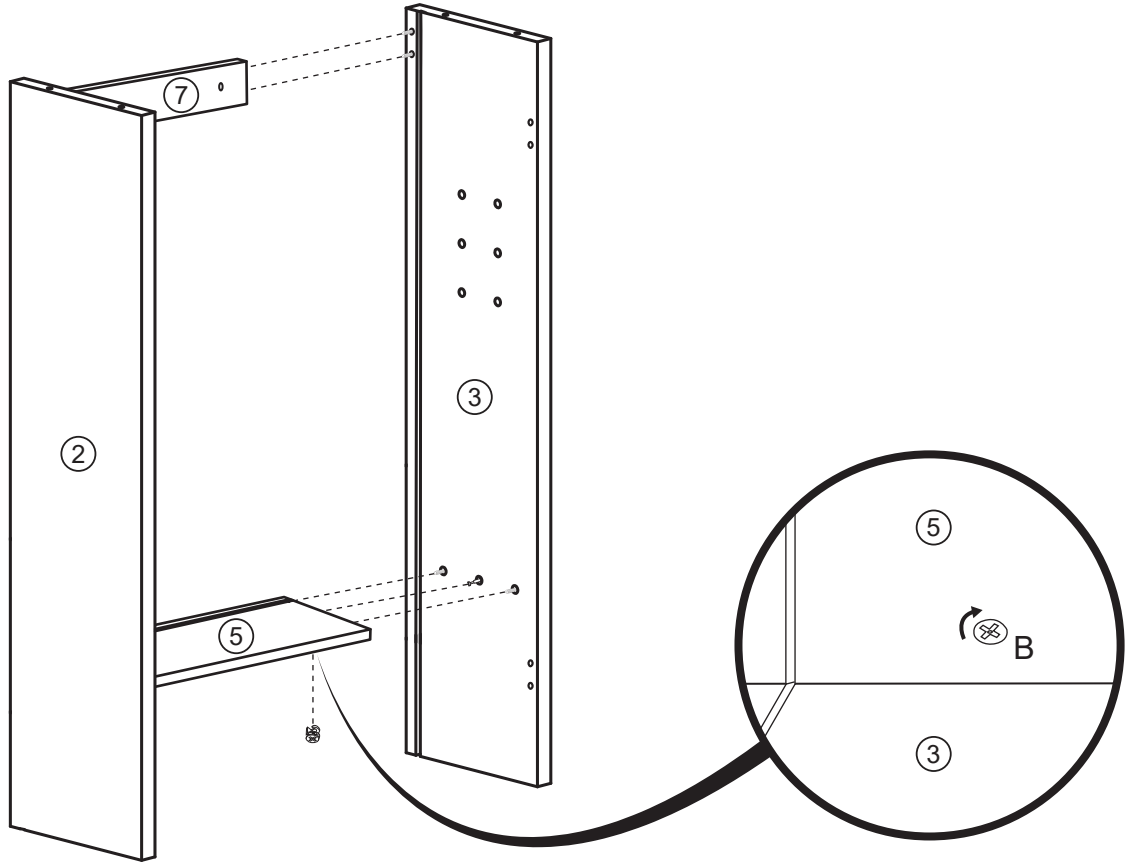
J	x2
	
<p>Ø3x14mm</p>	

2

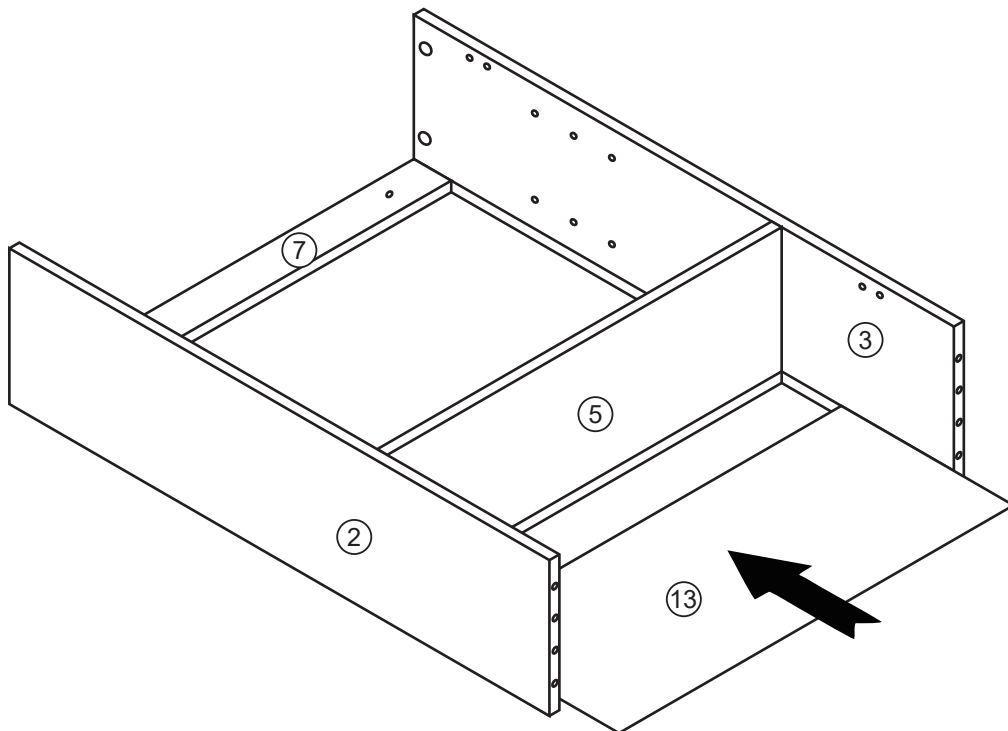


B	x1
	

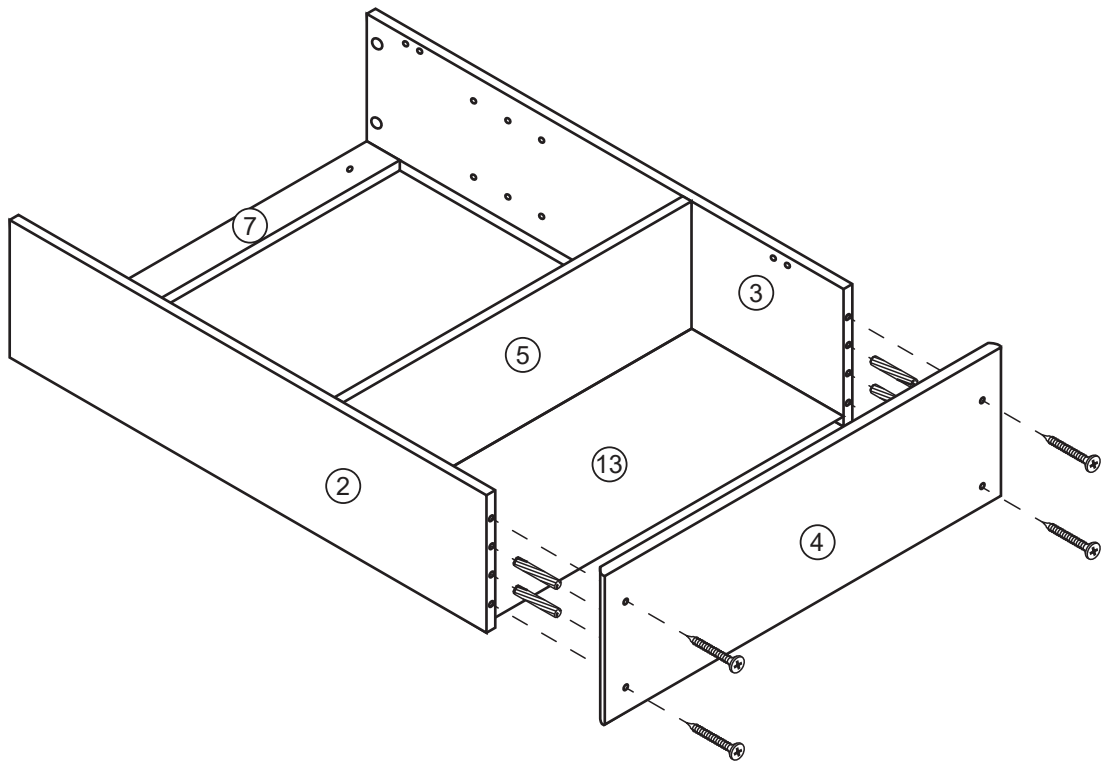
3



4



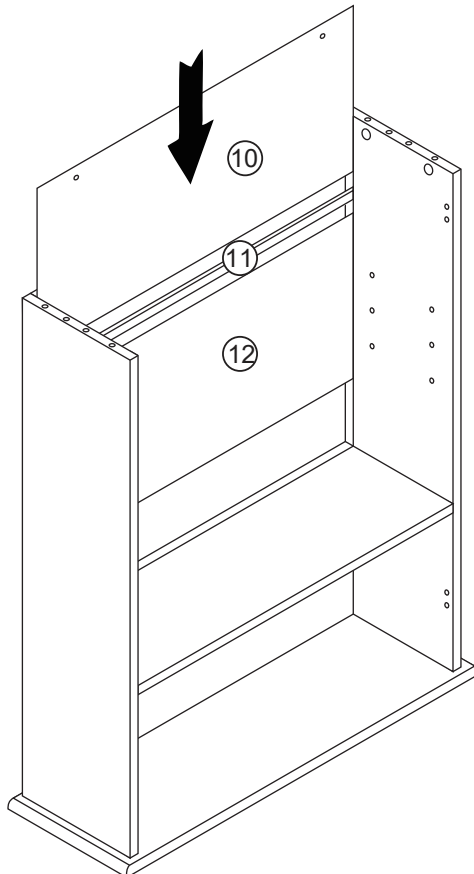
5



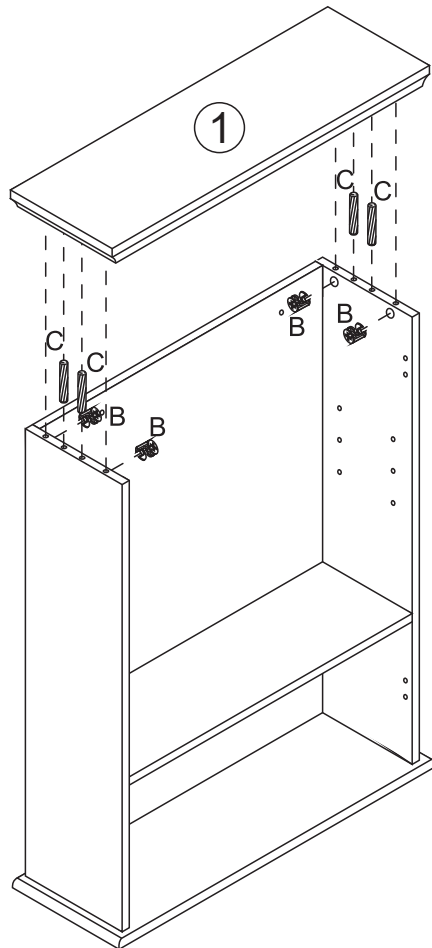
C	x4


E	x4
<p>Ø4x30mm</p>	

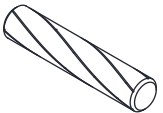
6



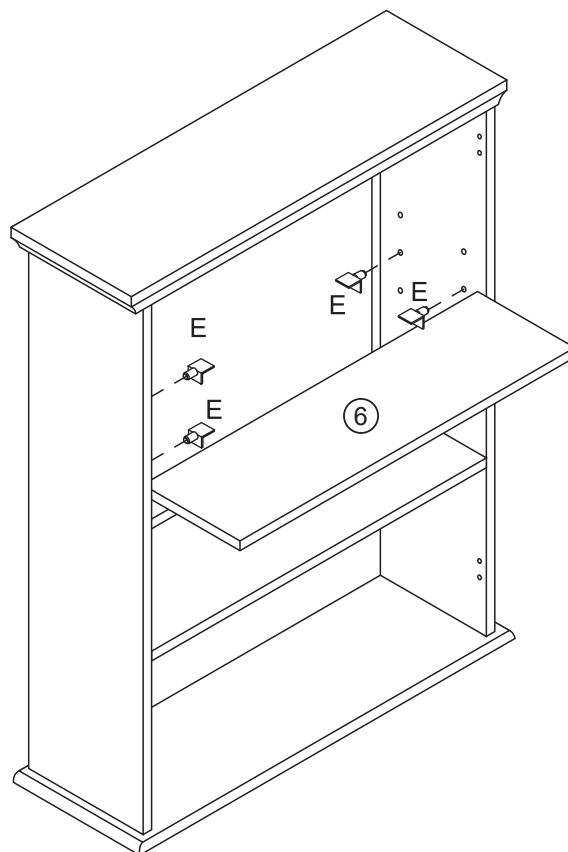
7

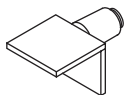


B	x4
	

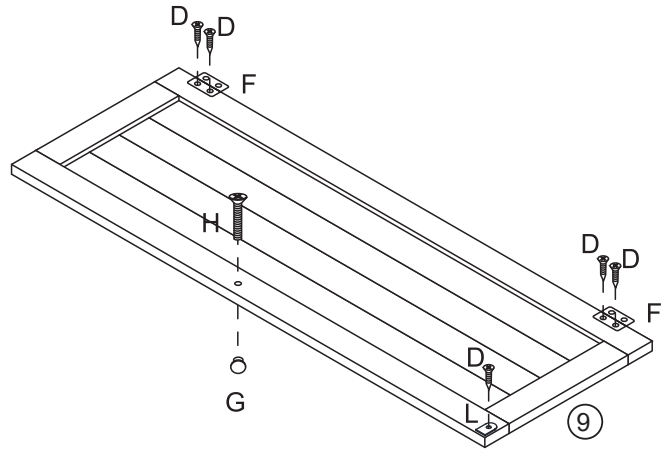
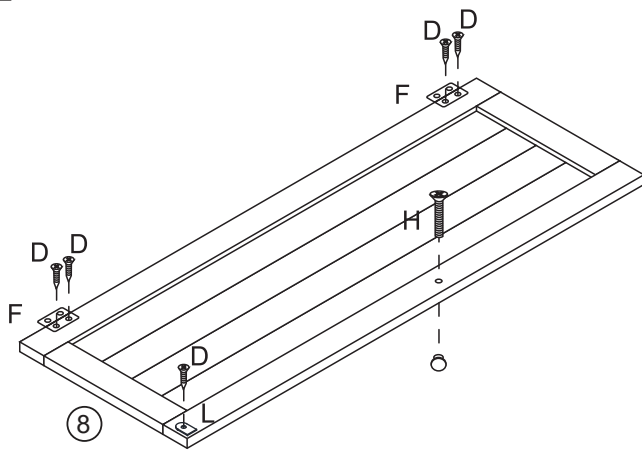
C	x4
	

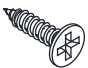




8



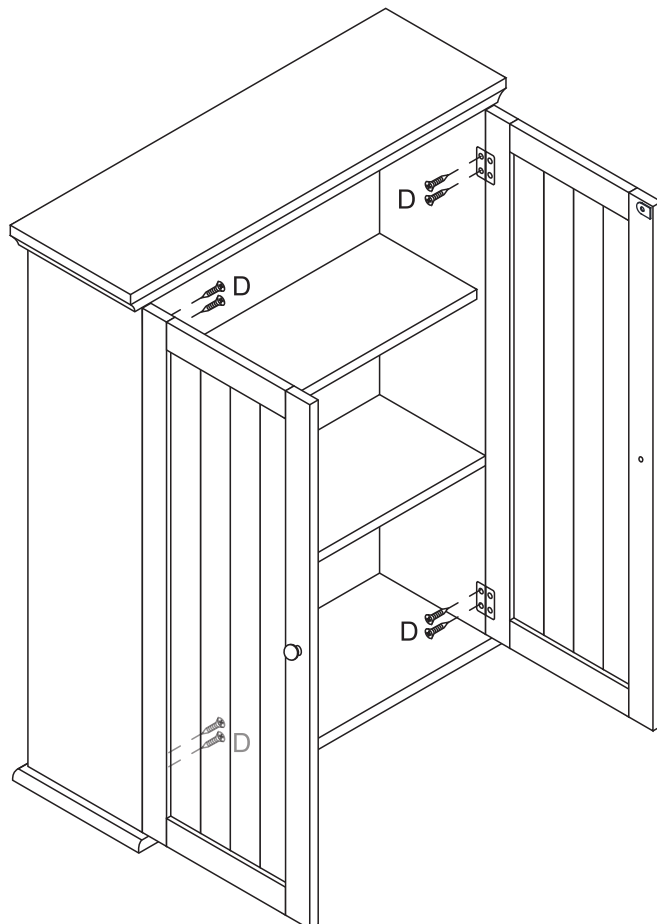
K	x4
	

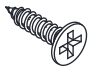
7



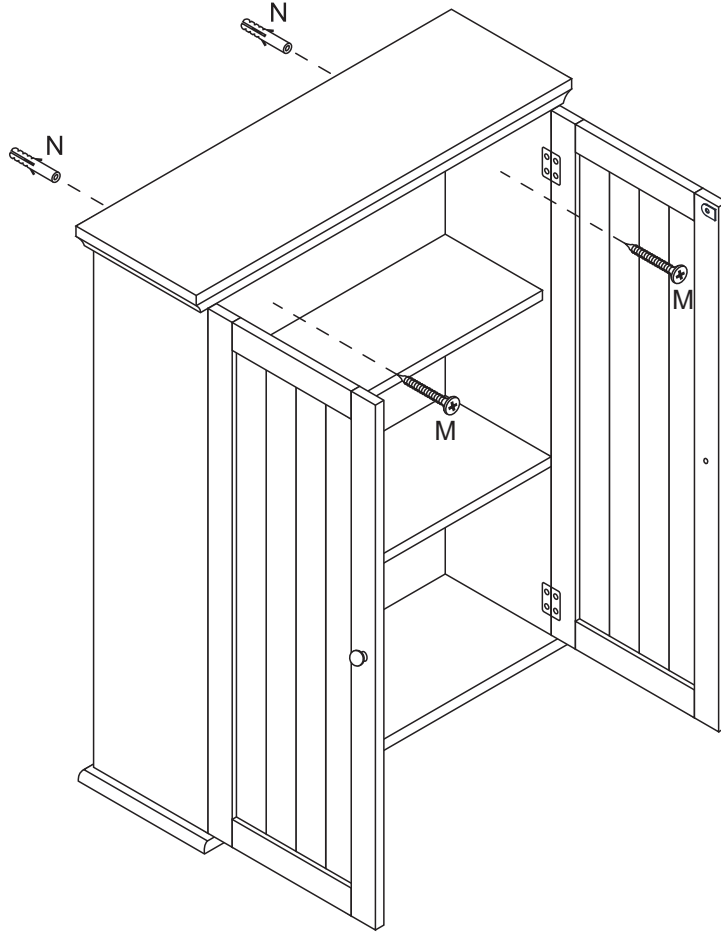
D	x10	F	x4	G	x2	H	x2	L	x2
									
Ø3x12mm						Ø4x16mm			

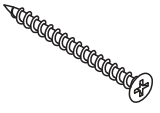
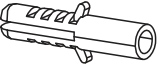
8



D	x8
	
Ø3x12mm	

7



M	x2
	
Ø4x40mm	
N	x2
	

8

