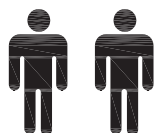
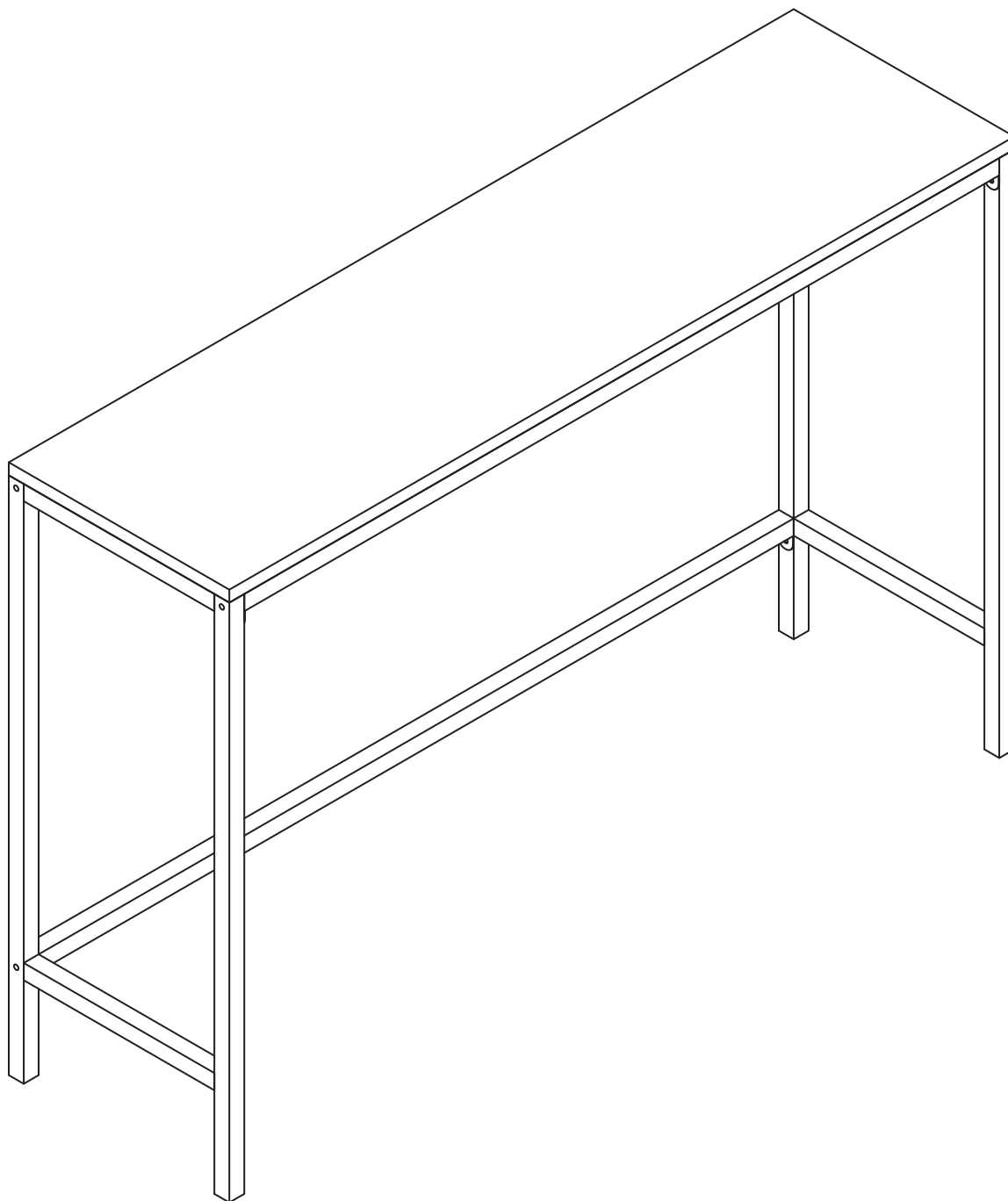
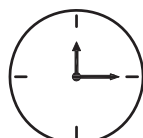


Assembly Instruction

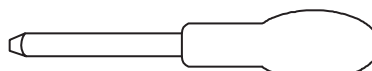
Entryway Table



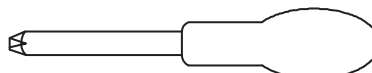
2 PERS.



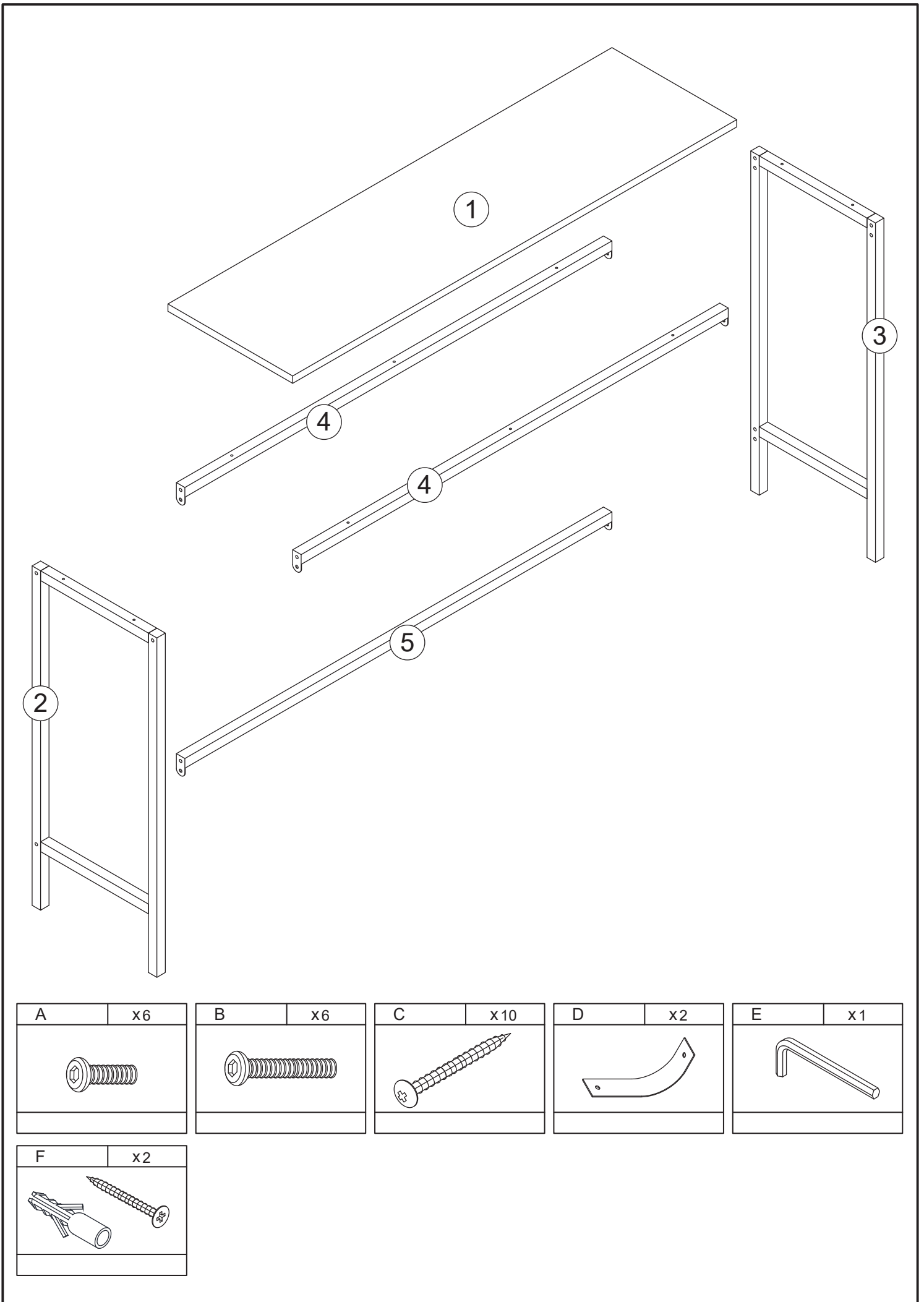
30 MIN



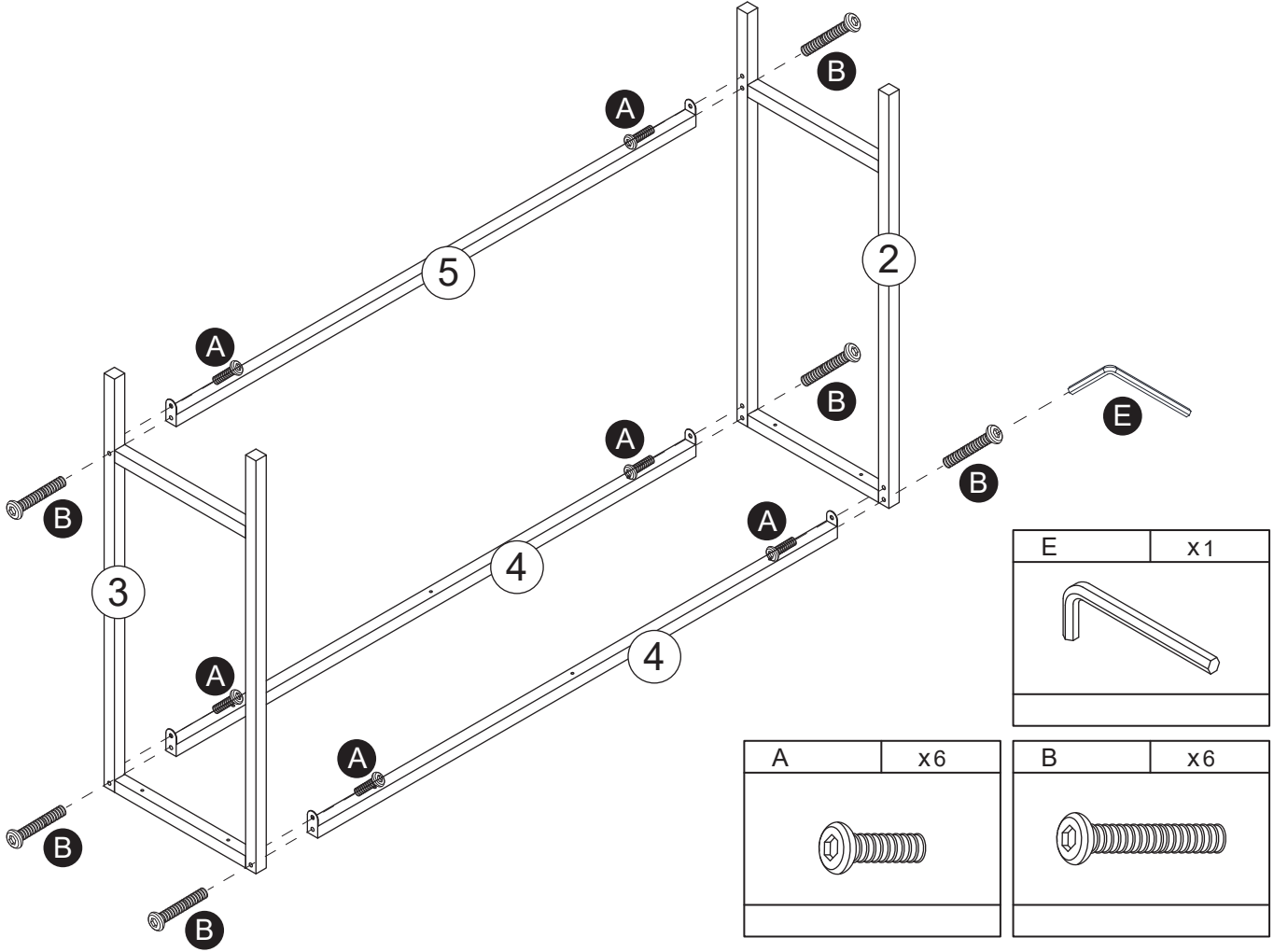
SLOTTED SCREWDRIVER(Not Provided)



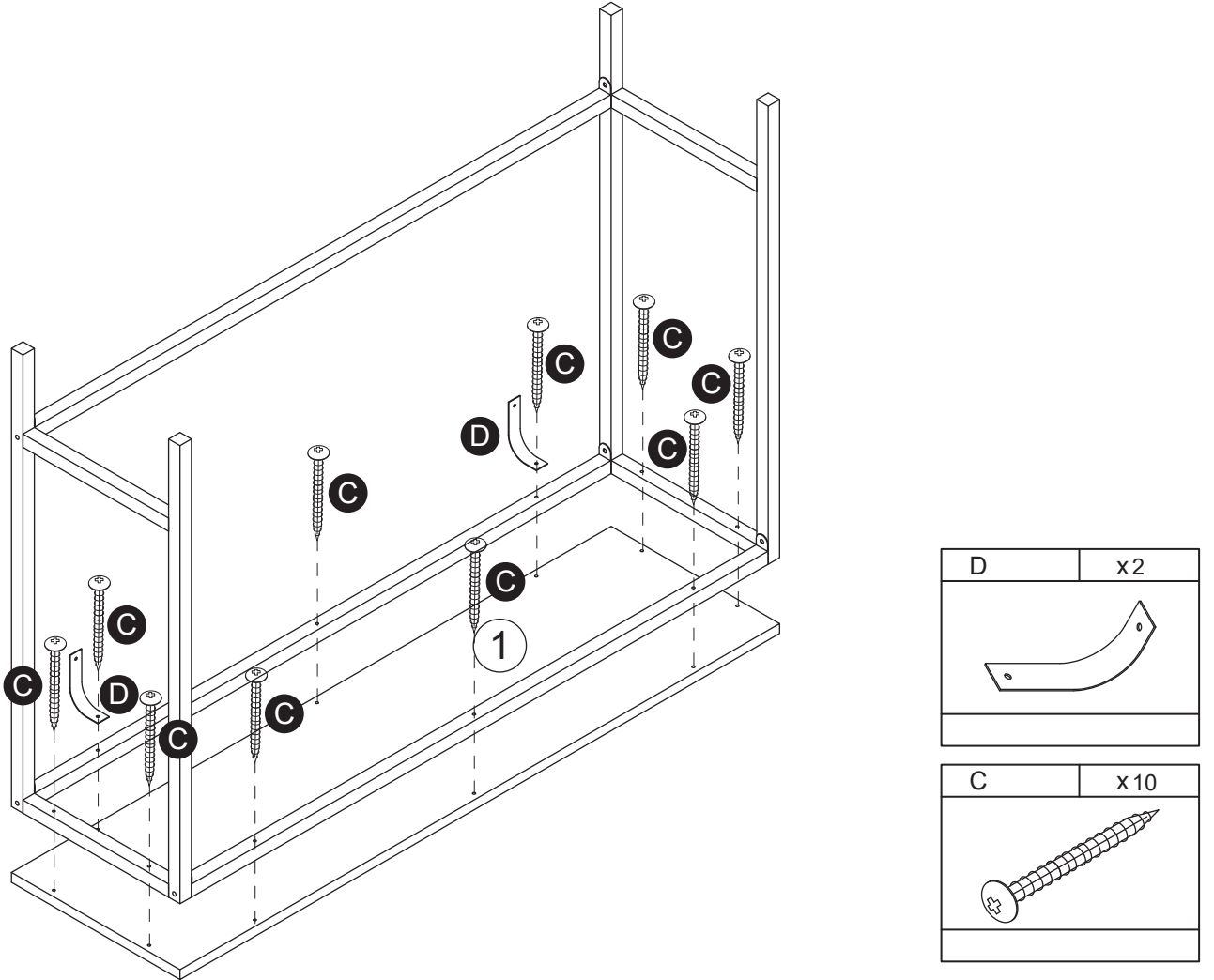
POZI SCREWDRIVER(Not Provided)



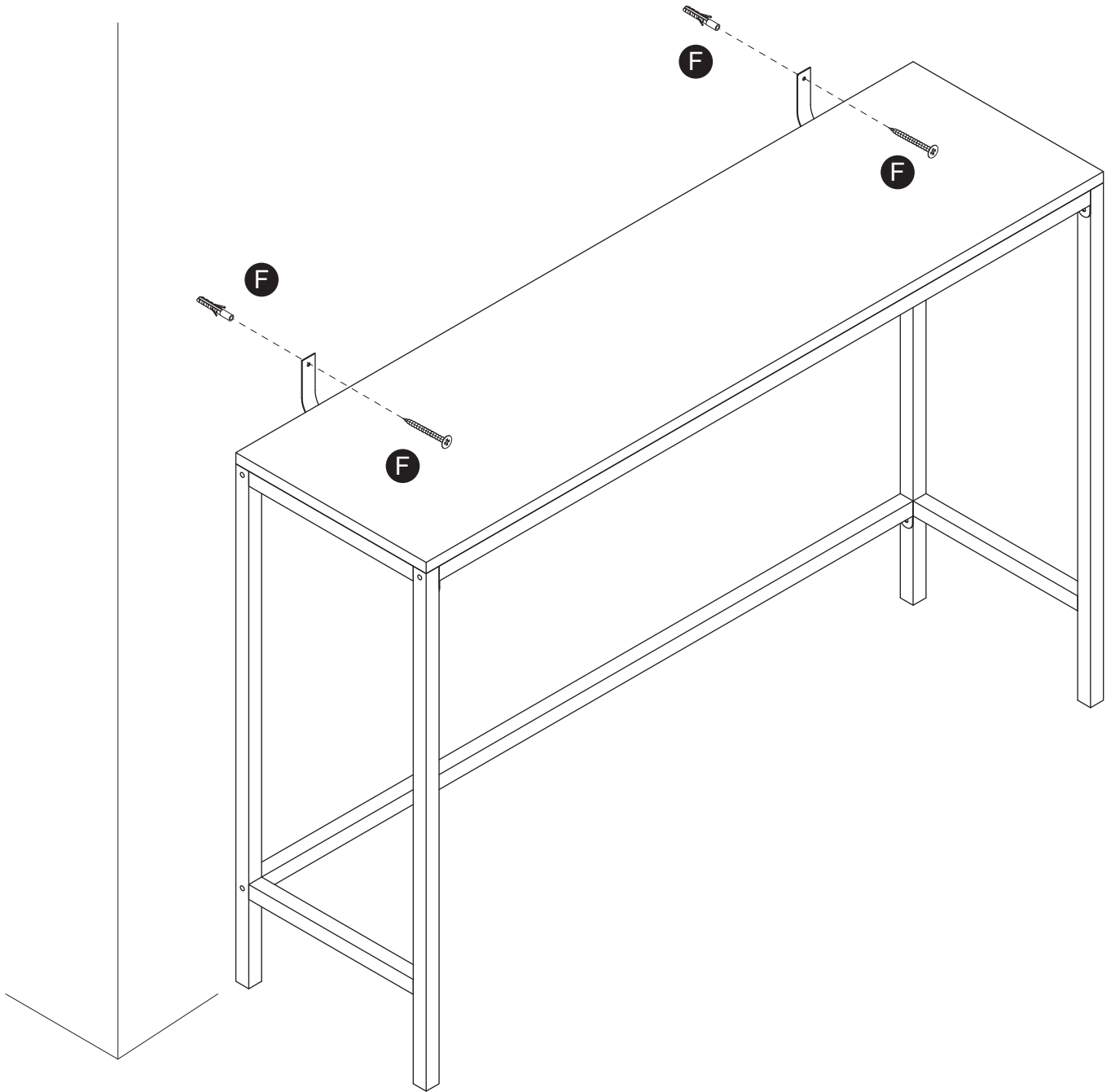
1



2



3



F	x2