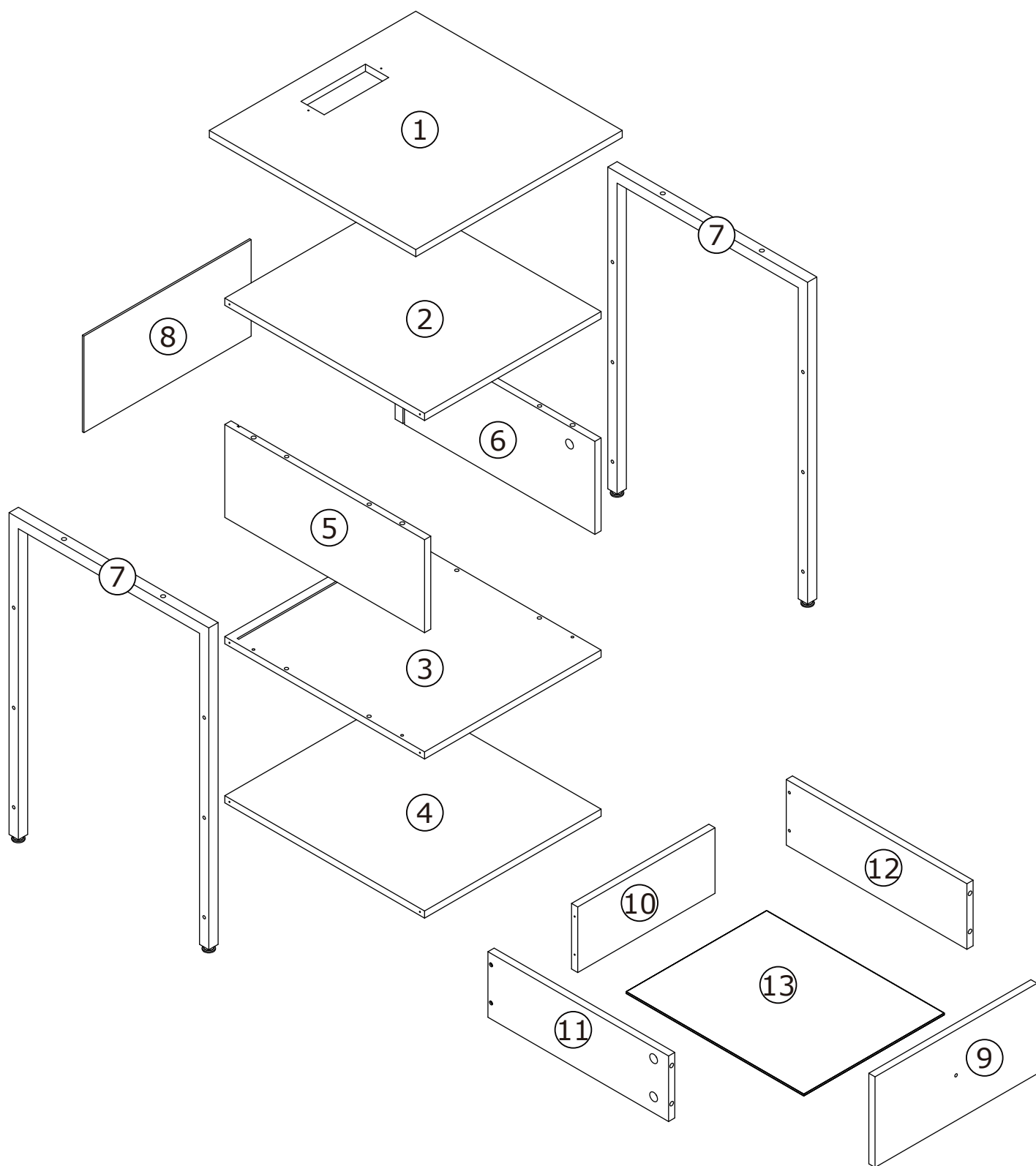
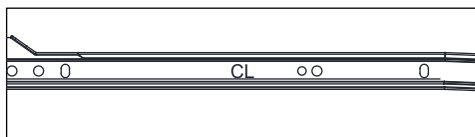
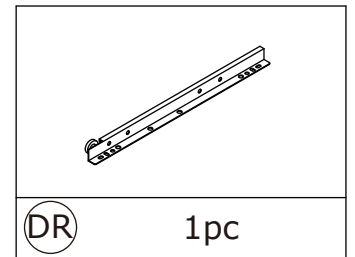
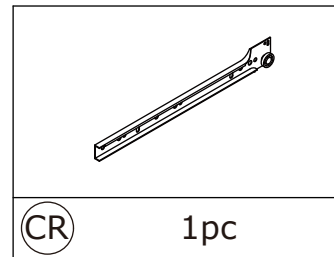
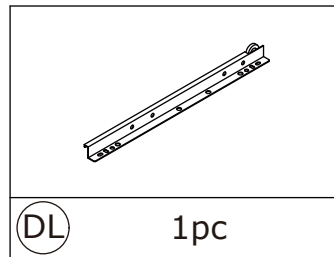
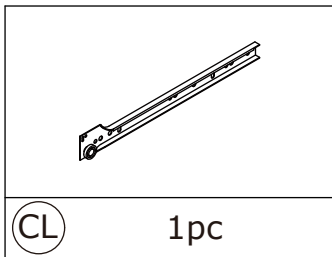
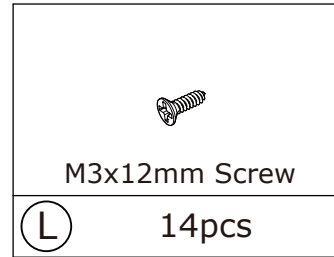
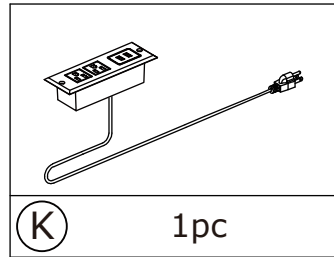
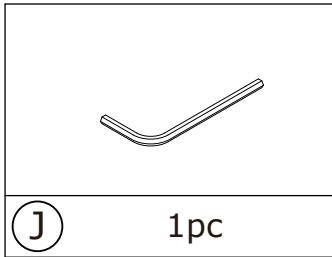
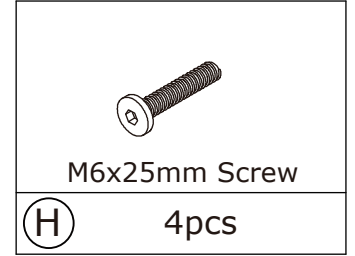
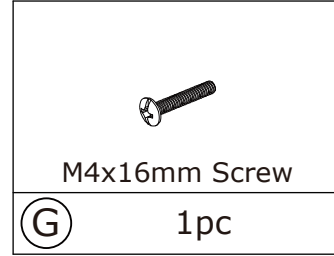
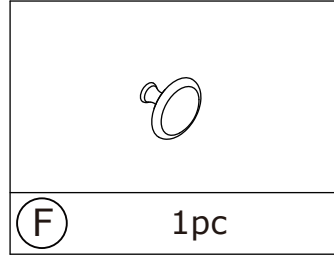
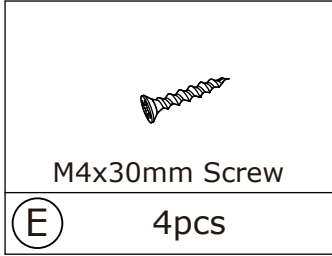
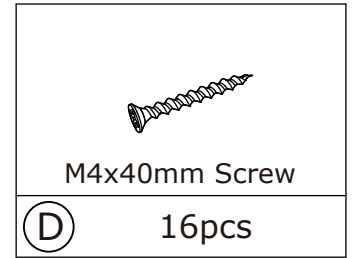
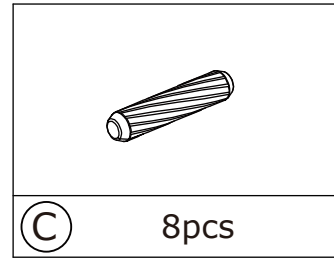
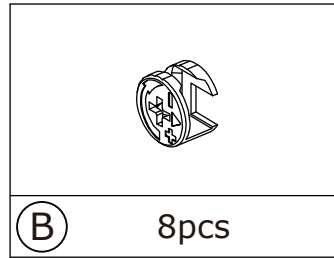
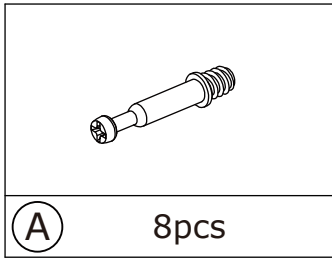


# Assembly Instructions

Nightstand with Charging Station & 2 Shelf



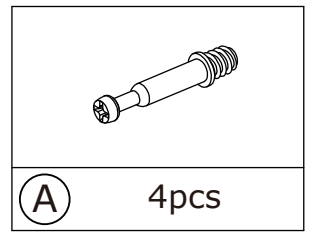
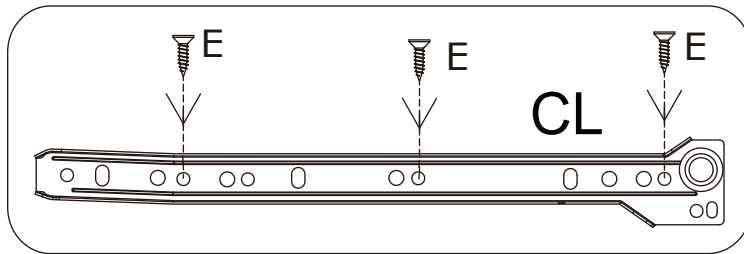




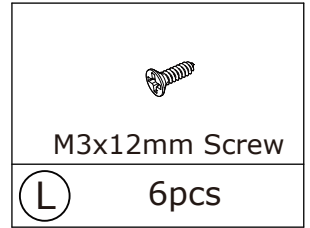
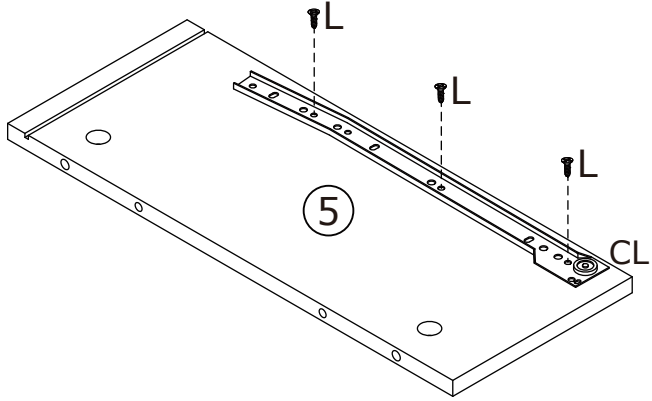
**!** you will find "CL/CR/DL/DR" steel remark on the drawer slider .

## General instructions to assemble connecting pieces

<p>Gently screw cam bolt into the threaded anchor.</p>	<p>Insert the wood dowel halfway into hole.</p>		<p>Screw the camlock firmly into locked position.</p>

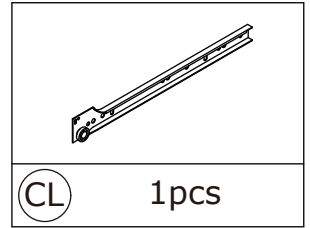


(A) 4pcs

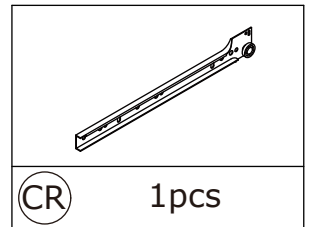
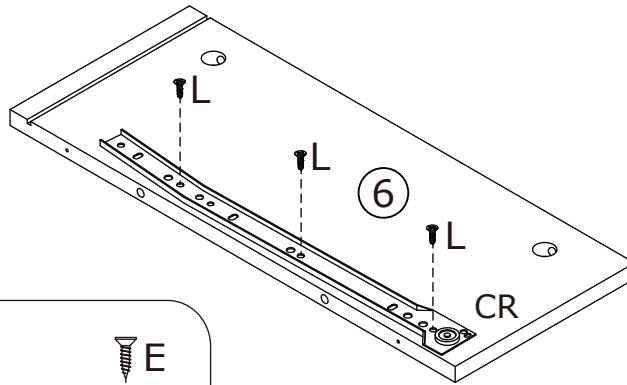


M3x12mm Screw

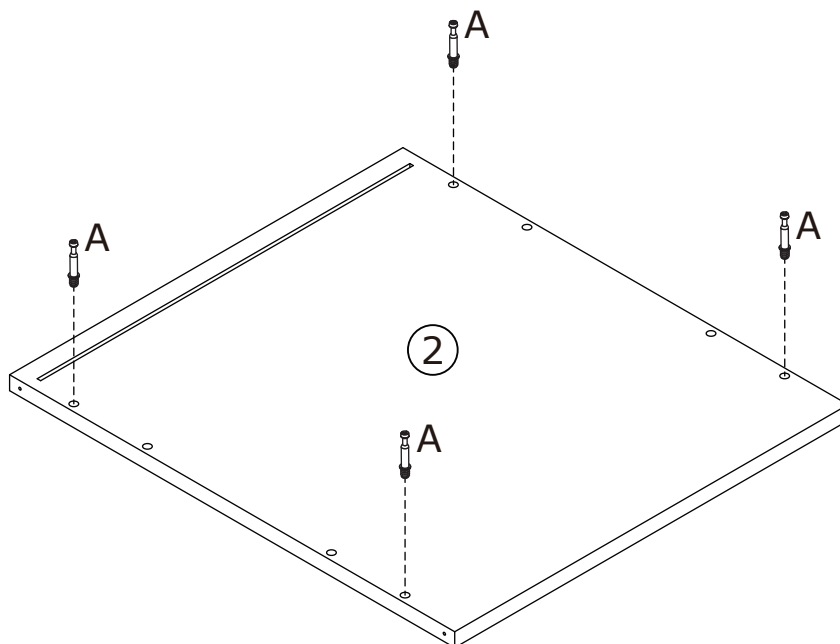
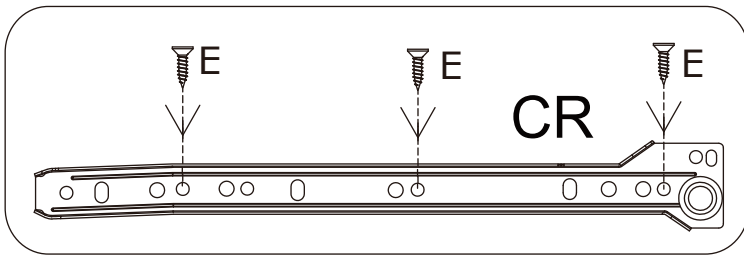
(L) 6pcs

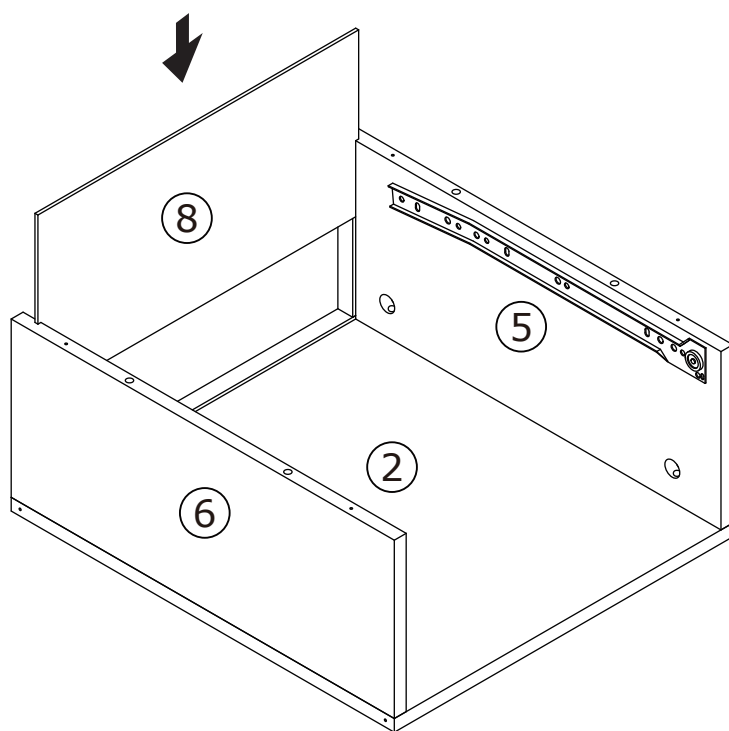
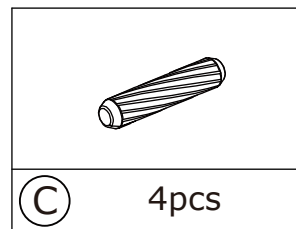
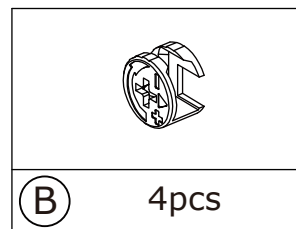
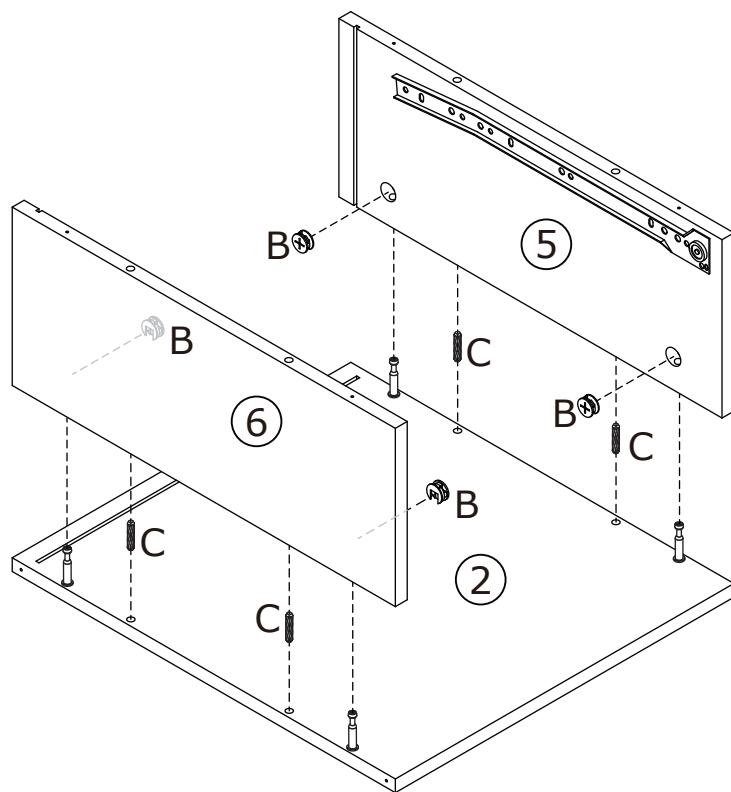


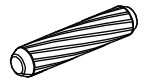
(CL) 1pcs



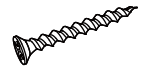
(CR) 1pcs





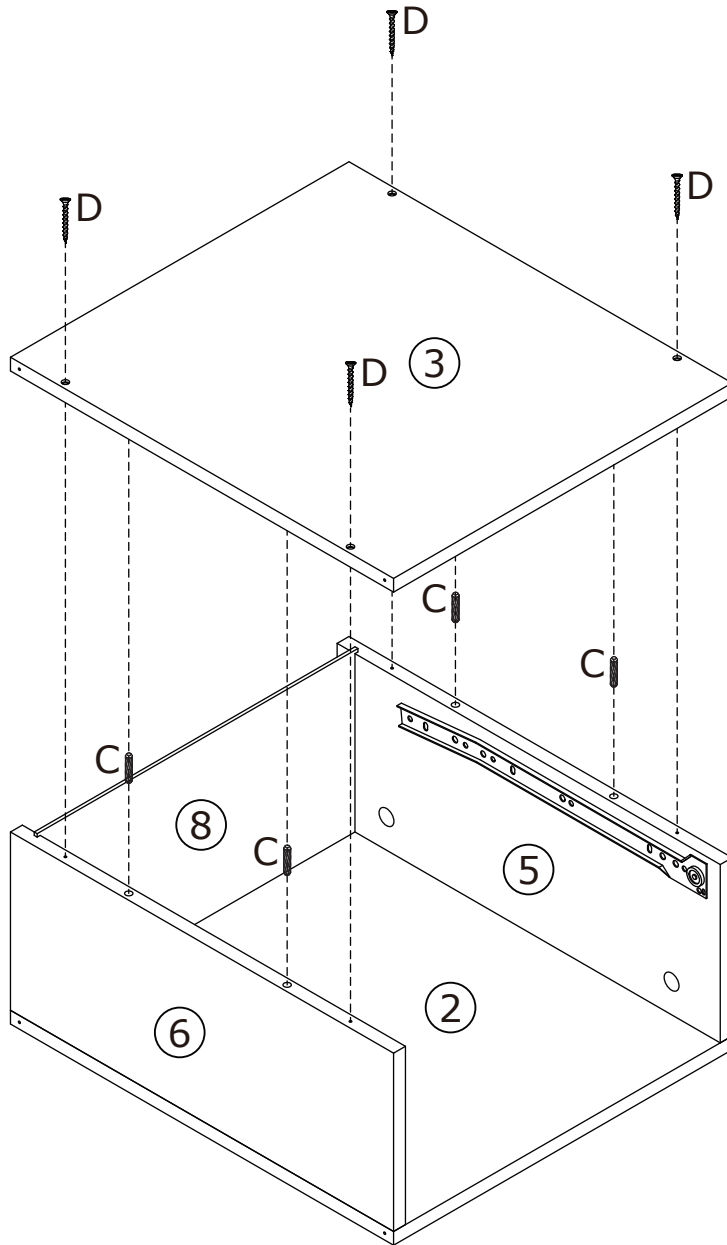


Ⓒ 4pcs



M4x40mm Screw

Ⓓ 4pcs

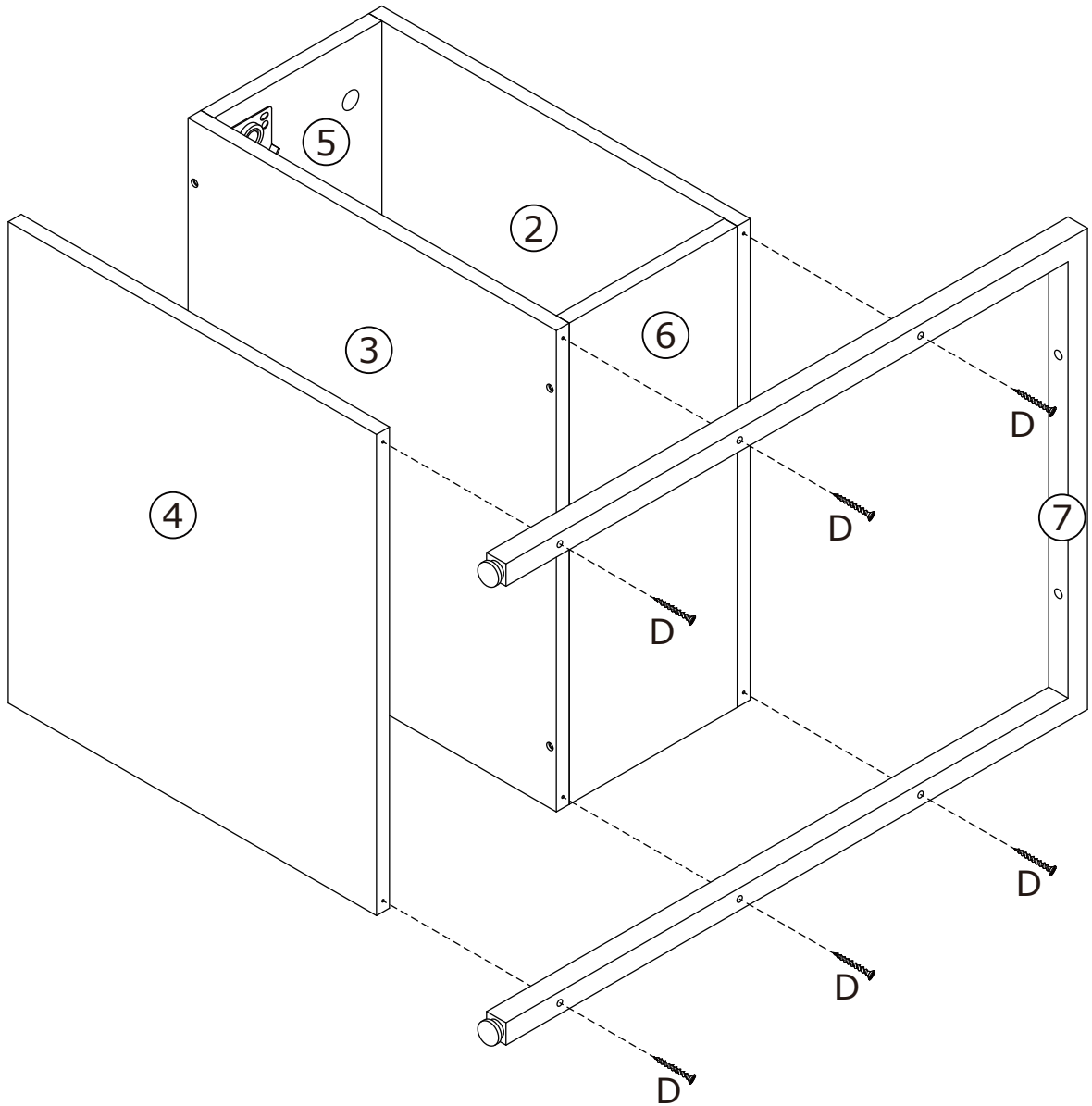




M4x40mm Screw

(D)

6pcs

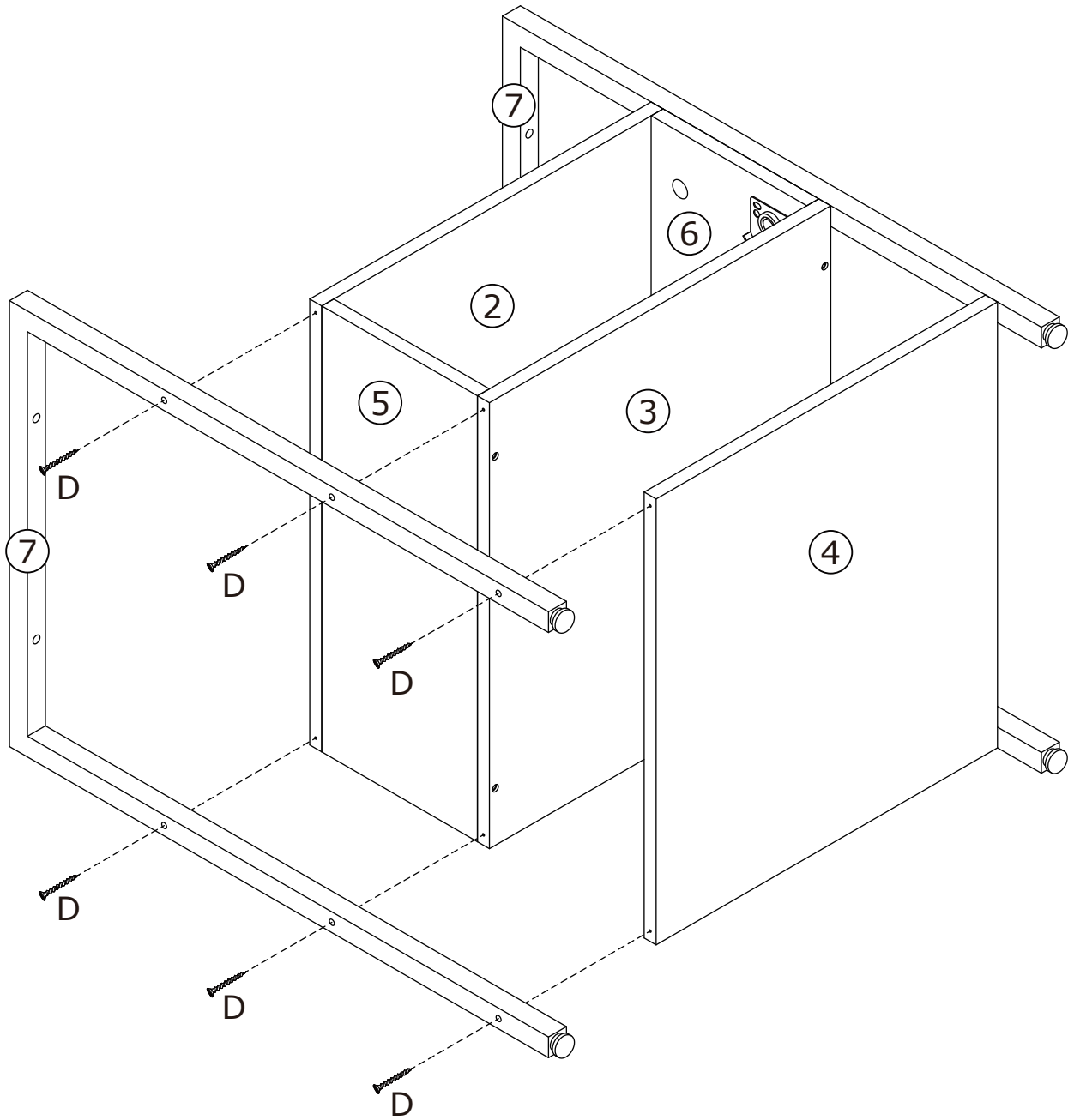




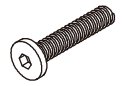
M4x40mm Screw

(D)

6pcs



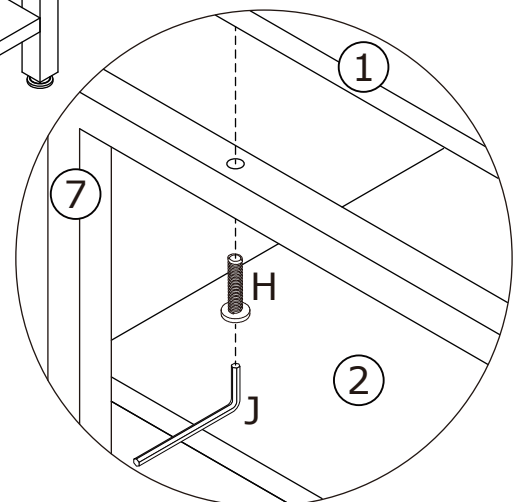
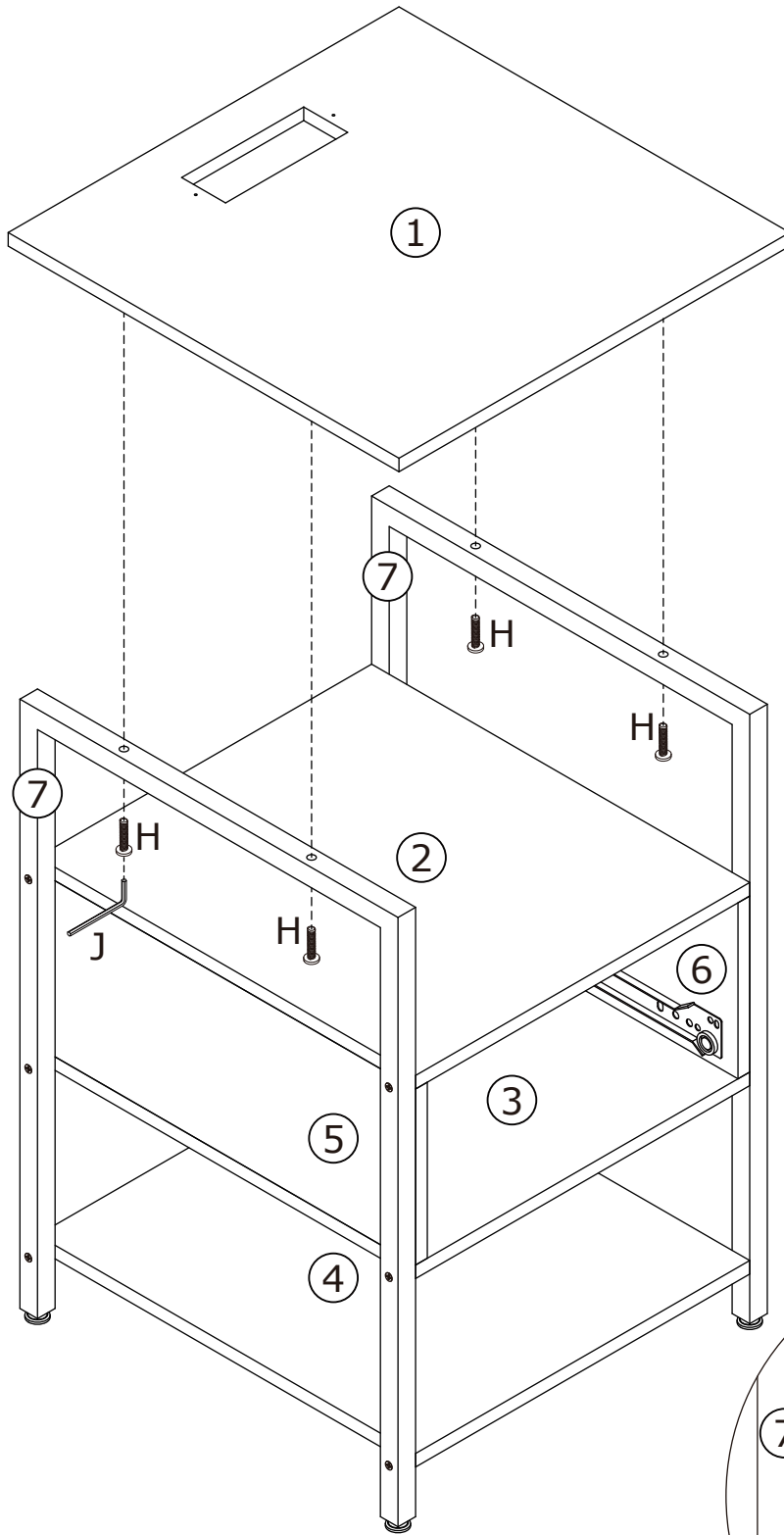


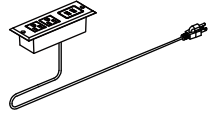


Ⓜ 4pcs



Ⓝ 4pcs



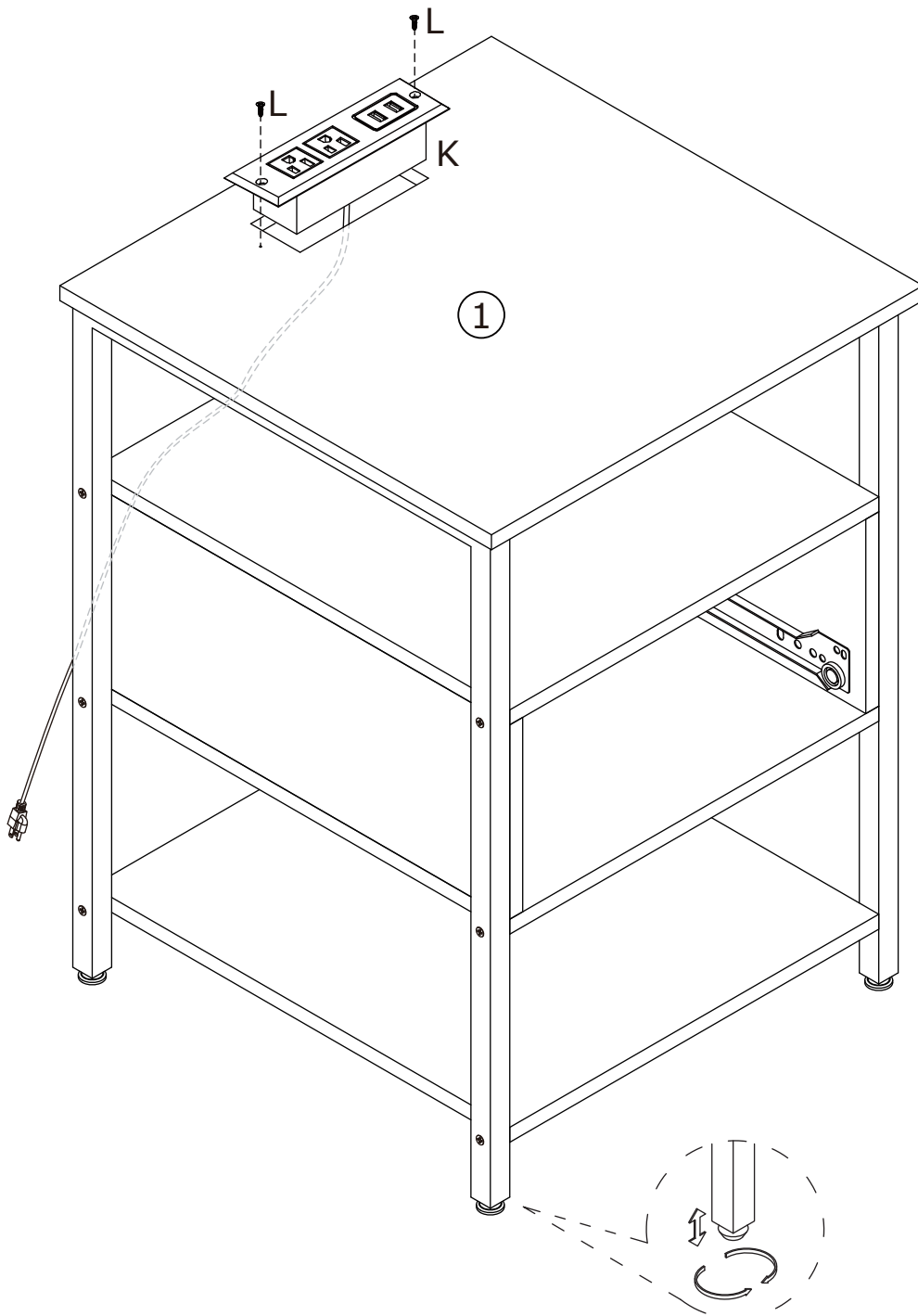


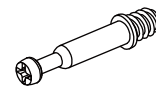
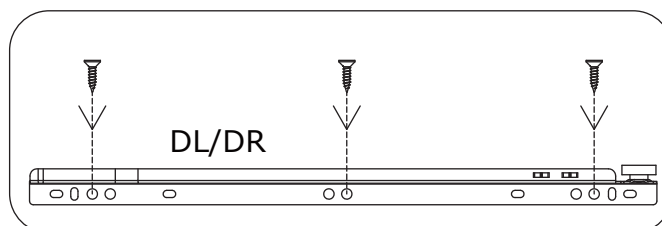
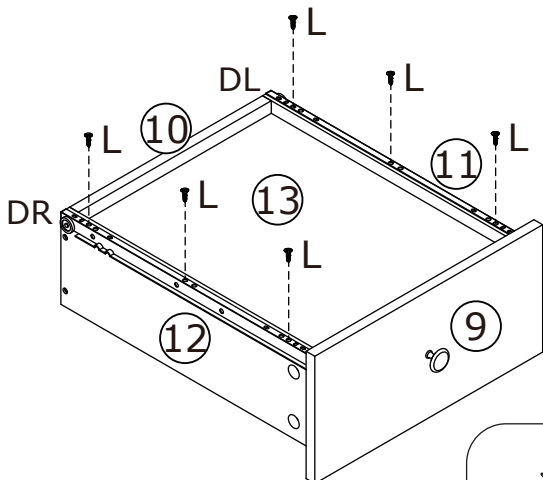
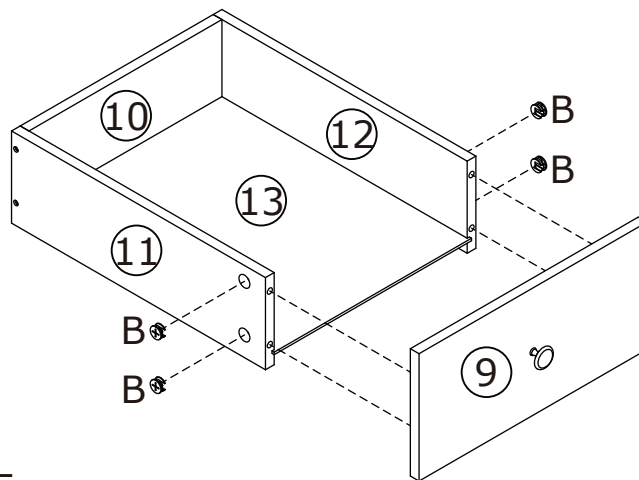
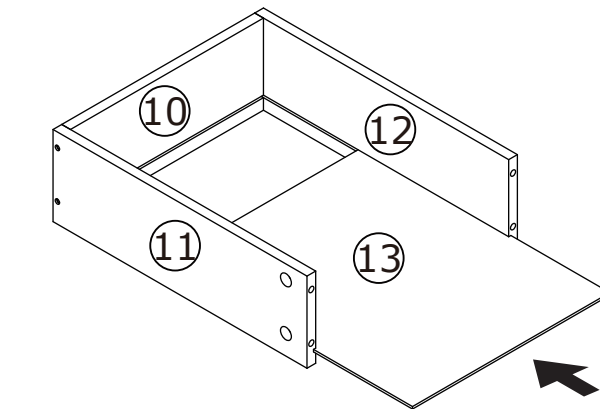
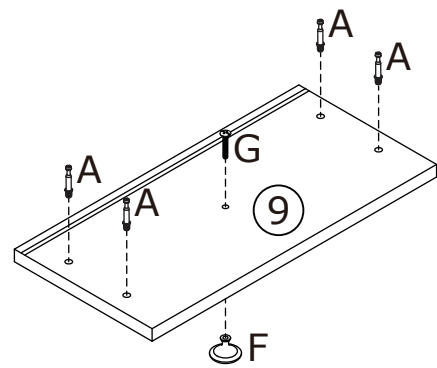
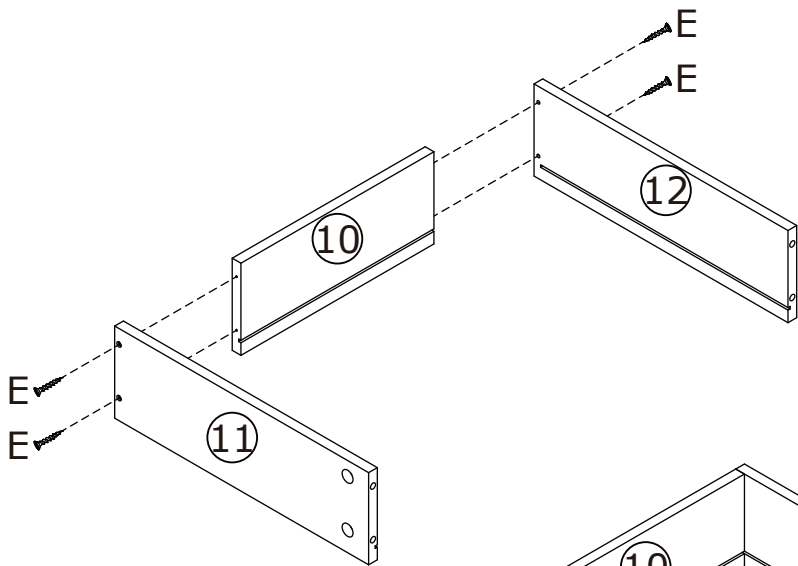
(K) 1pc



M3x12mm Screw

(L) 2pcs





(A) 4pcs



(B) 6pcs



M4x30mm Screw

(E) 6pcs



(F) 6pcs



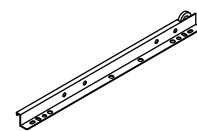
M4x16mm Screw

(G) 6pcs

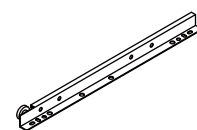


M3x12mm Screw

(L) 6pcs



(DL) 1pcs



(DR) 1pcs

