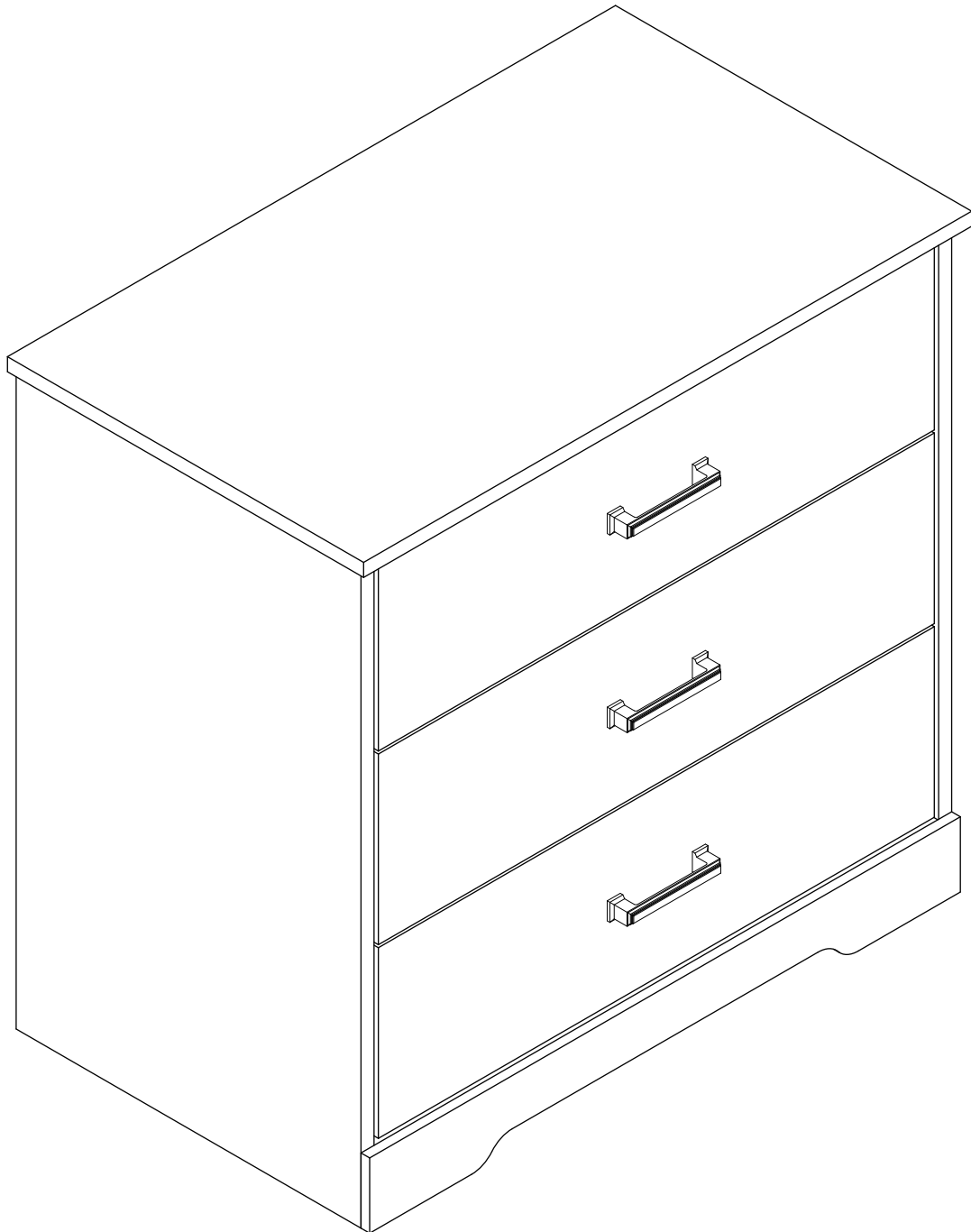
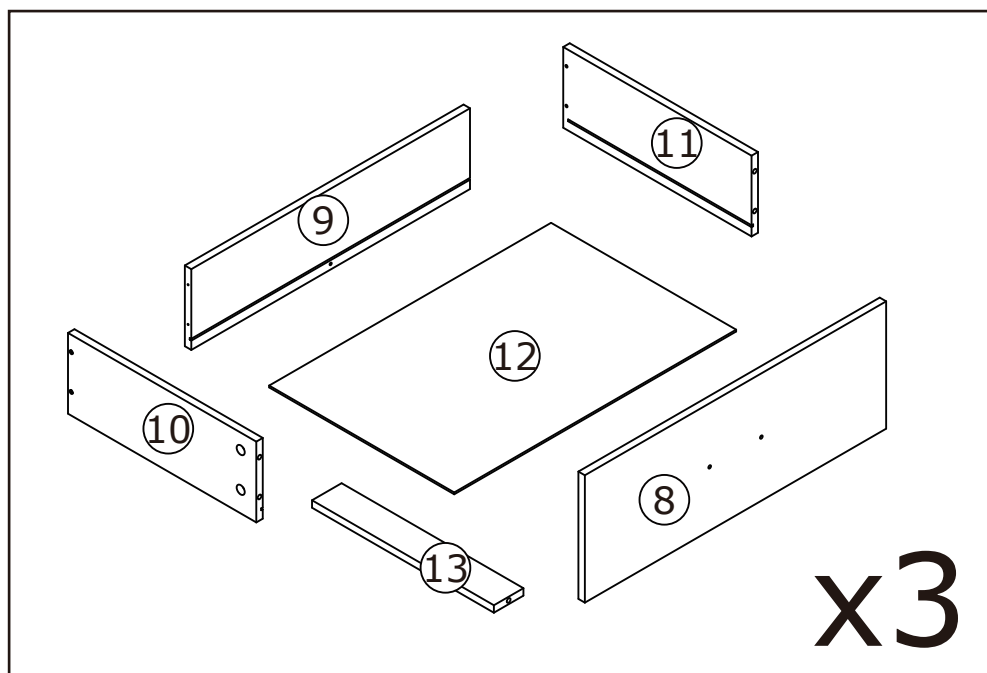
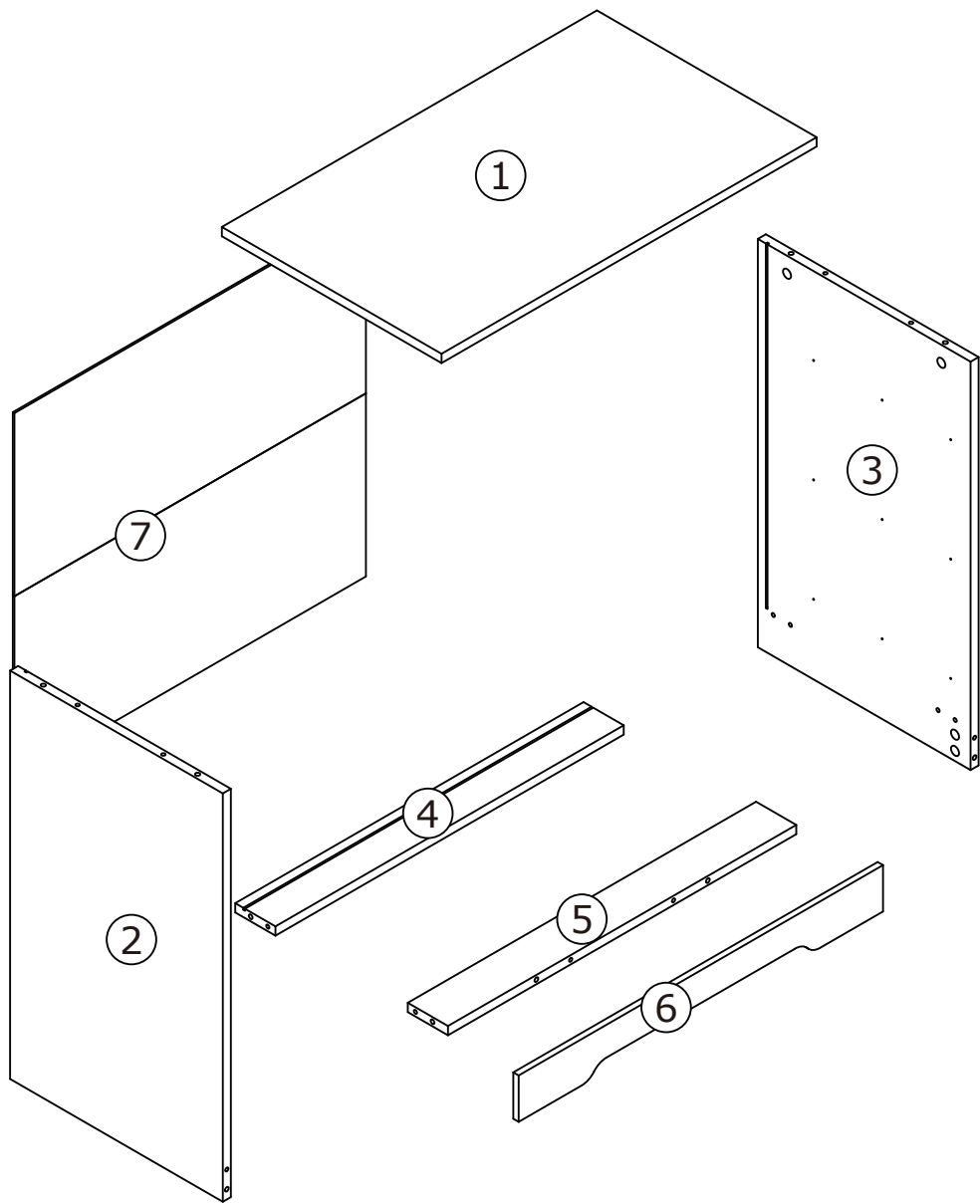


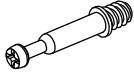


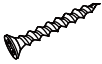

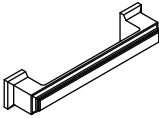

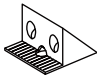


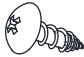


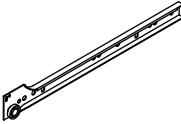
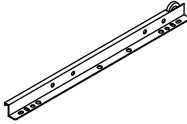
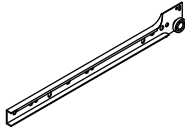
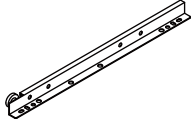
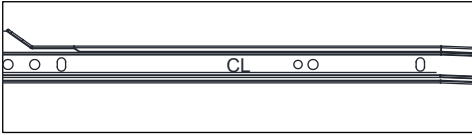
# Assembly Instructions

## 3 Drawer Farmhouse Dresser

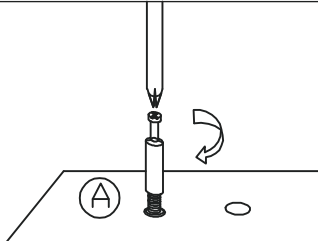
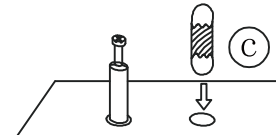
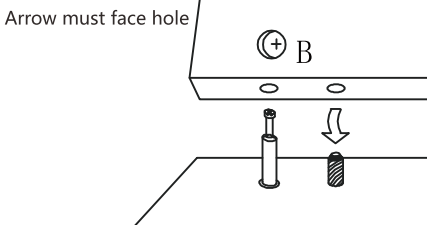
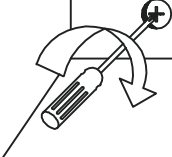


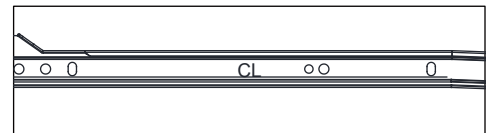
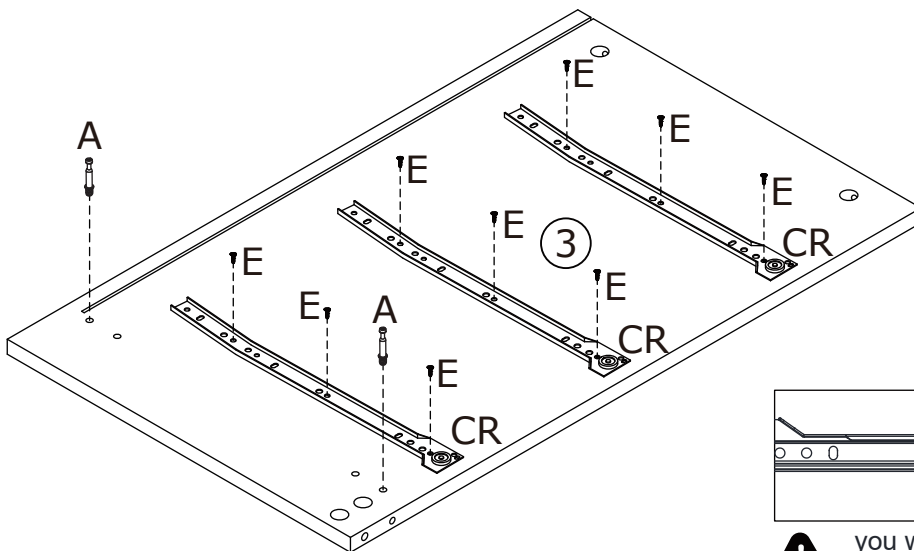
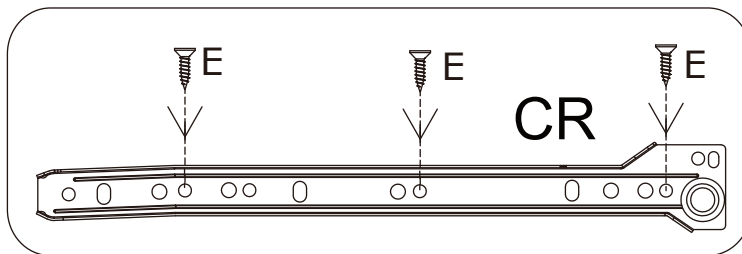
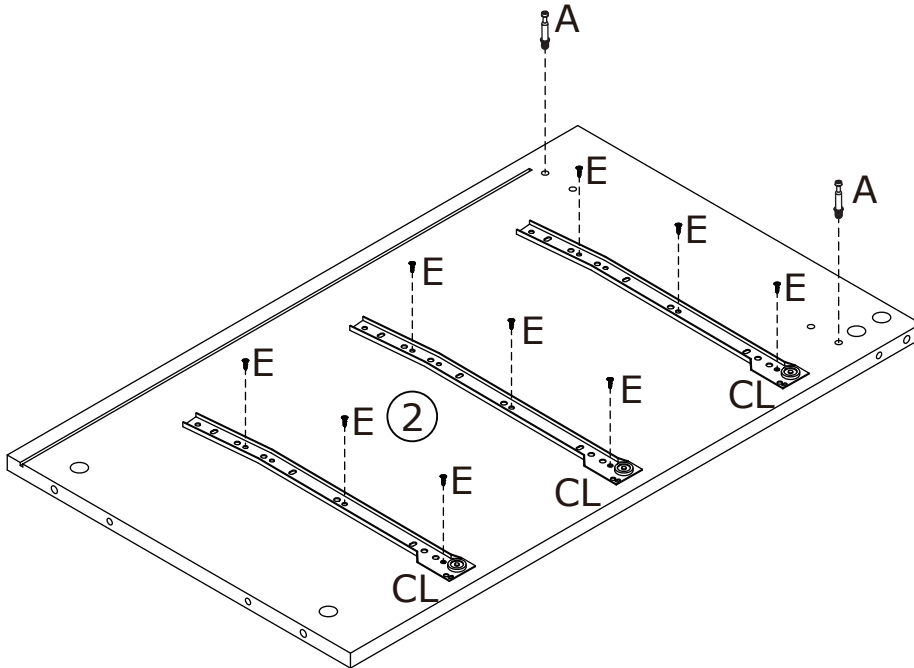
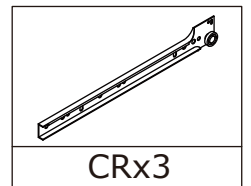
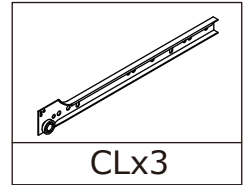
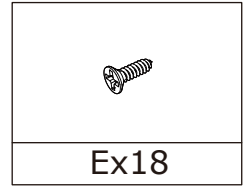
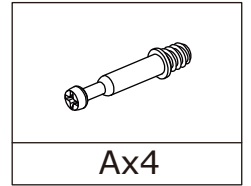
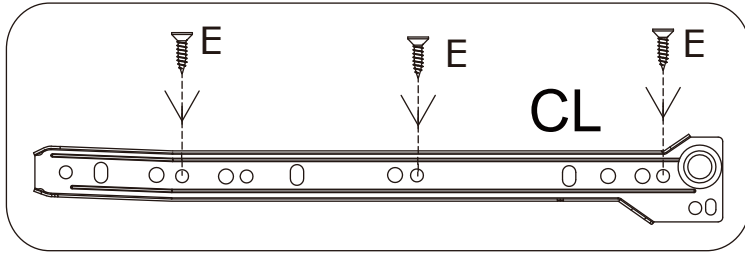


# Hardware

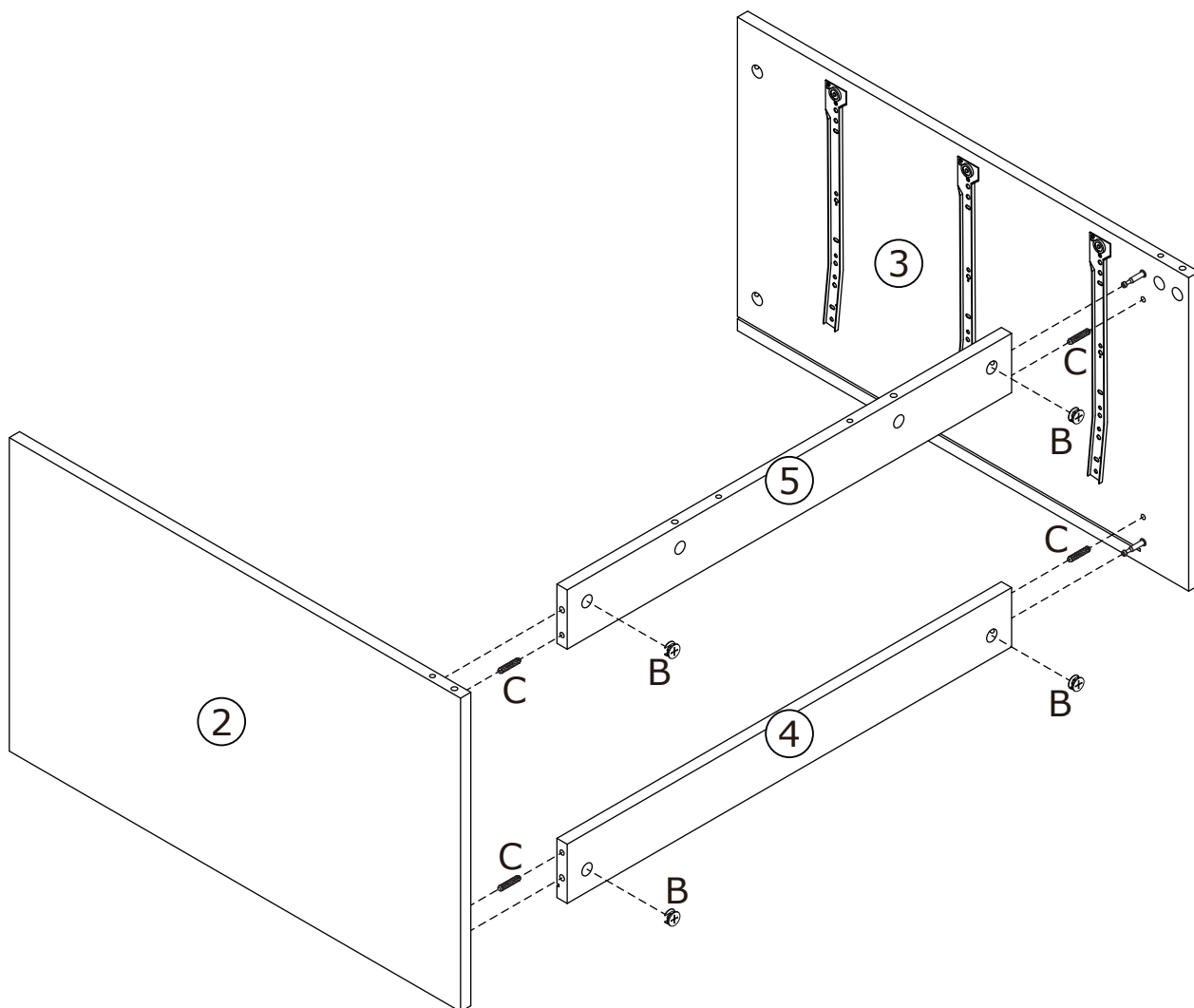
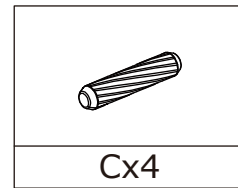
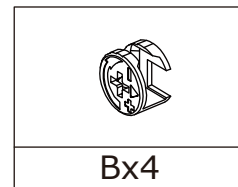
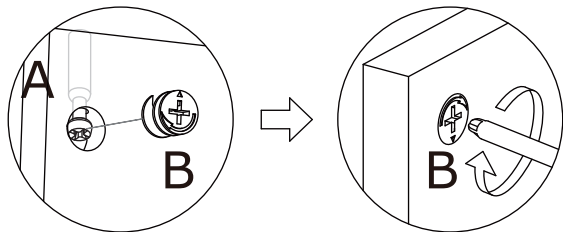
			
Cam Bolt	Cam Lock	Ø6x30mm Dowel	M4x30mm Screw
<b>(A)</b> 29pcs	<b>(B)</b> 29pcs	<b>(C)</b> 10pcs	<b>(D)</b> 15pcs
			
M3x12mm Screw		M4x16mm Screw	
<b>(E)</b> 36pcs	<b>(F)</b> 3pcs	<b>(G)</b> 6pcs	<b>(H)</b> 6pcs
			
M3x16mm Screw		M4x14mm Screw	
<b>(J)</b> 6pcs	<b>(K)</b> 2pcs	<b>(L)</b> 2pcs	<b>(M)</b> 2pcs
			
M4x40mm Screw			
<b>(N)</b> 2pcs	<b>(CL)</b> 3pcs	<b>(DL)</b> 3pcs	<b>(CR)</b> 3pcs
	 <p><b>!</b> you will find "CL/CR/DL/DR" steel remark on the drawer slider .</p>		
<b>(DR)</b> 3pcs			

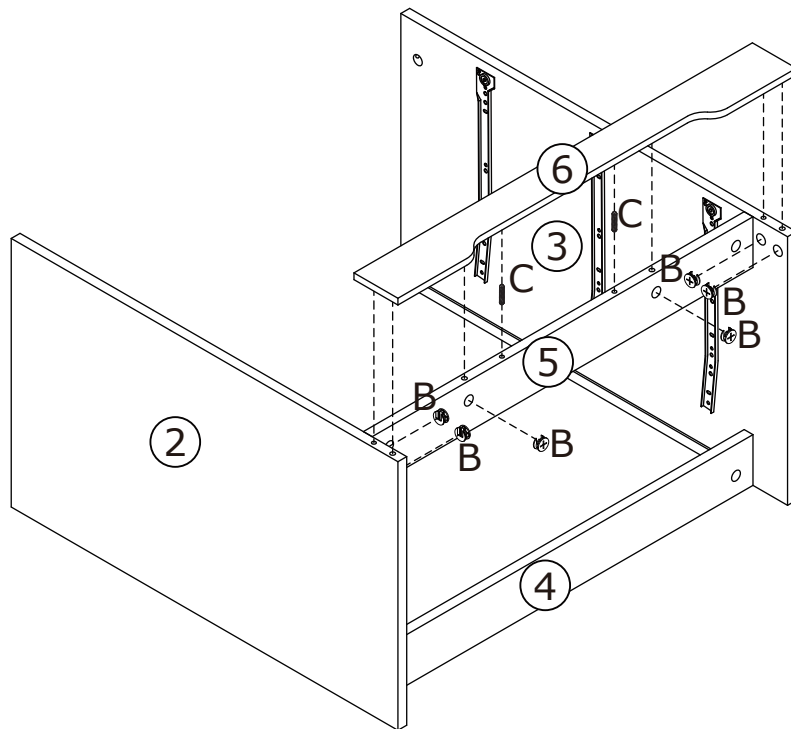
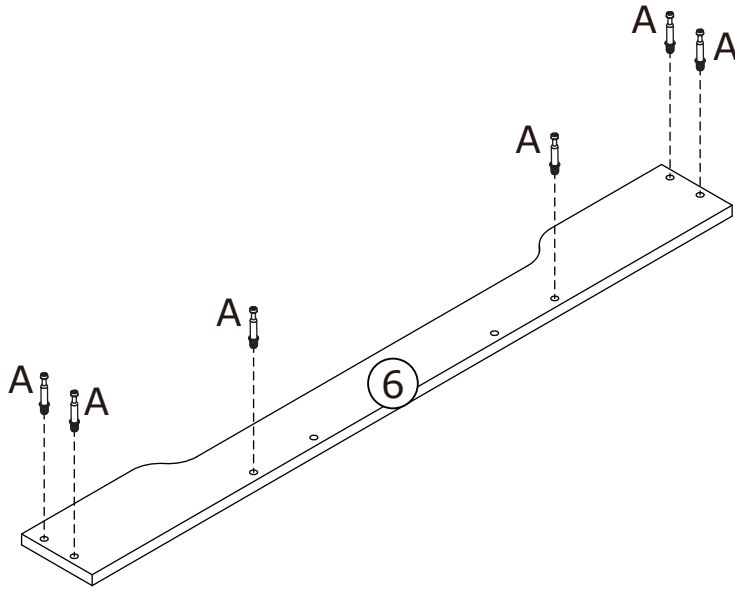
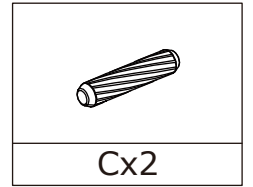
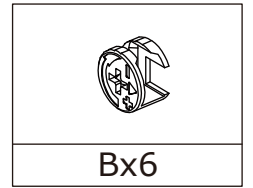
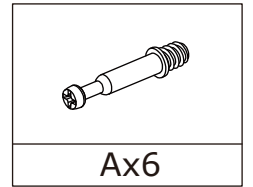
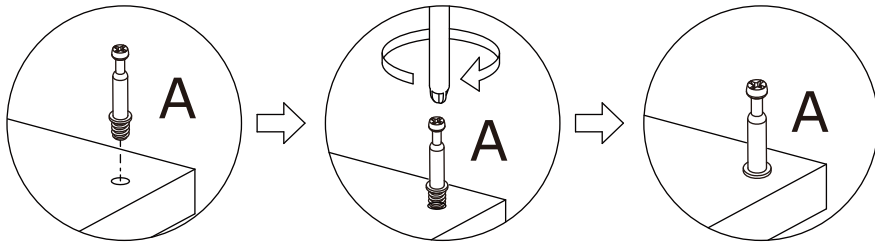
## General instructions to assemble connecting pieces

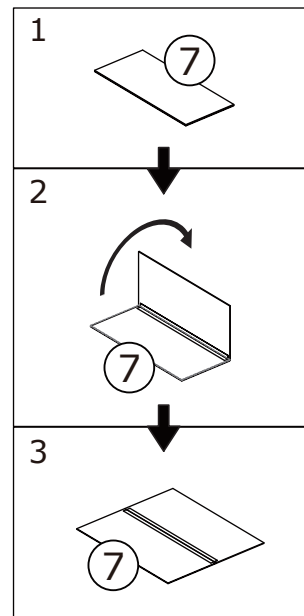
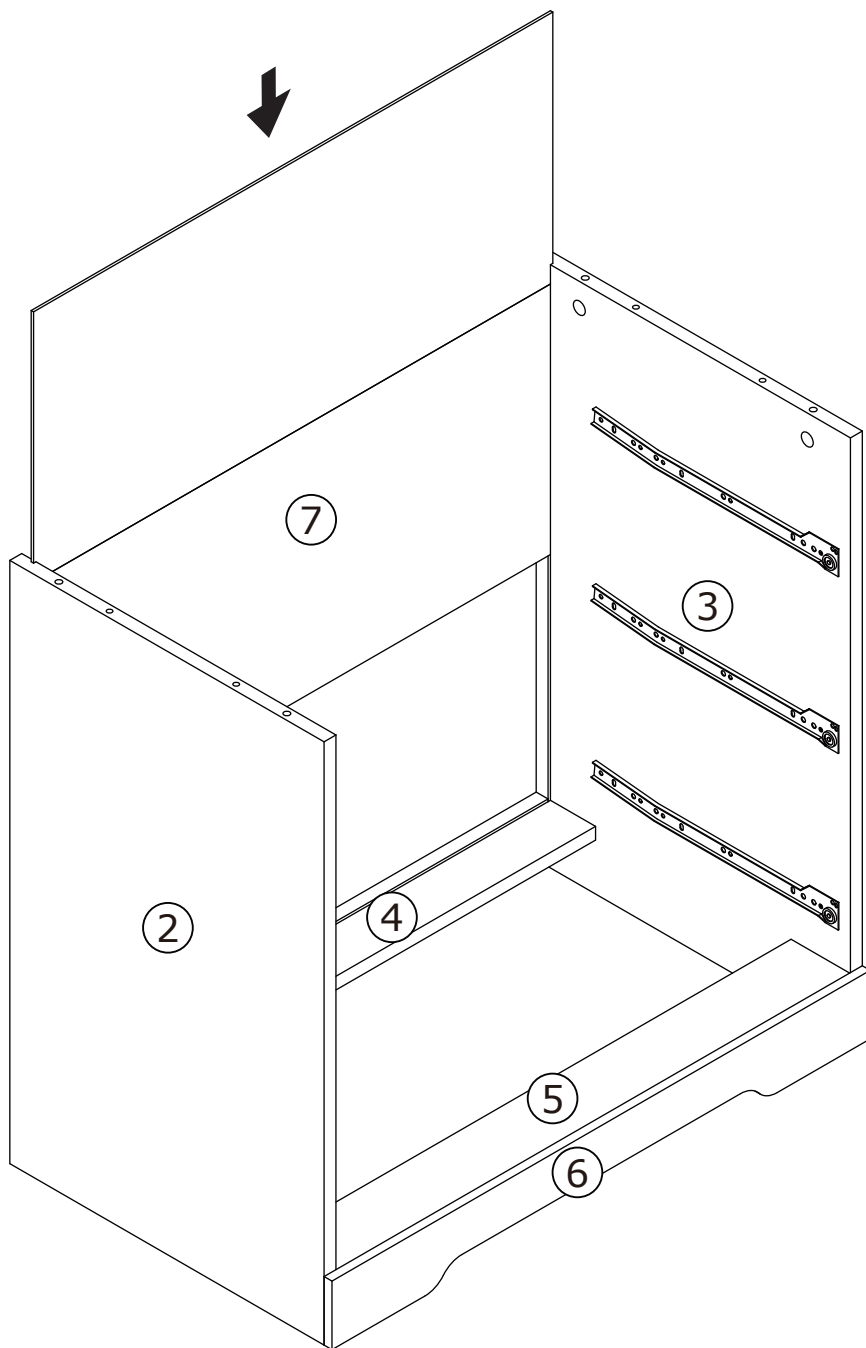
			
Gently screw cam bolt into the threaded anchor.	Insert the wood dowel halfway into hole.	Arrow must face hole	Screw the camlock firmly into locked position.

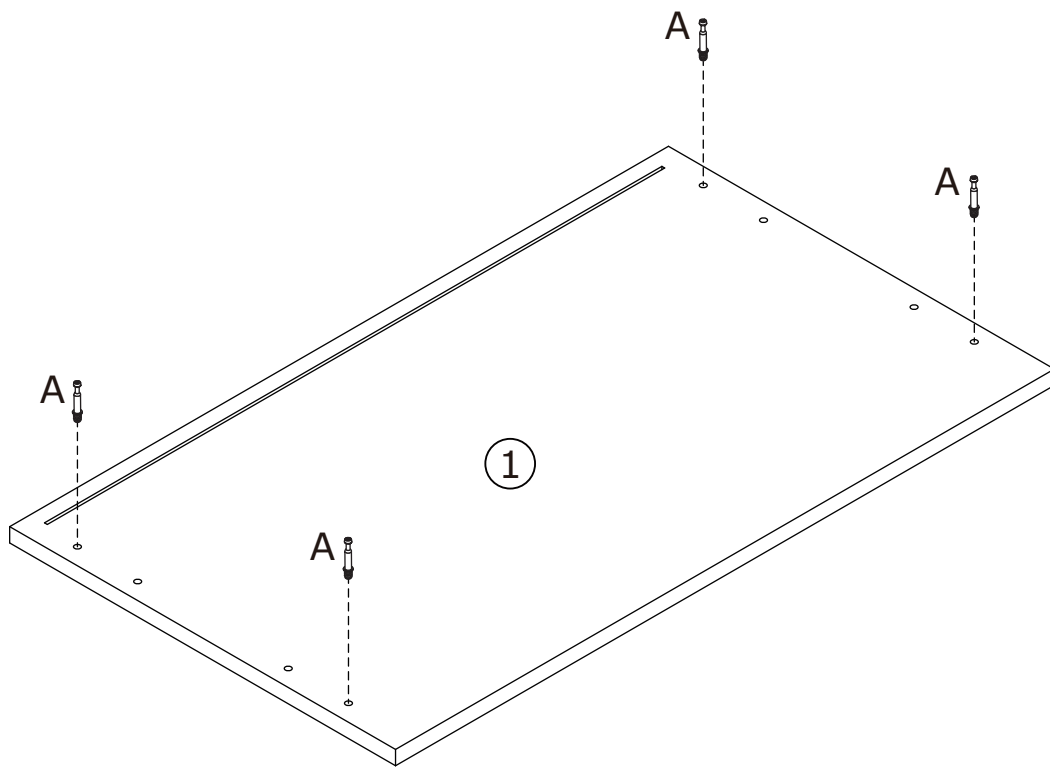
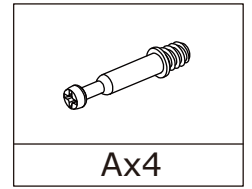
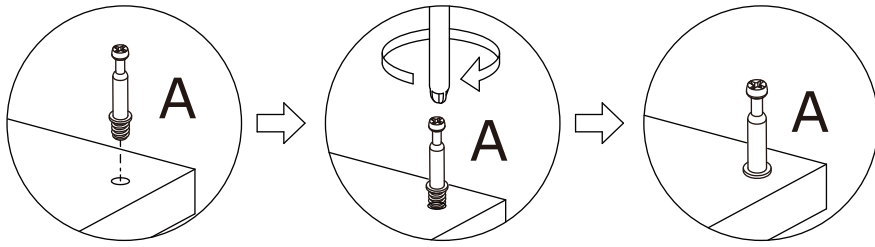


**!** you will find "CL/CR/DL/DR" steel remark on the drawer slider .





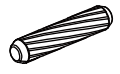




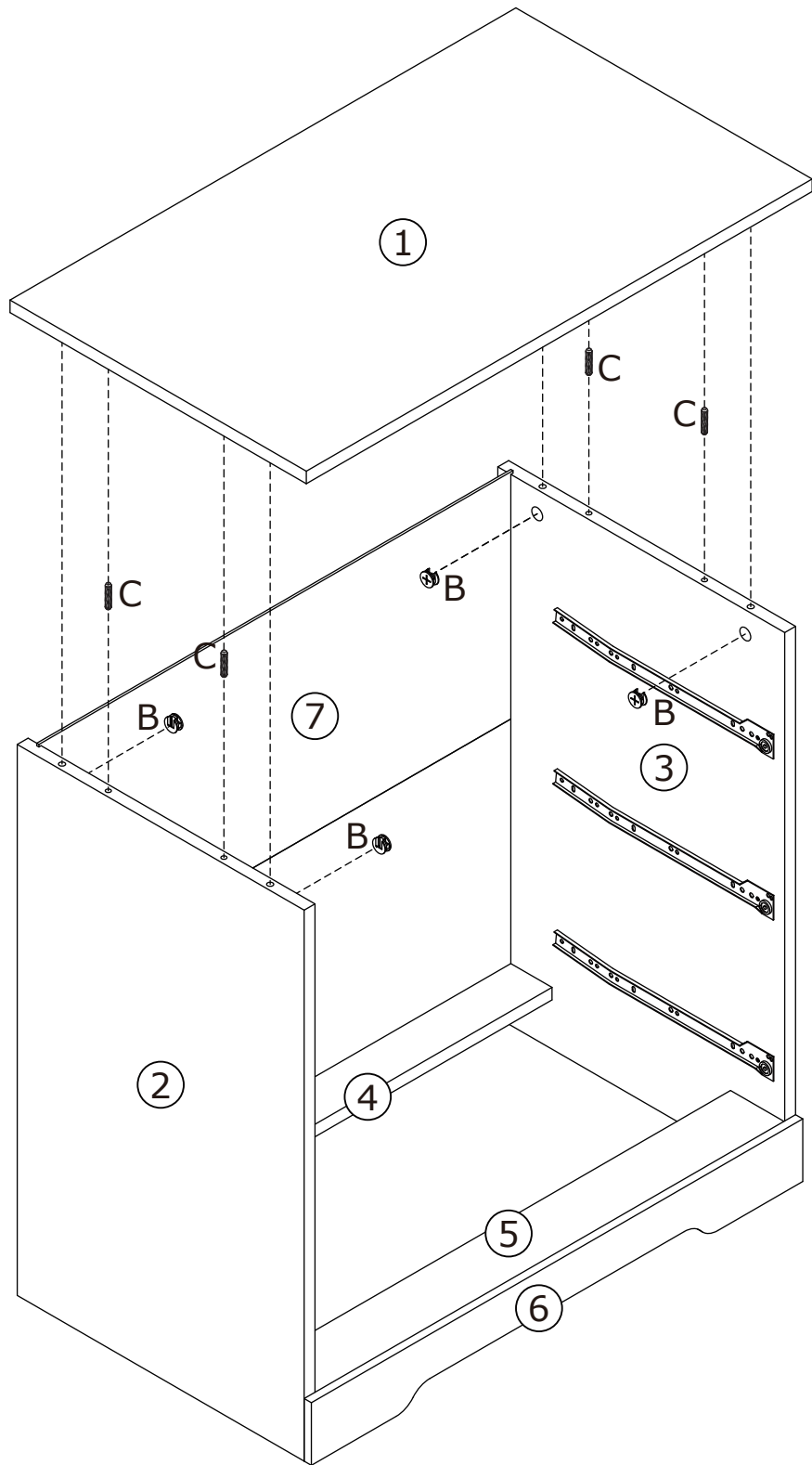


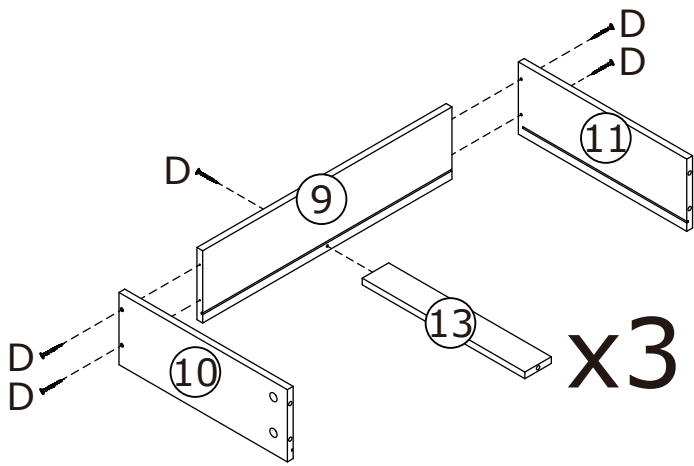


Bx4

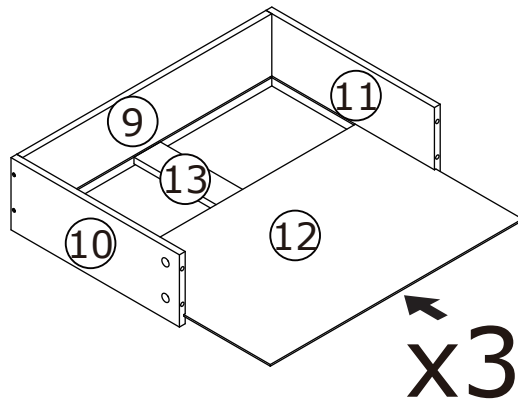


Cx4

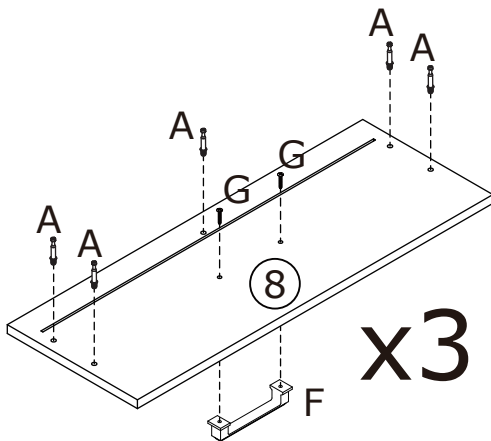




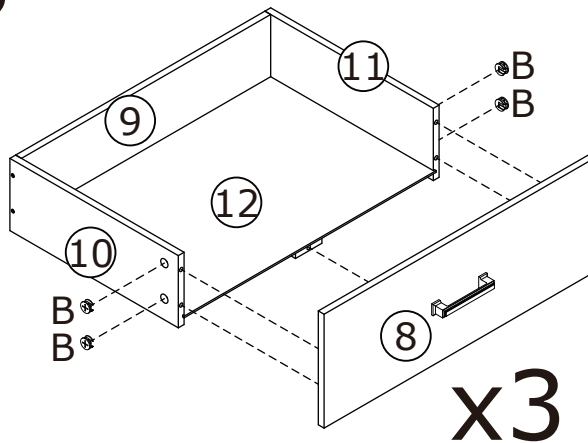
x3



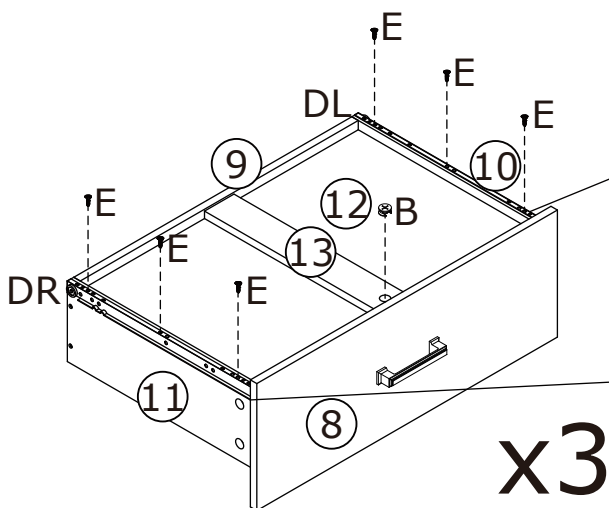
x3



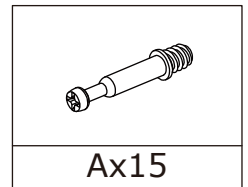
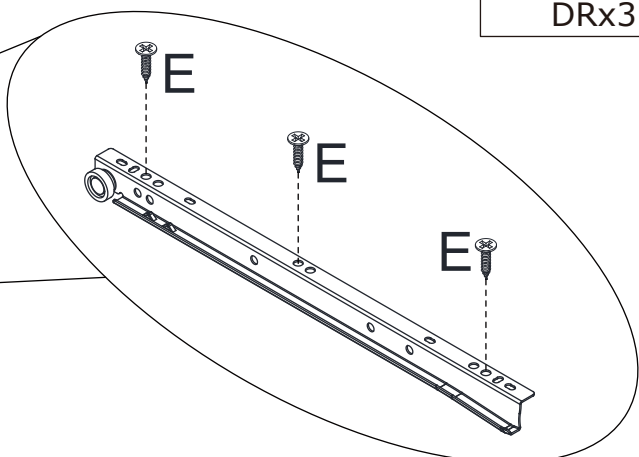
x3



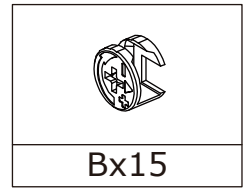
x3



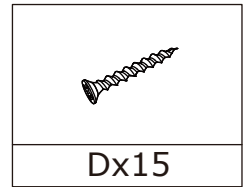
x3



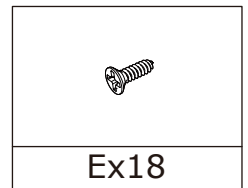
Ax15



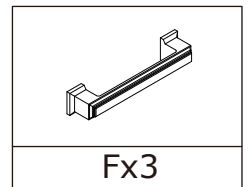
Bx15



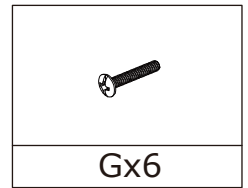
Dx15



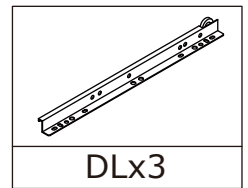
Ex18



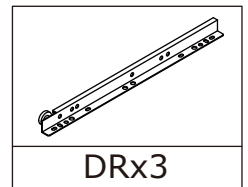
Fx3



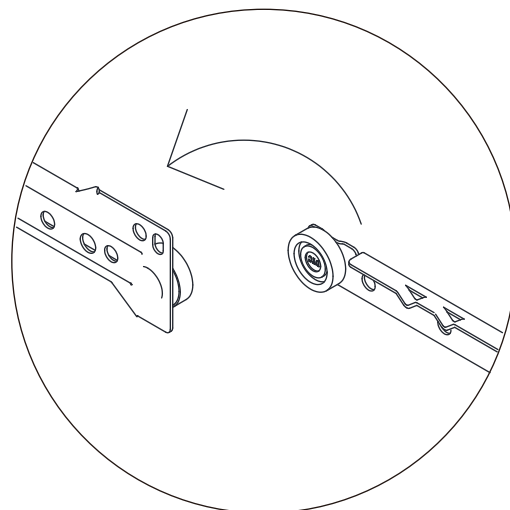
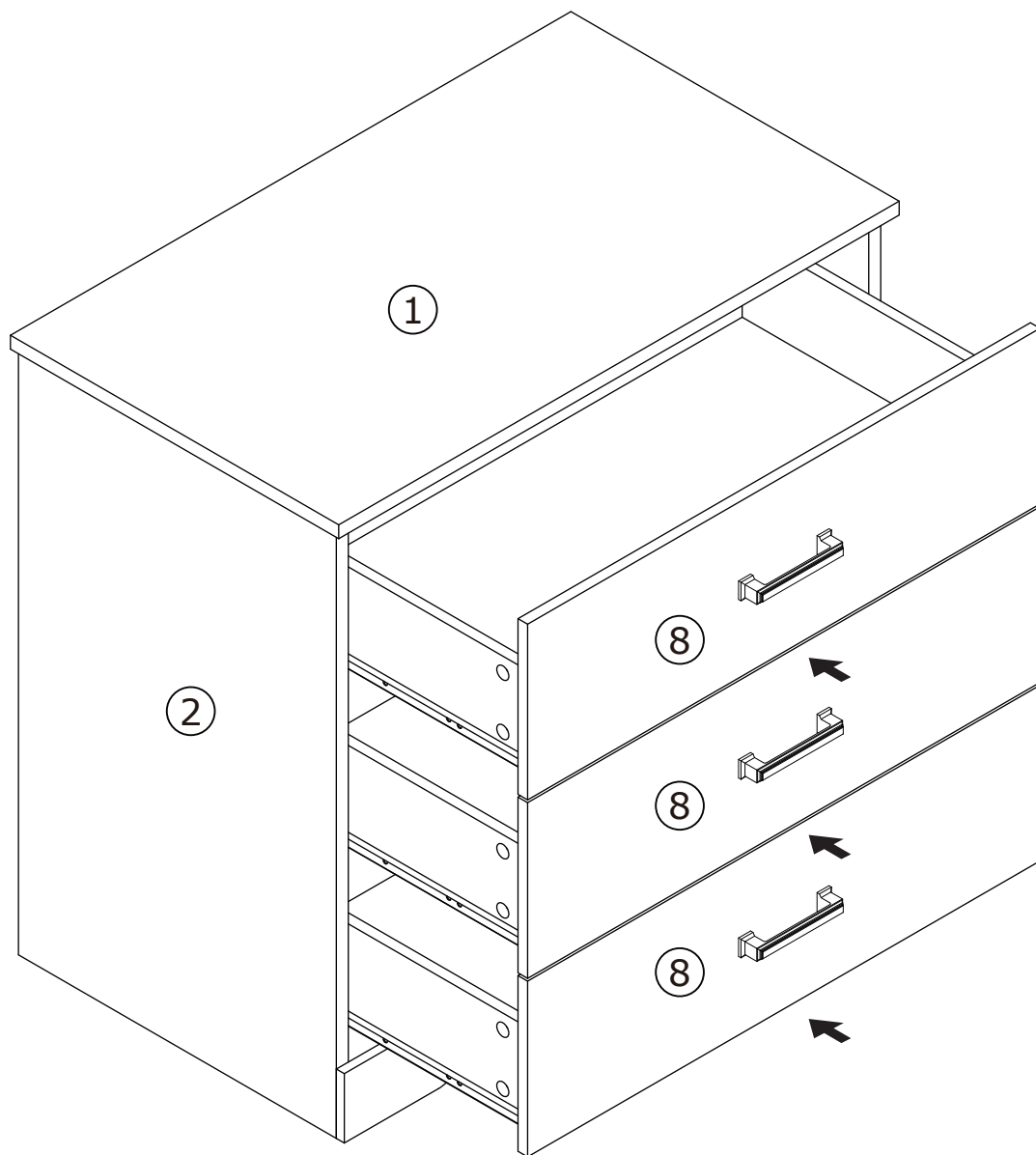
Gx6

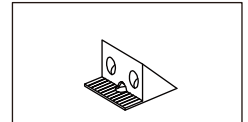
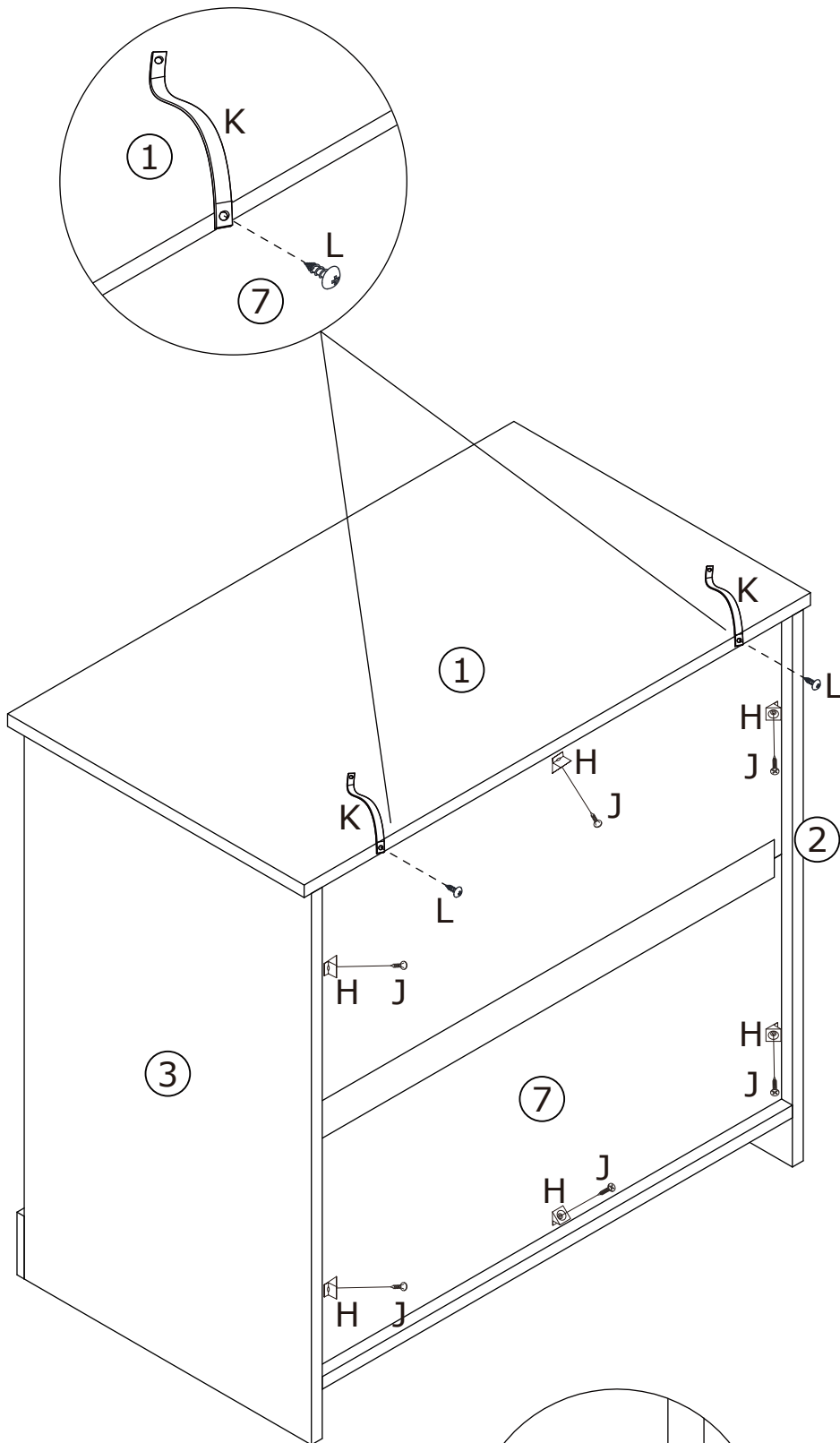


DLx3

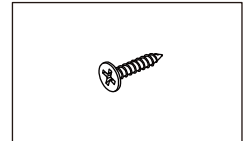


DRx3

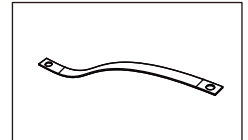




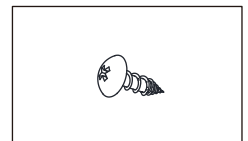
Hx6



Jx6



Kx2



Lx2

