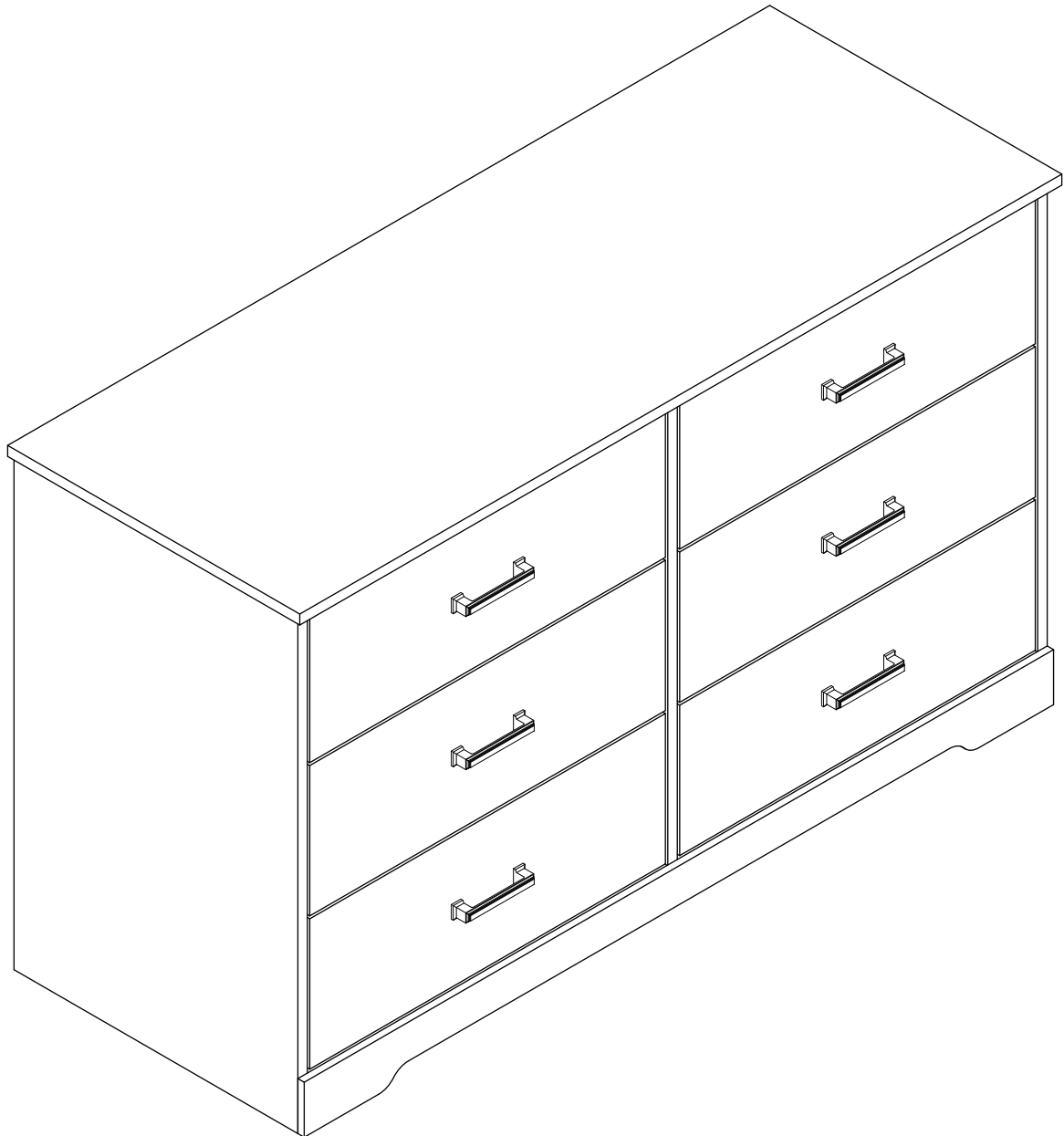
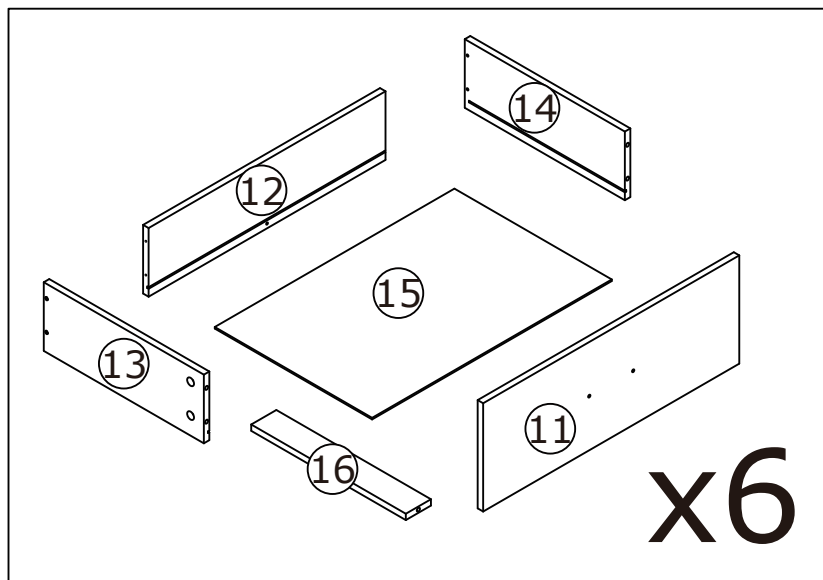
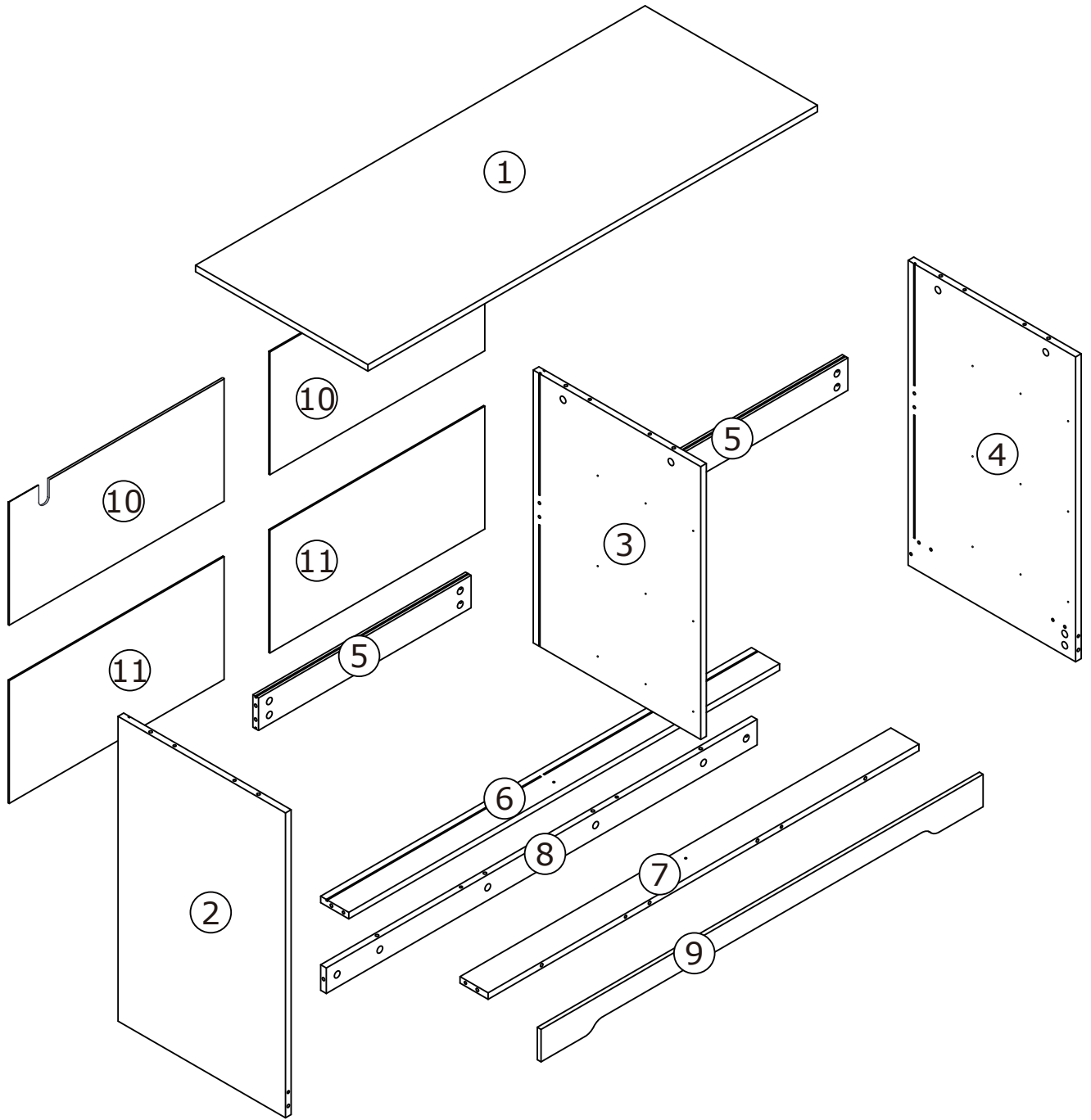


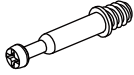




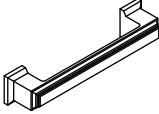

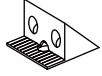

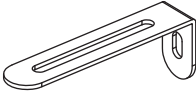
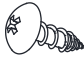


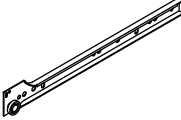
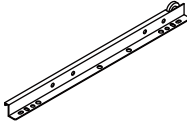
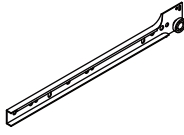
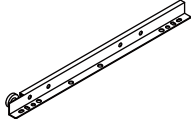
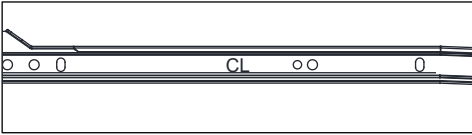
Assembly Instructions

6 Drawer Farmhouse Dresser

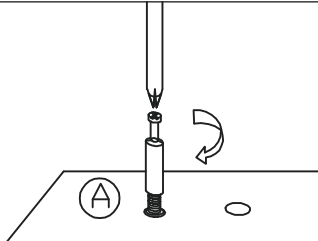
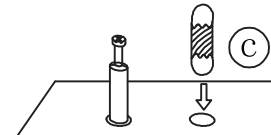
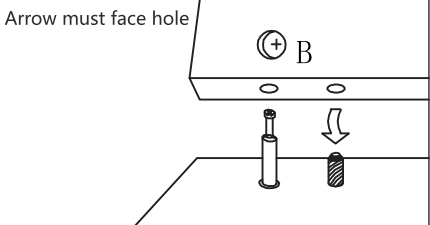
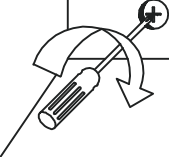


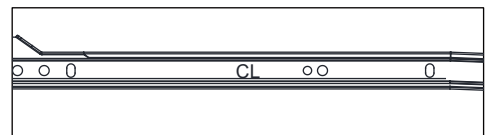
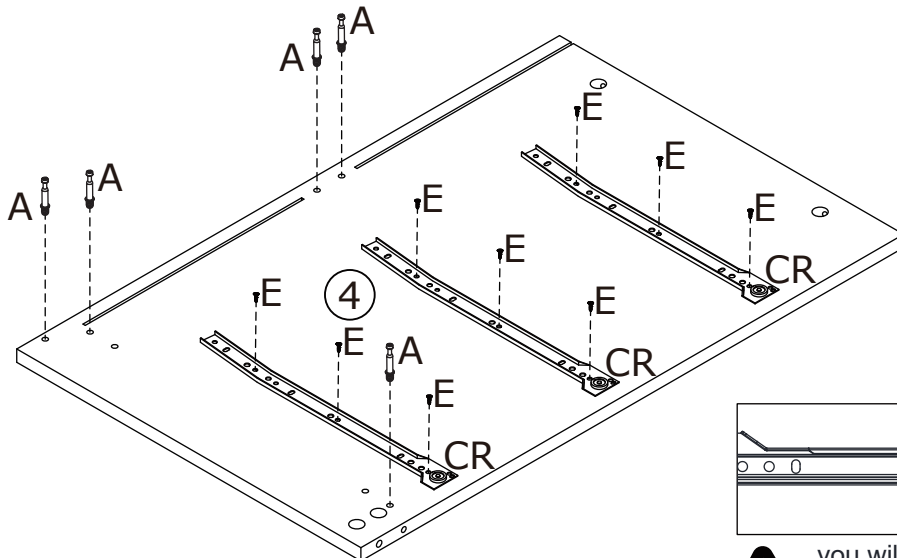
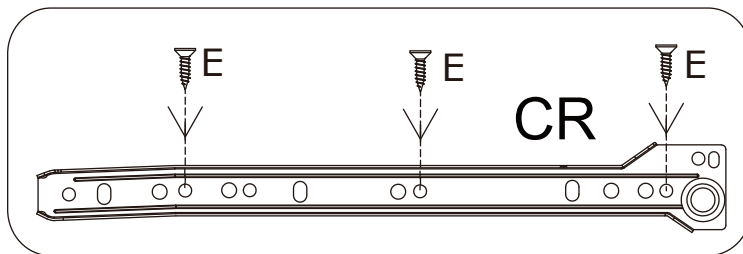
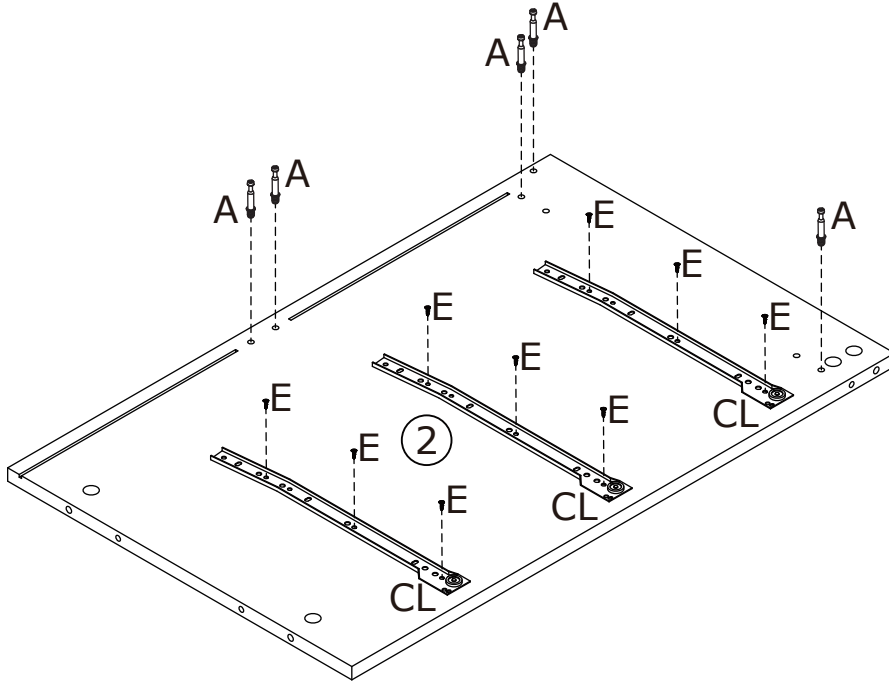
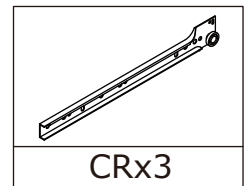
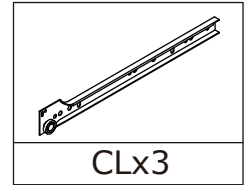
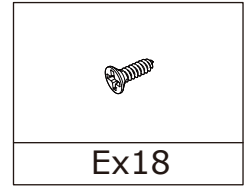
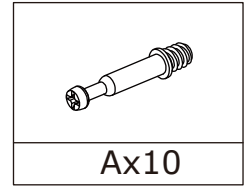
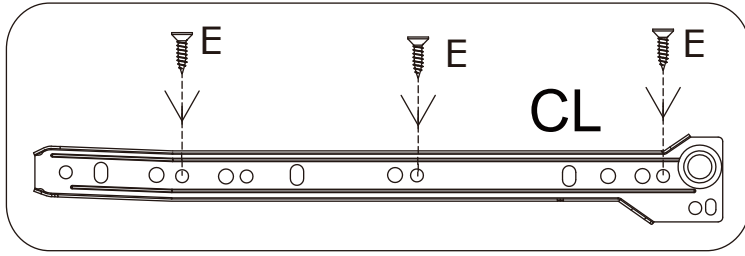


Hardware

			
Cam Bolt	Cam Lock	Ø6x30mm Dowel	M4x30mm Screw
(A) 62pcs	(B) 62pcs	(C) 14pcs	(D) 30pcs
			
M3.5x12mm Screw		M4x16mm Screw	
(E) 72pcs	(F) 6pcs	(G) 12pcs	(H) 16pcs
			
M3x16mm Screw		M4x14mm Screw	
(J) 16pcs	(K) 2pcs	(L) 2pcs	(M) 2pcs
			
M4x40mm Screw			
(N) 4pcs	(CL) 6pcs	(DL) 6pcs	(CR) 6pcs
	 <p>! you will find "CL/CR/DL/DR" steel remark on the drawer slider .</p>		
(DR) 6pcs			

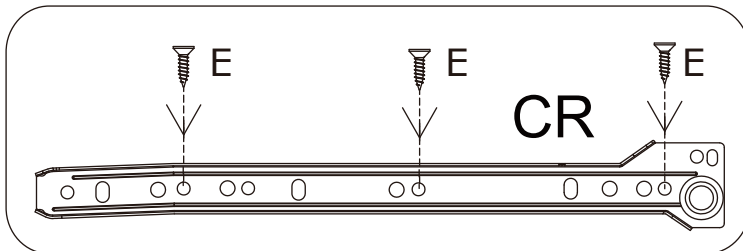
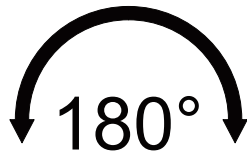
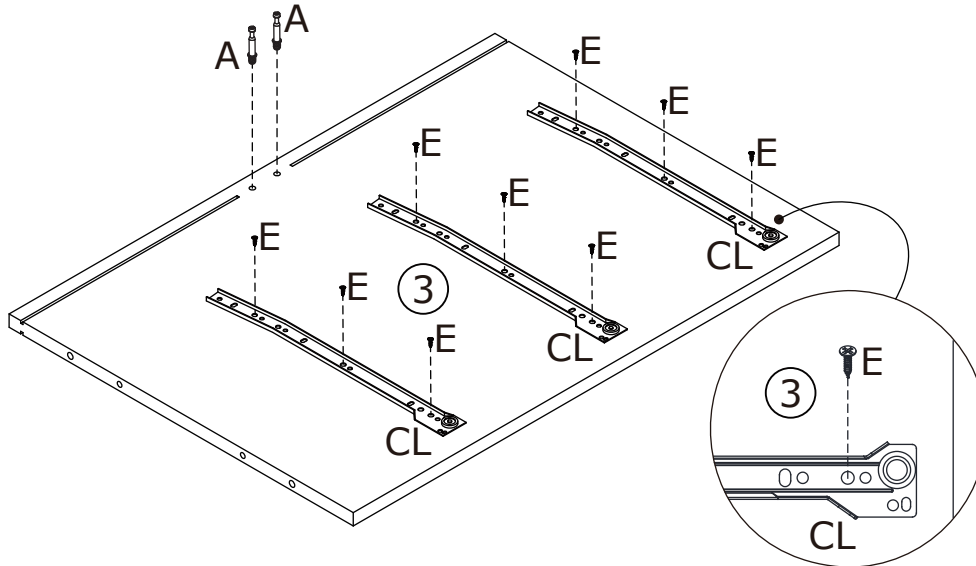
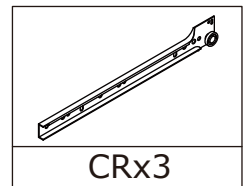
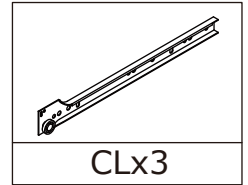
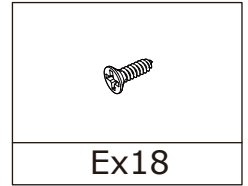
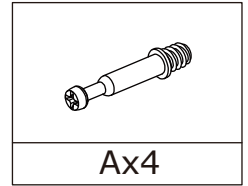
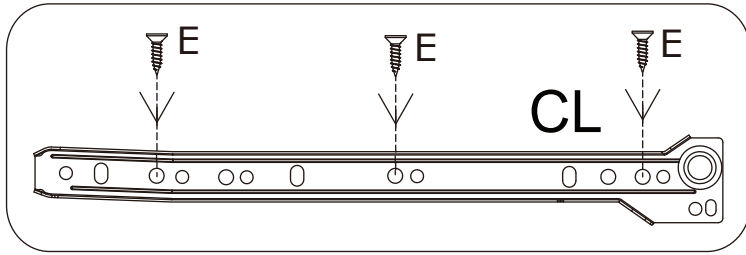
General instructions to assemble connecting pieces

			
Gently screw cam bolt into the threaded anchor.	Insert the wood dowel halfway into hole.	Arrow must face hole	Screw the camlock firmly into locked position.

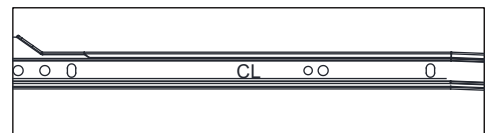
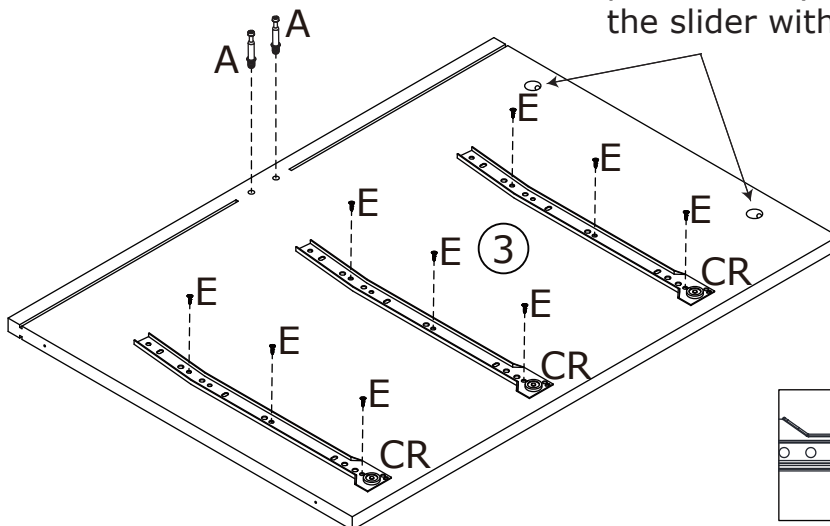



! you will find "CL/CR/DL/DR" steel remark on the drawer slider .

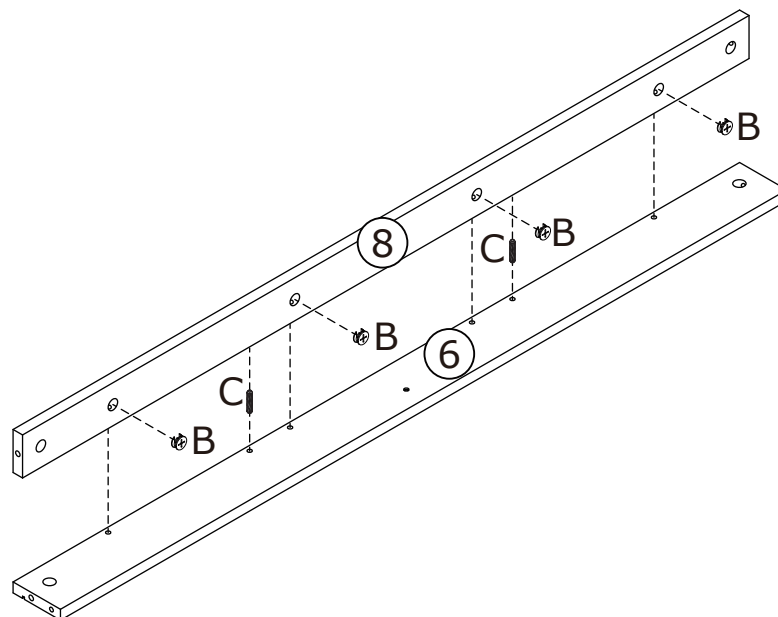
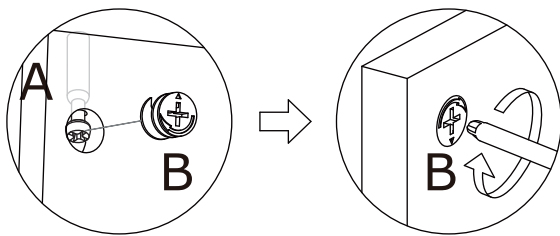
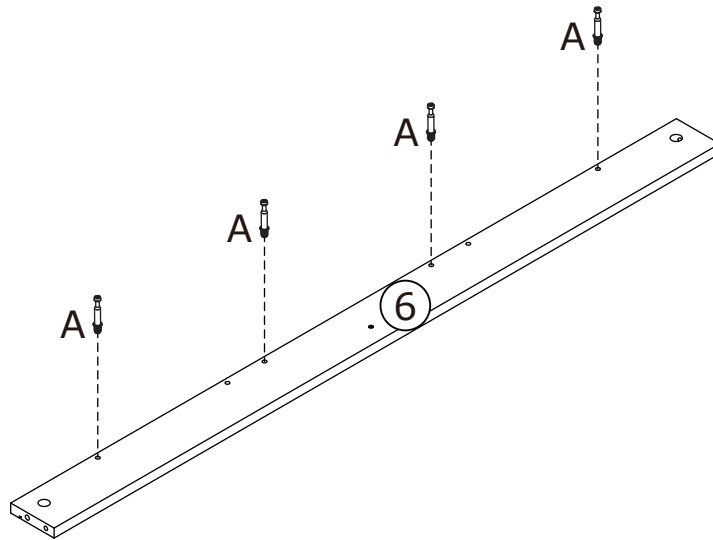
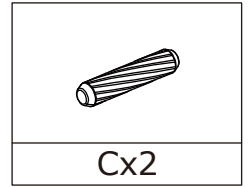
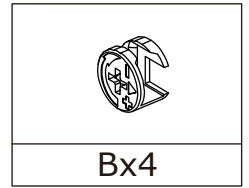
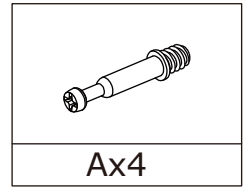
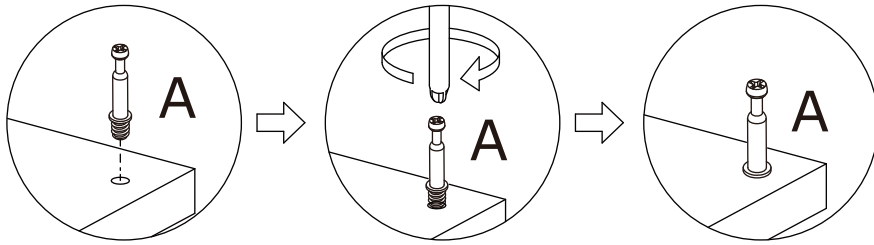
please note that it is #3 panel , but just showing its left and right side to assemble different sliders

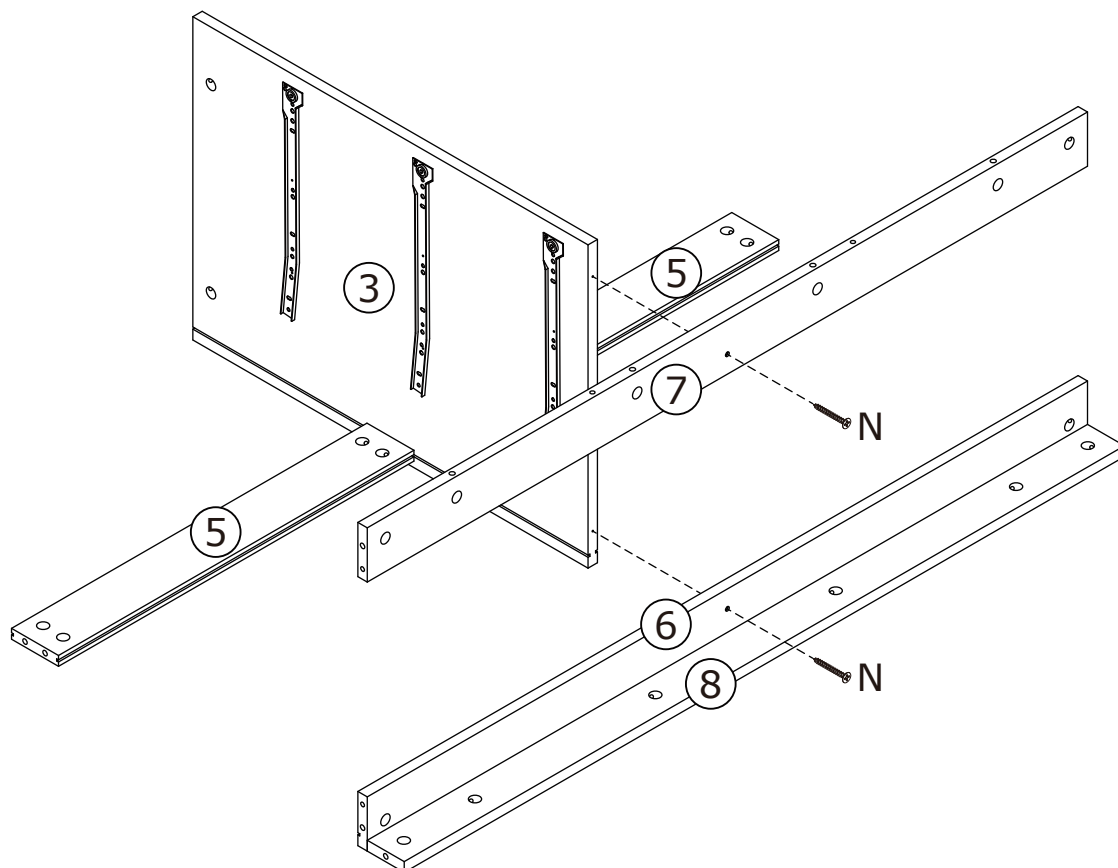
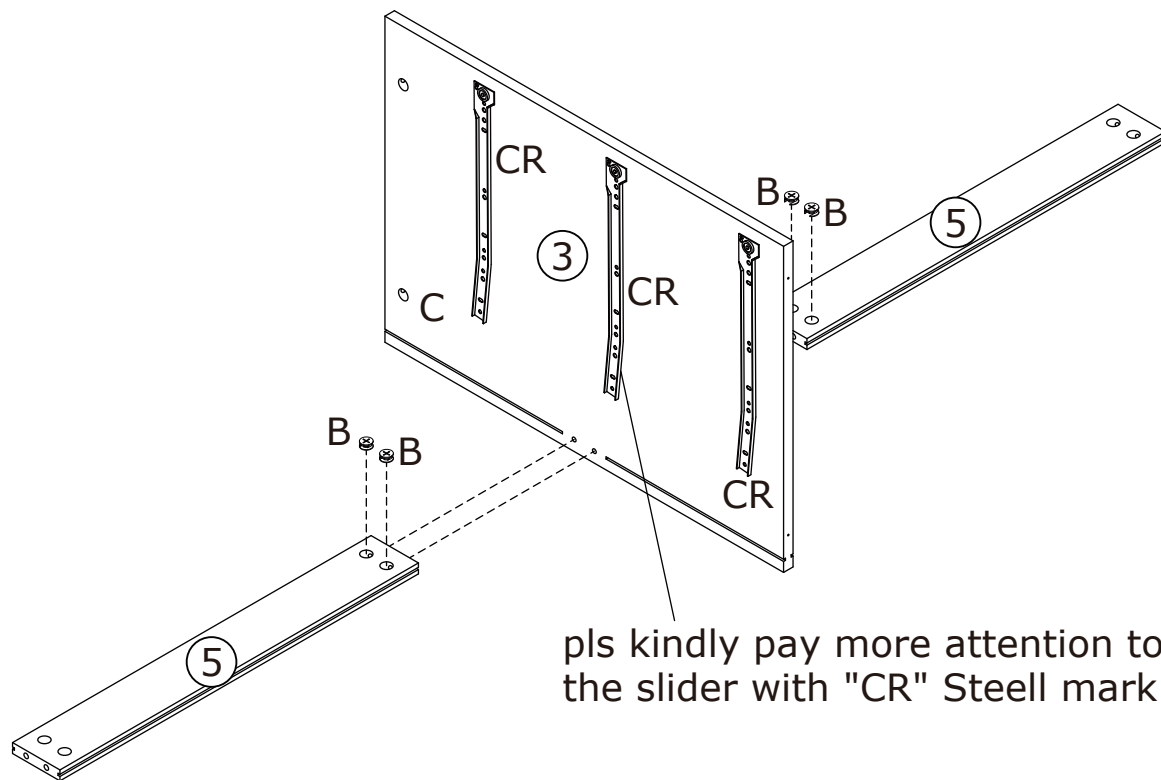
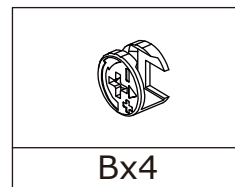
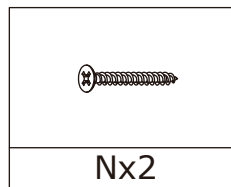
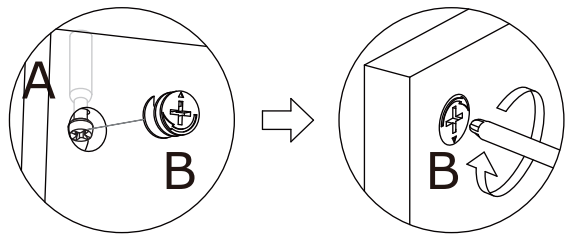


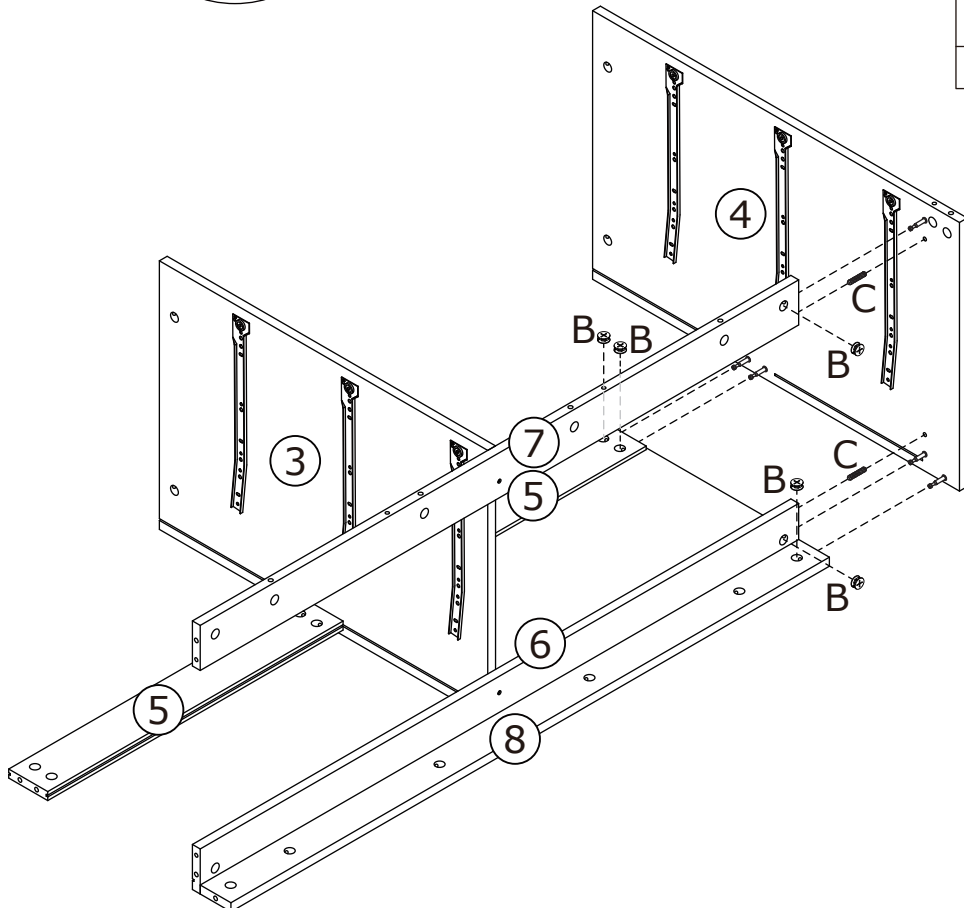
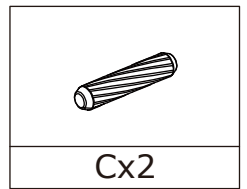
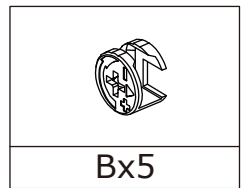
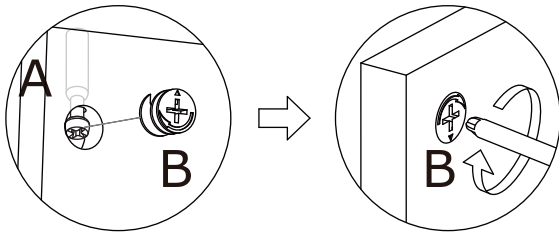
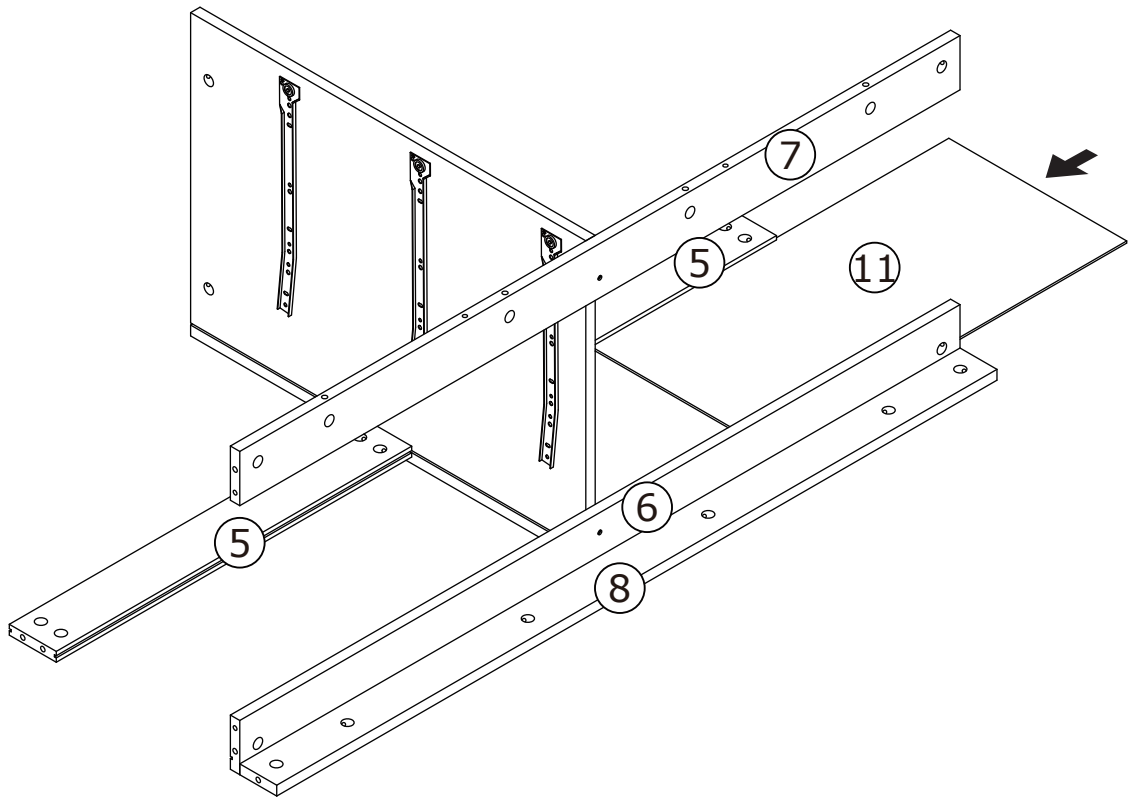
please kindly pay more attention to the slider with "CR" steel mark

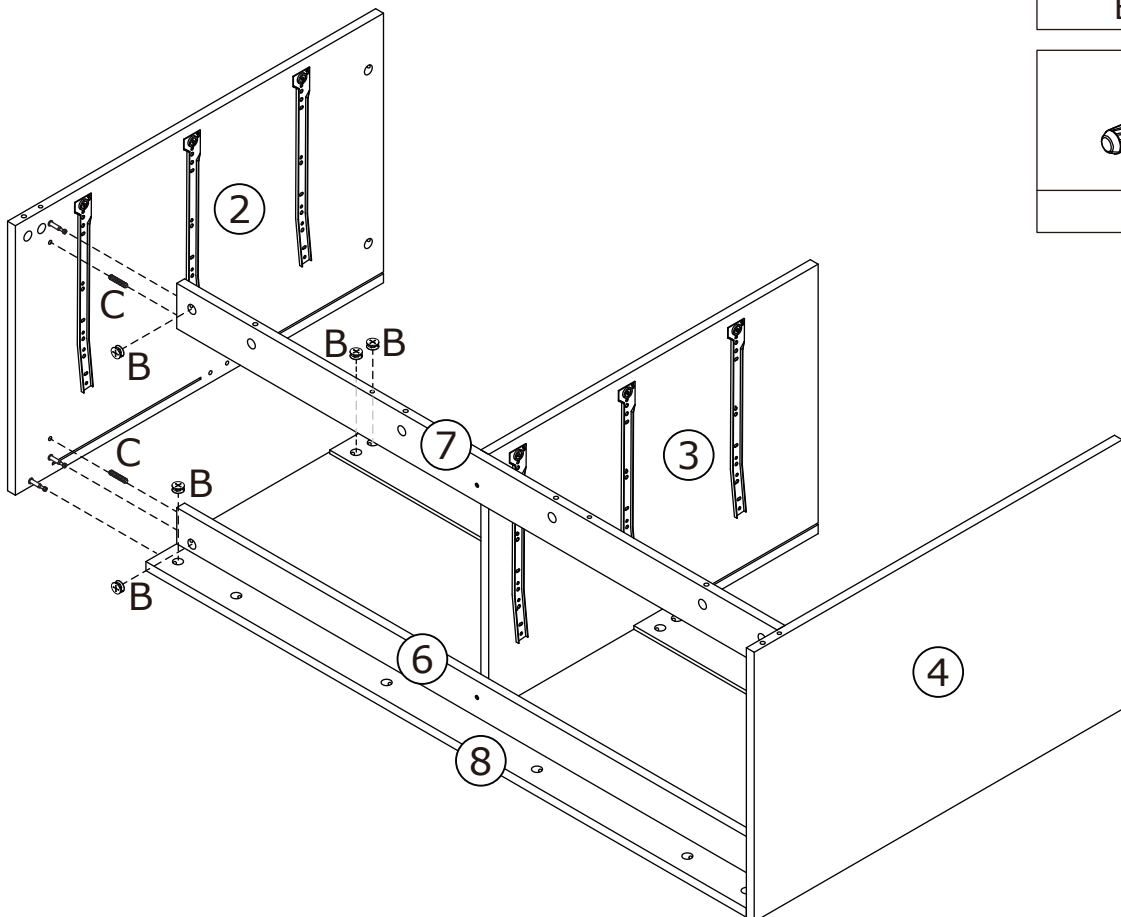
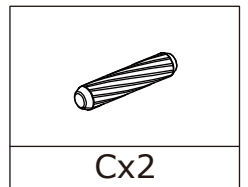
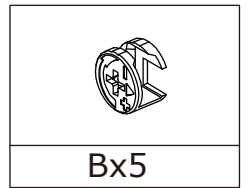
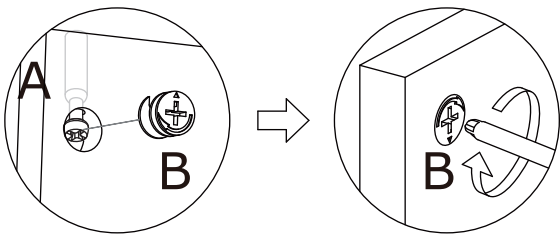
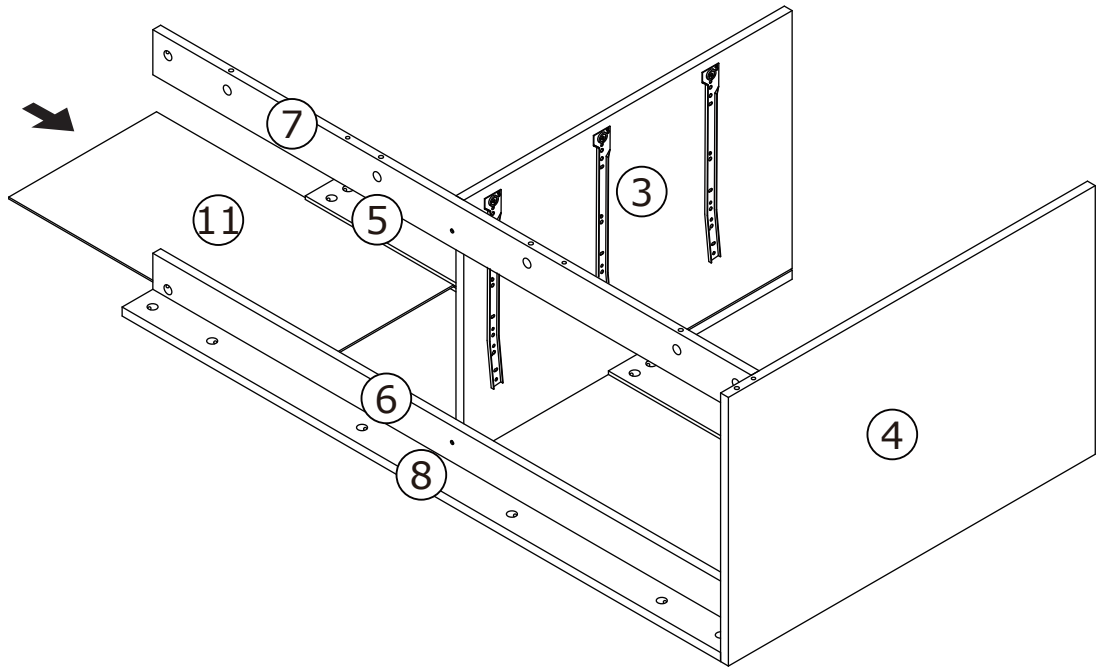


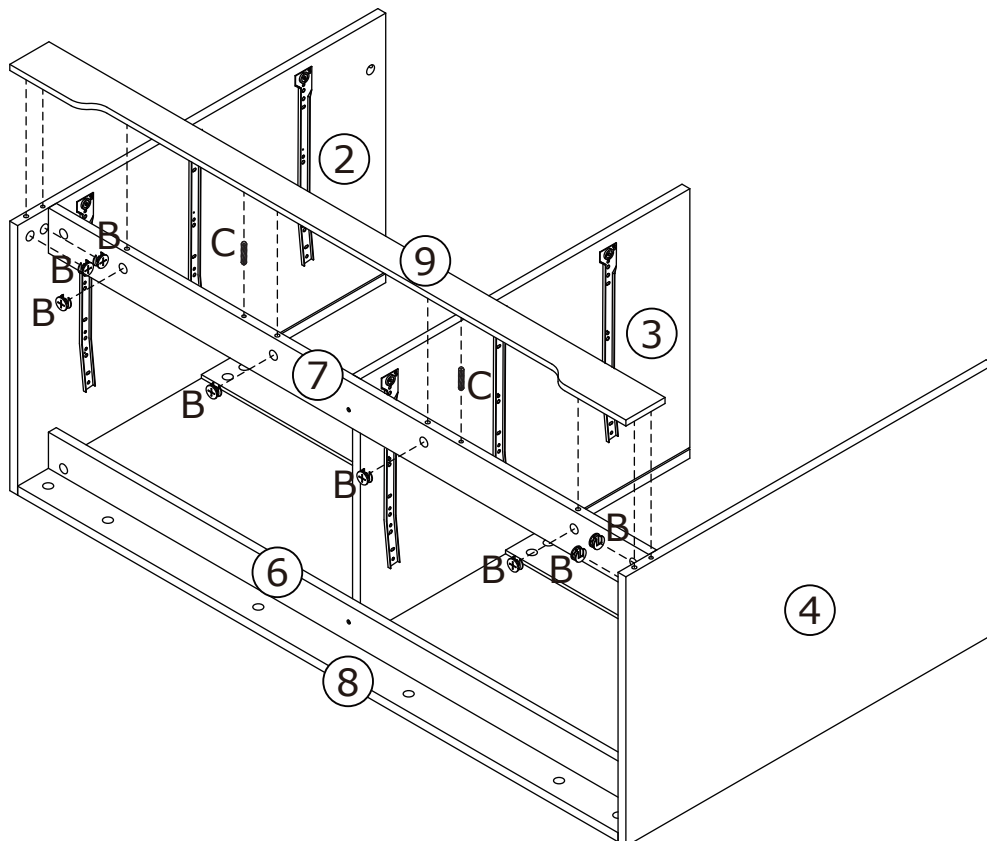
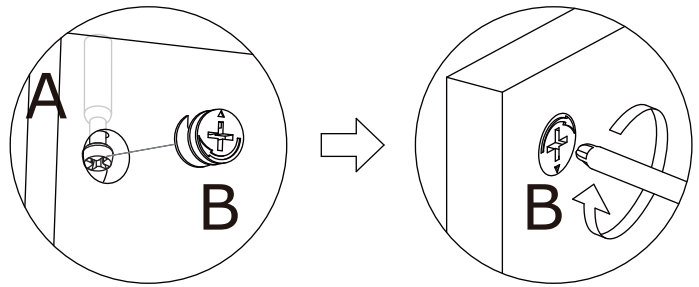
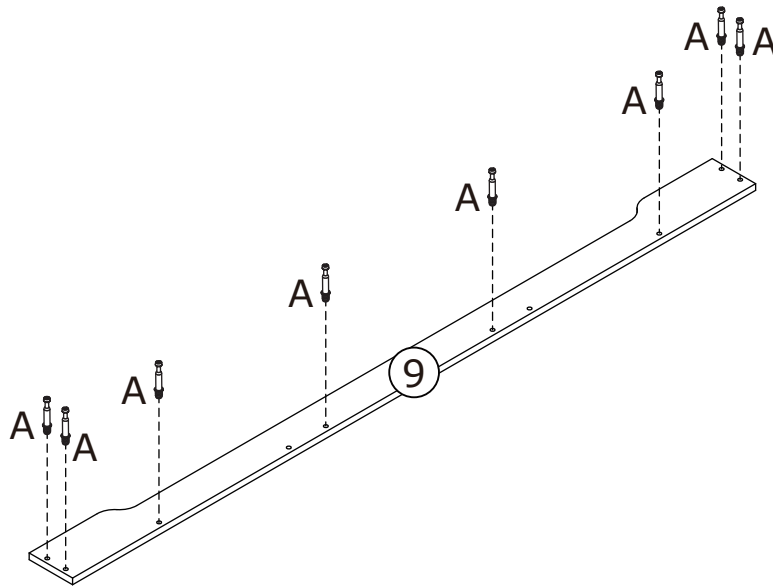
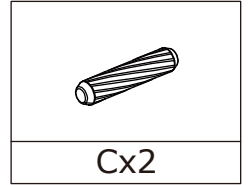
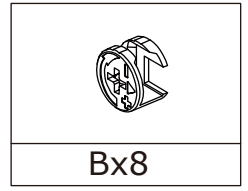
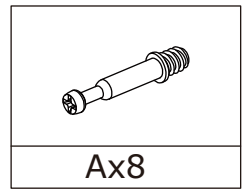
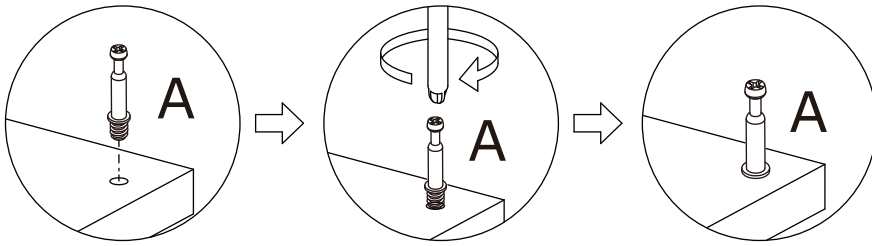
 you will find "CL/CR/DL/DR" steel remark on the drawer slider .

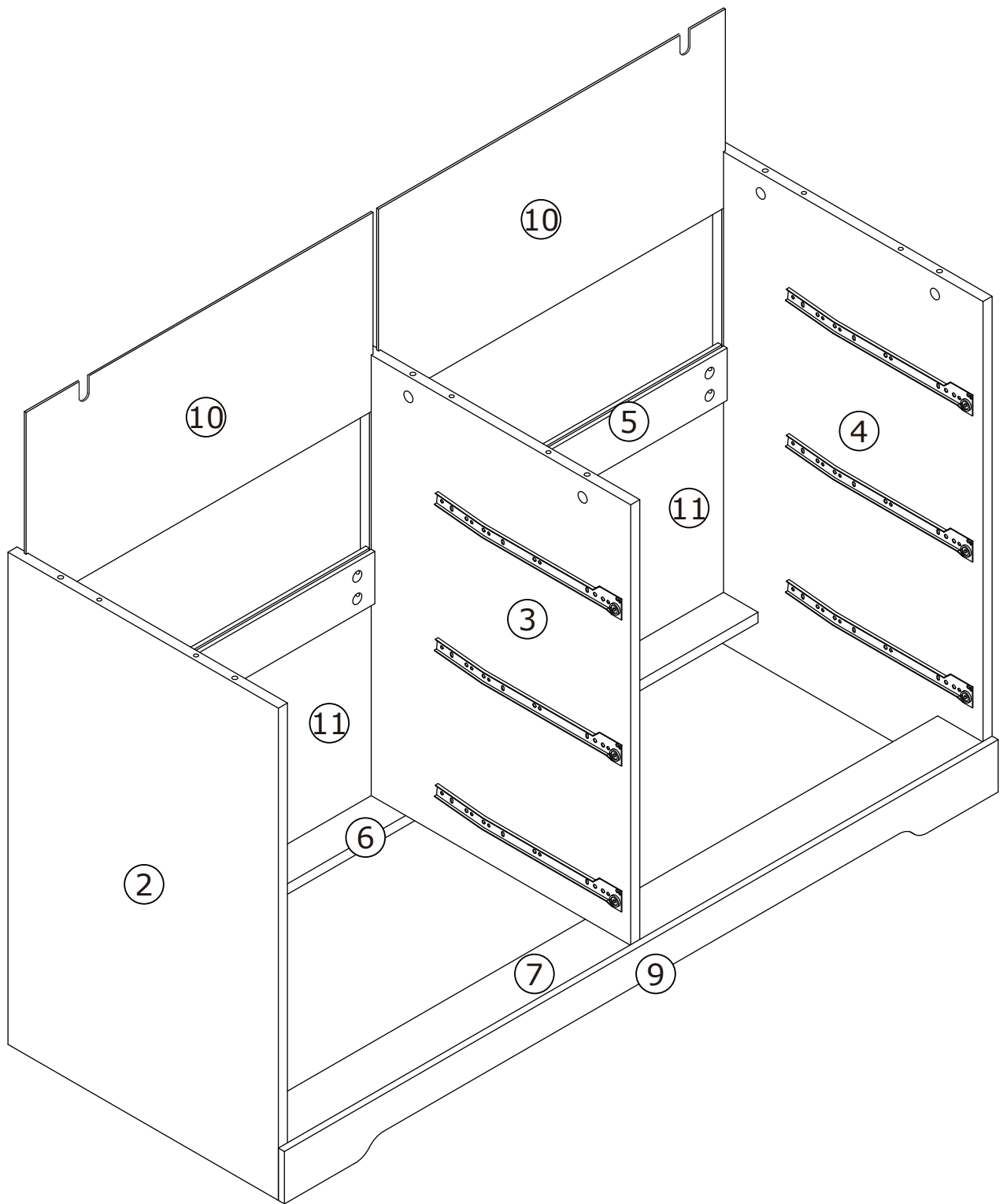


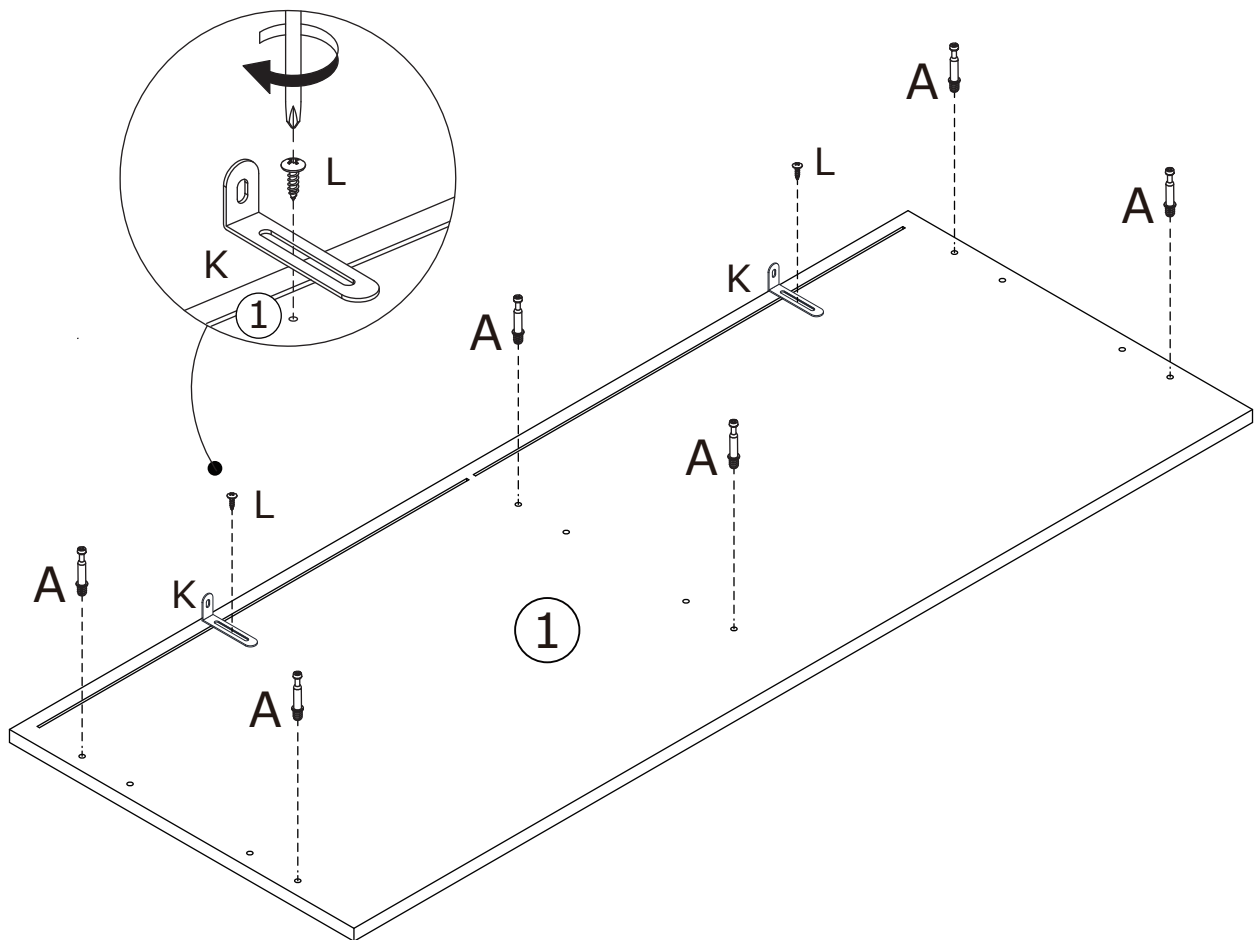
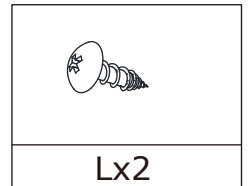
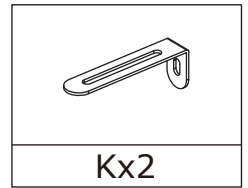
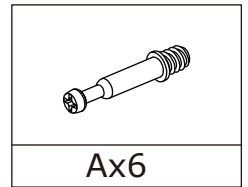
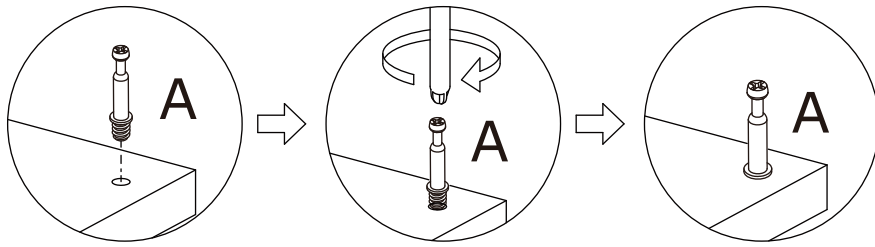


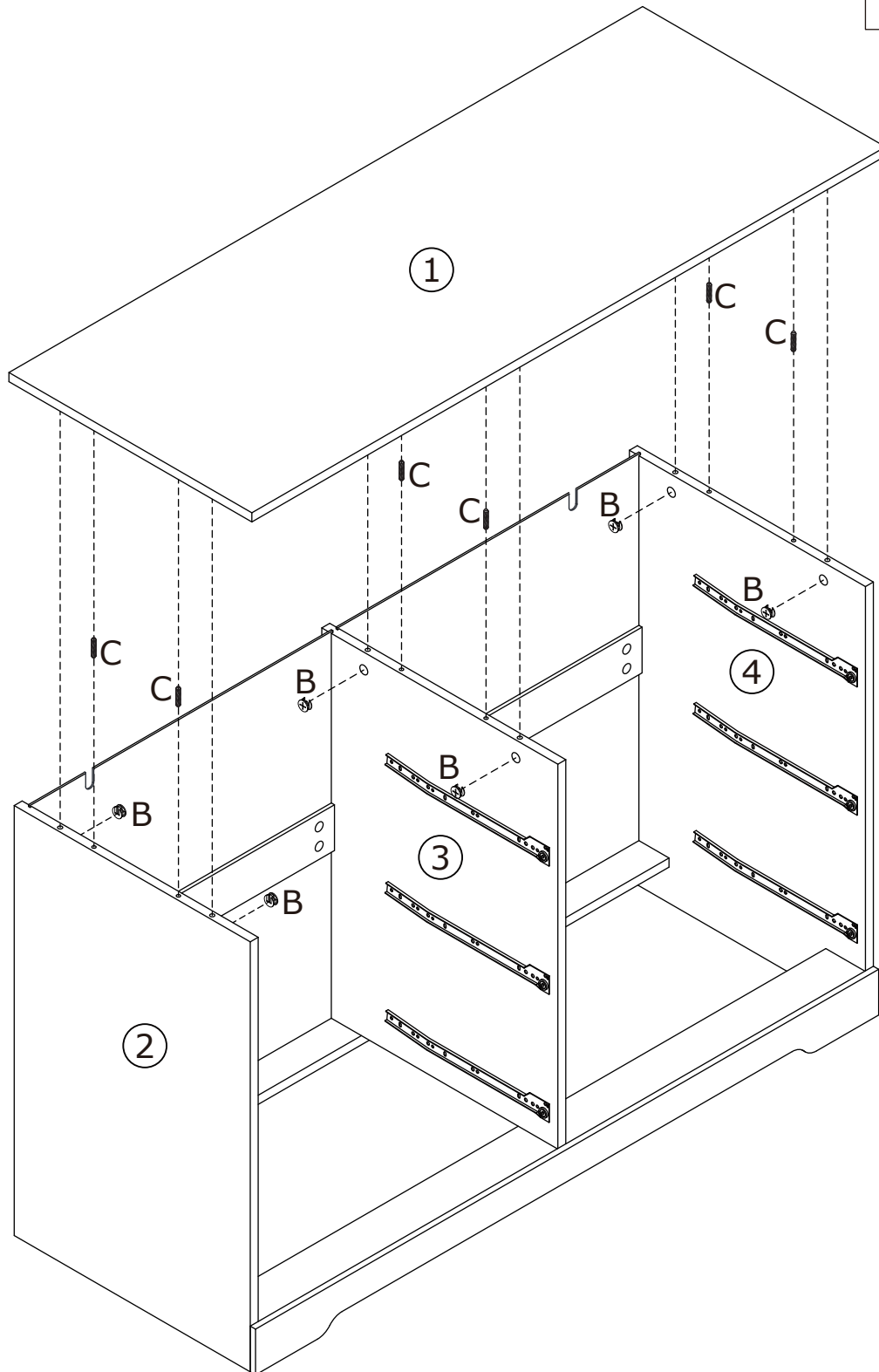
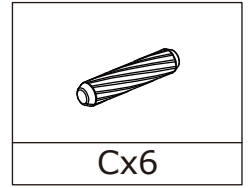
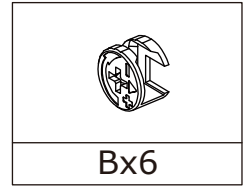
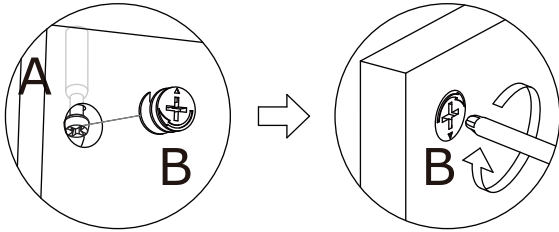


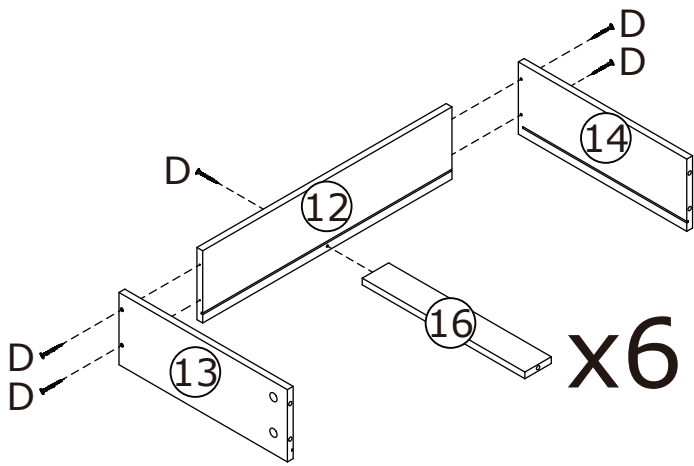




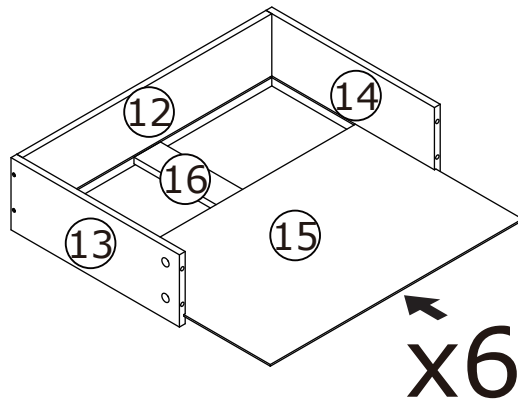




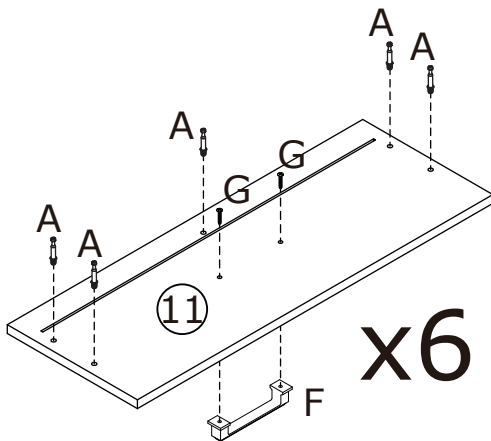




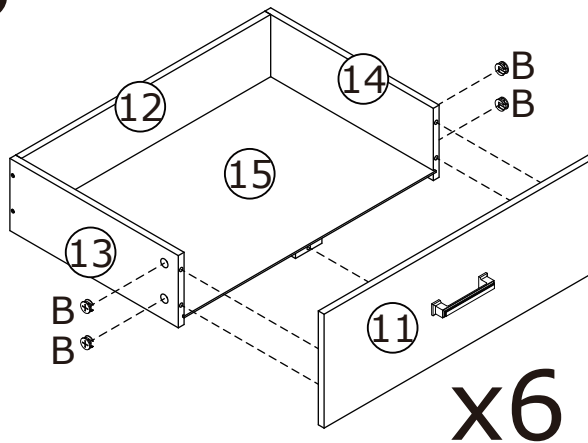
x6



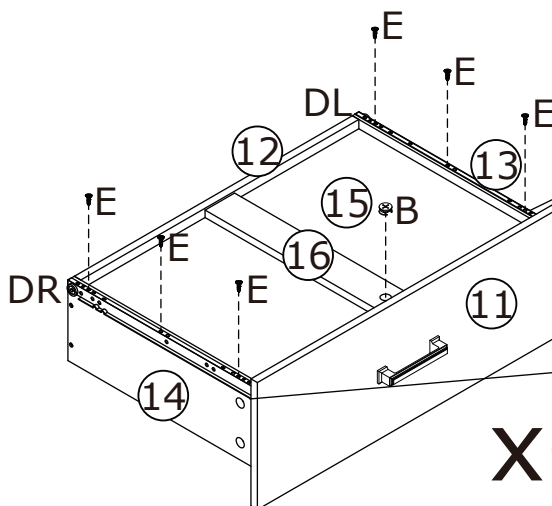
x6



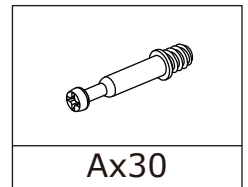
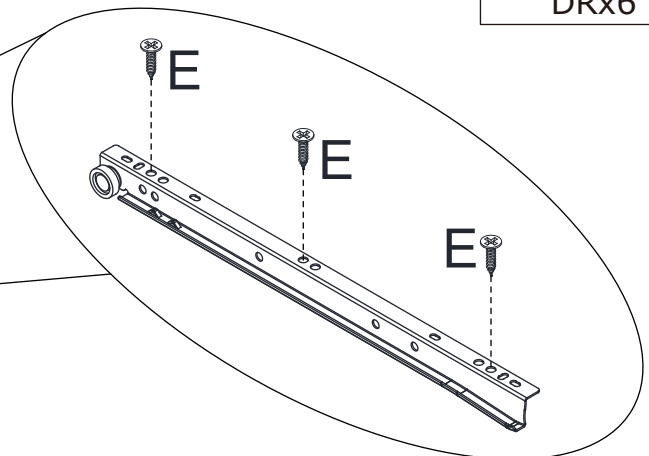
x6



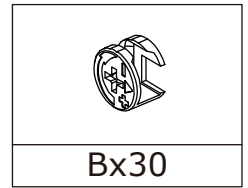
x6



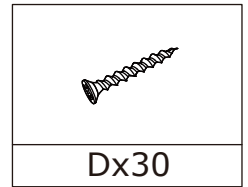
x6



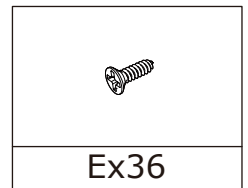
Ax30



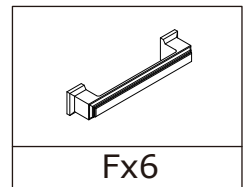
Bx30



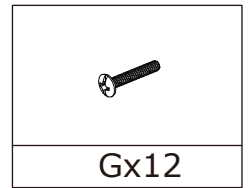
Dx30



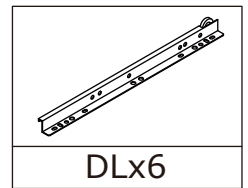
Ex36



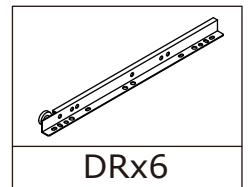
Fx6



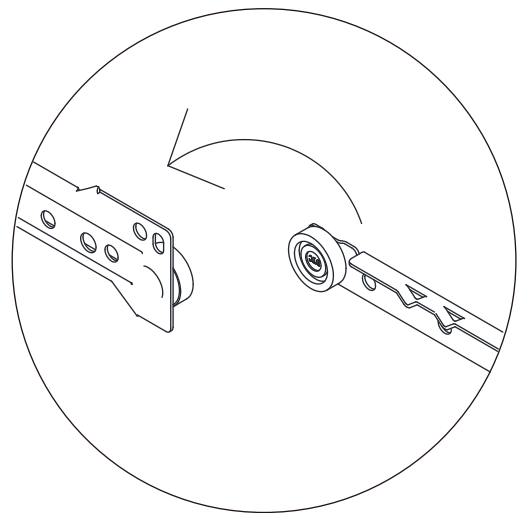
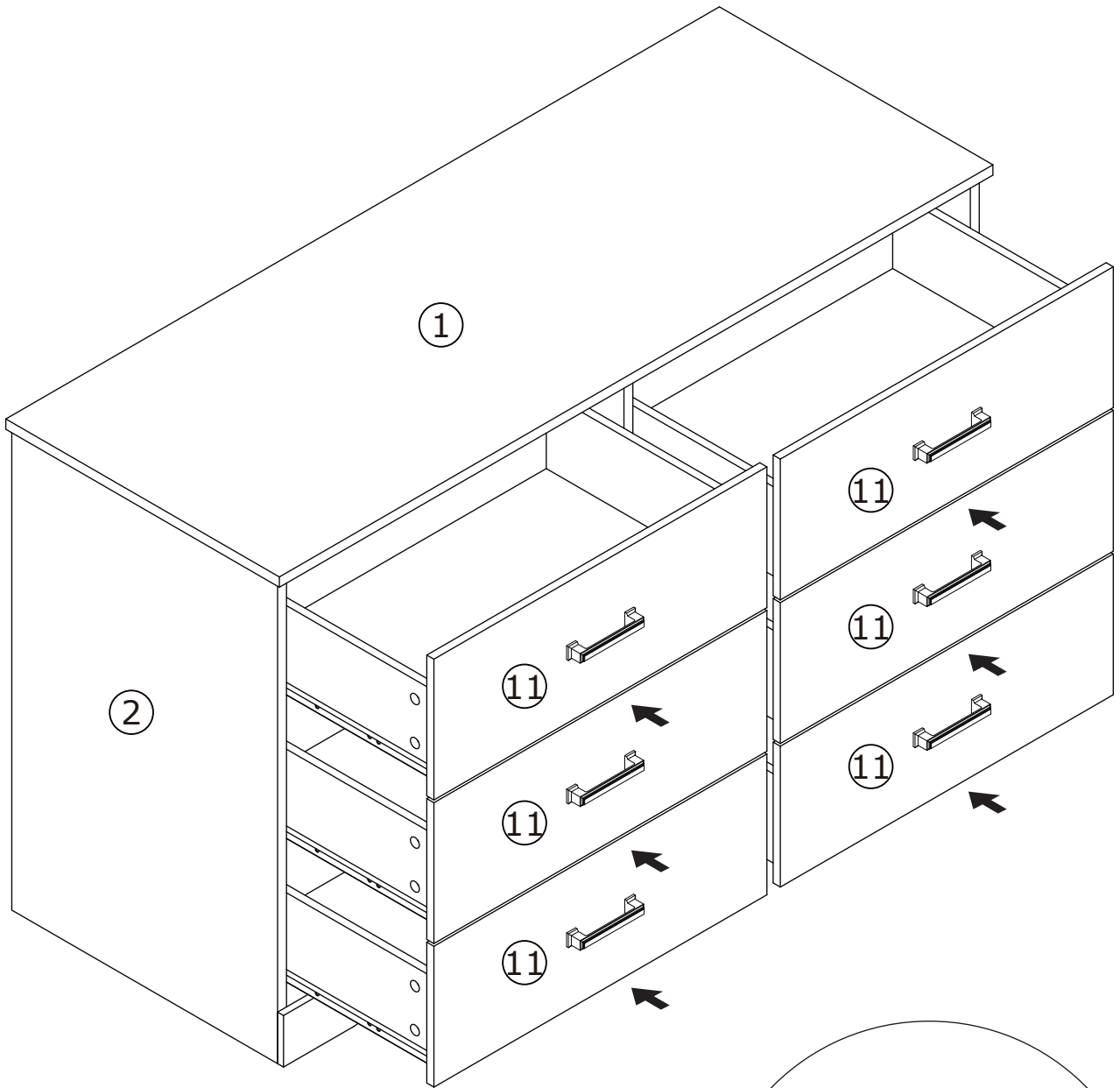
Gx12

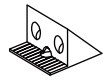


DLx6



DRx6





Hx16



Jx16

