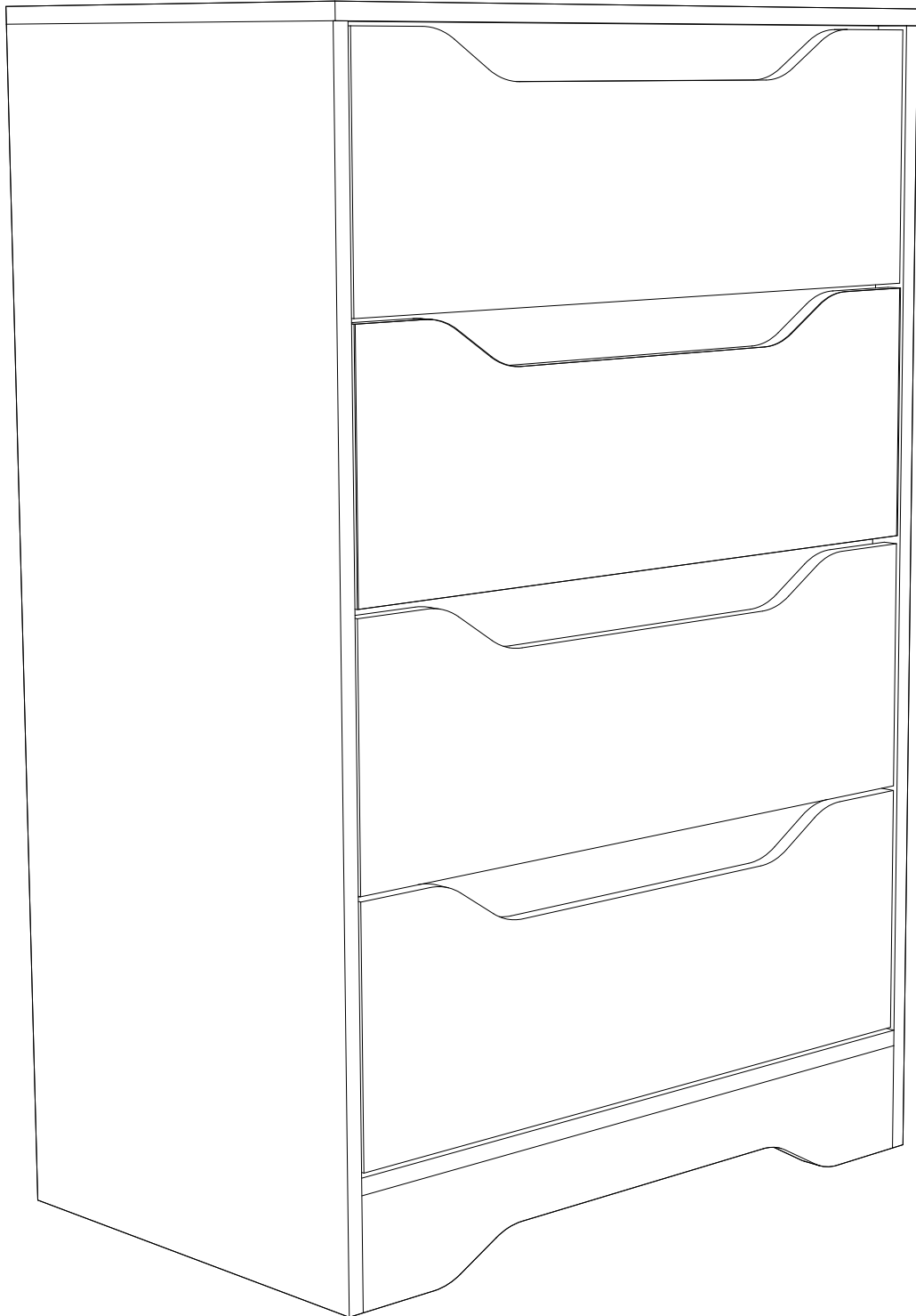
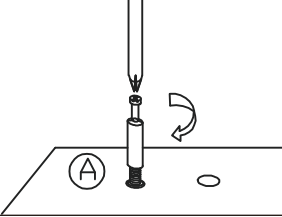
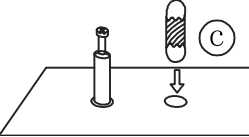
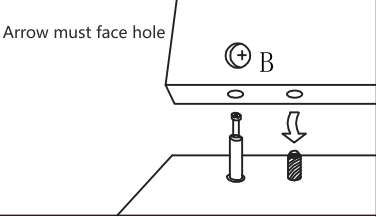
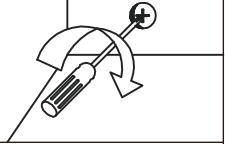


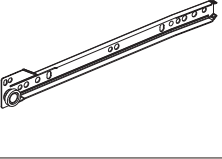
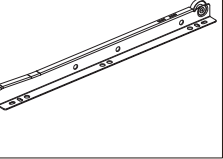
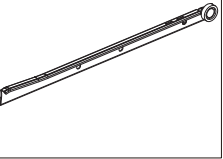
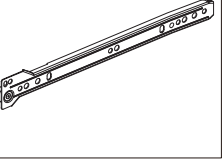
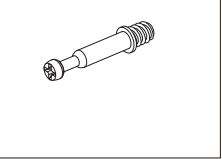
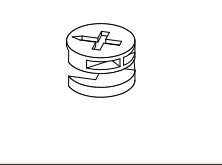
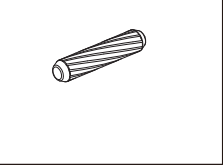
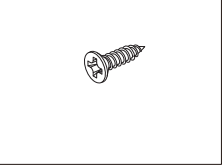
Assembly Instructions

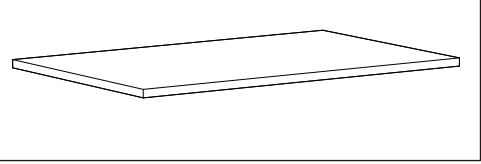
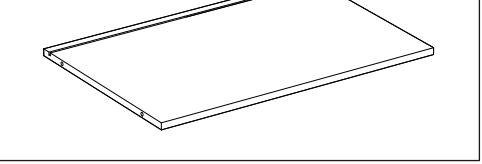
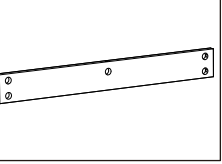
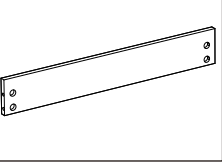
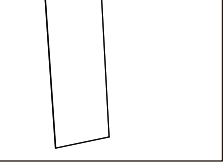
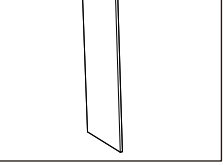
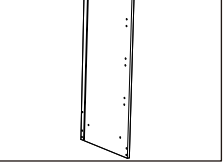
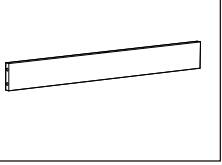
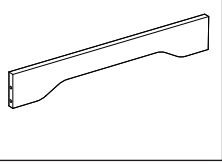
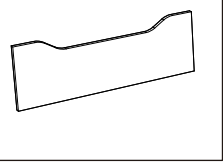
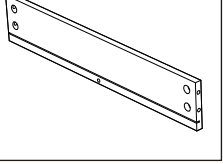
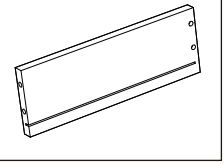
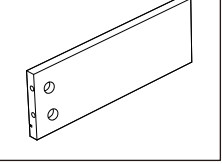
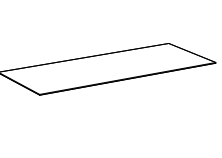
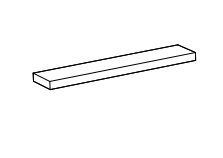
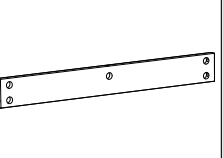
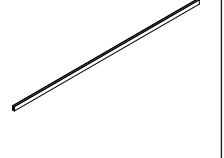
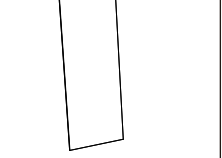
Modern 4 Drawer Dresser

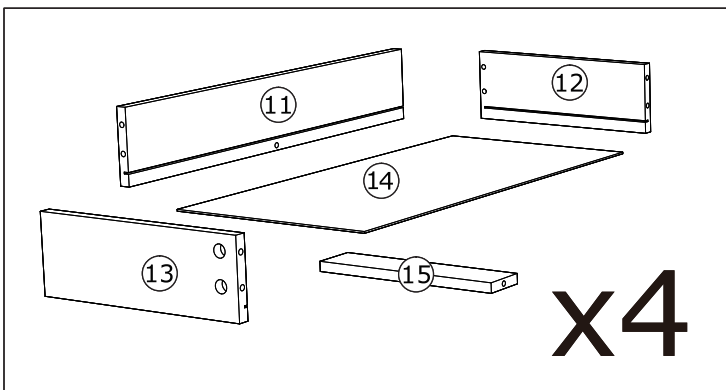
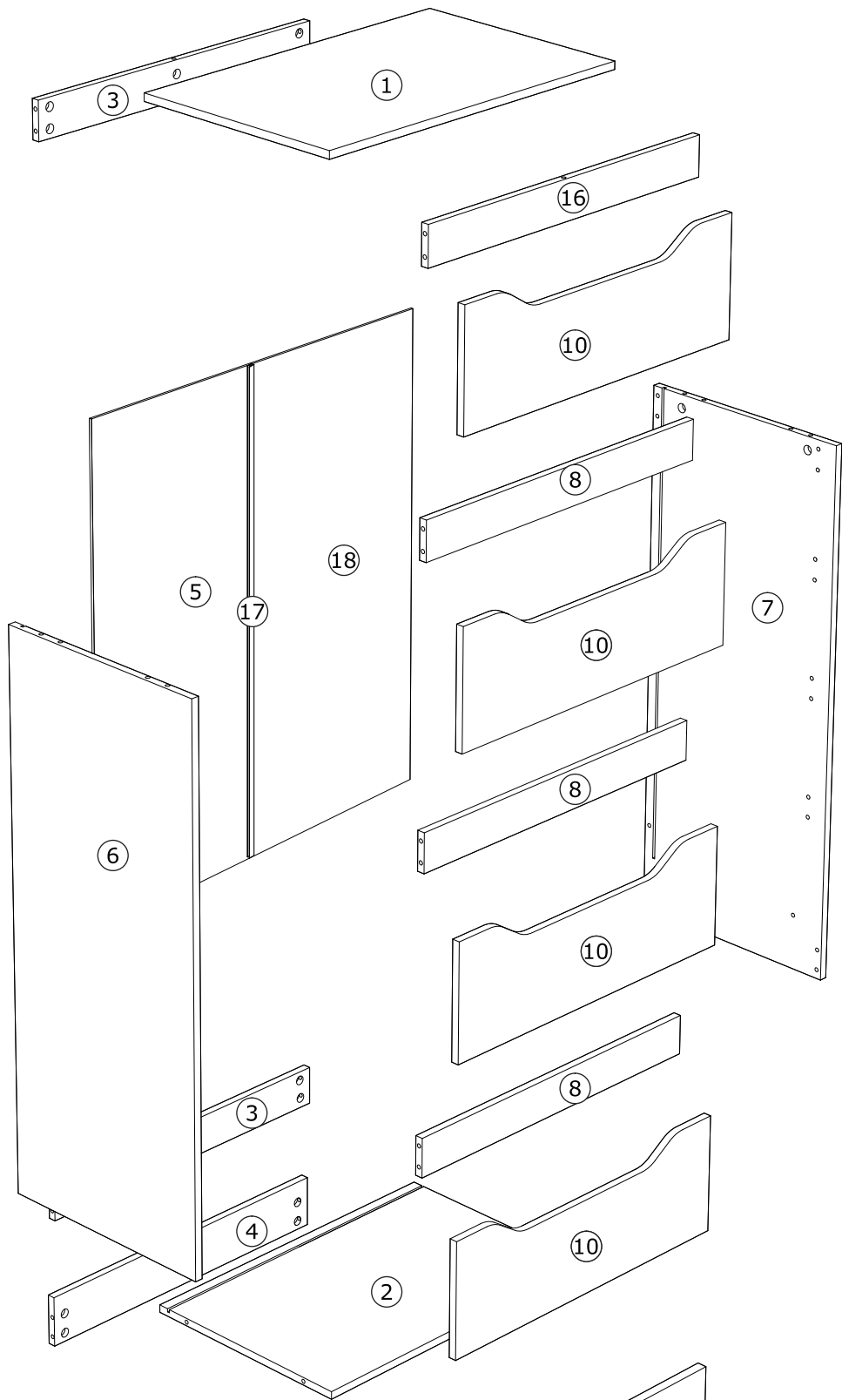


General instructions to assemble connecting pieces

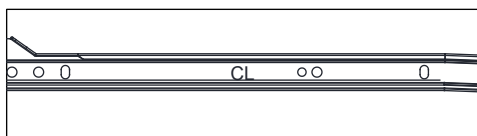
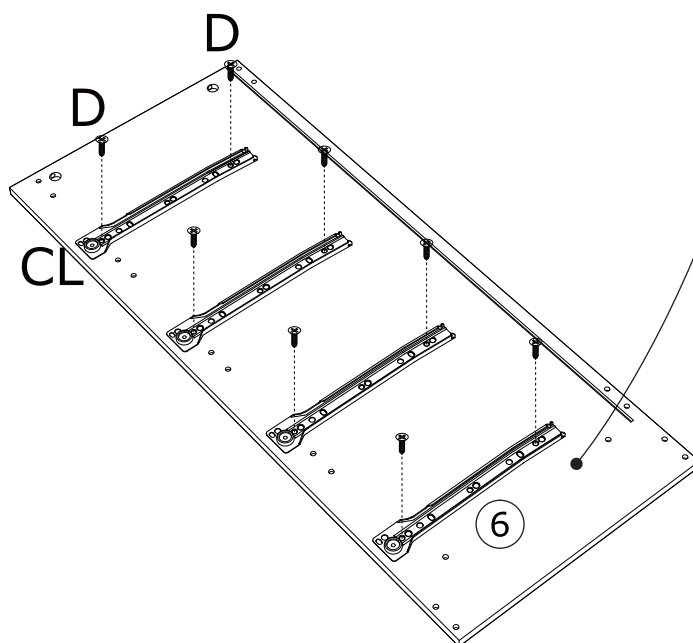
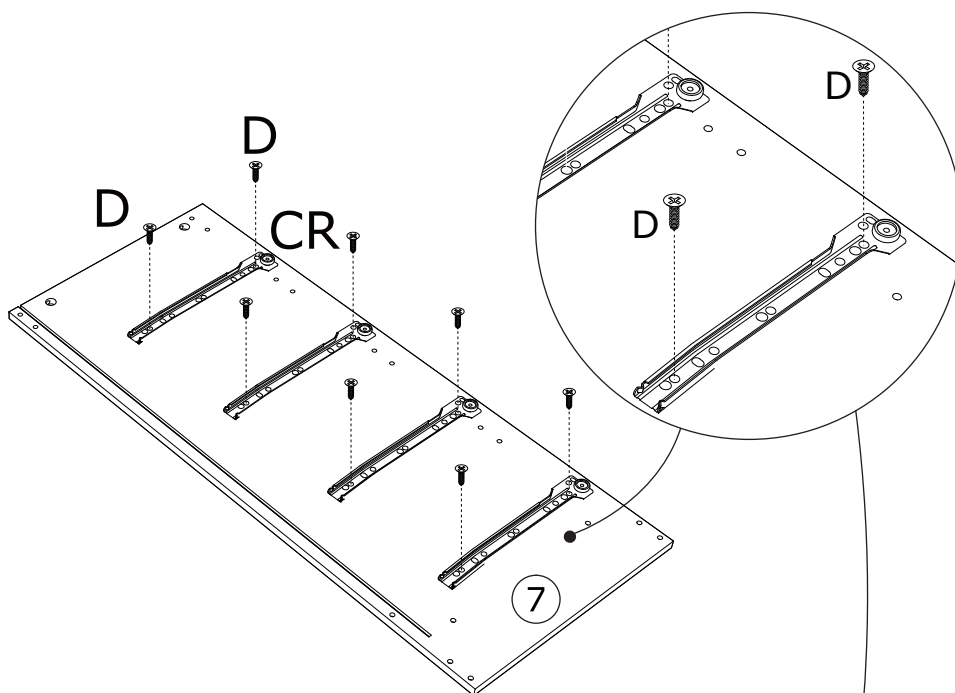
		<p>Arrow must face hole</p> 	
<p>Gently screw cam bolt into the threaded anchor.</p>	<p>Insert the wood dowel halfway into hole.</p>		<p>Screw the camlock firmly into locked position.</p>


<p>CL x 4</p> 	<p>DL x 4</p> 	<p>DR x 4</p> 	<p>CR x 4</p> 	<p>A x 85</p> 
<p>B x 85</p> 	<p>C x 5</p> 	<p>D x 33</p> 		




<p>① x 1</p> 	<p>② x 1</p> 	<p>③ x 2</p> 		
<p>④ x 1</p> 	<p>⑤ x 1</p> 	<p>⑥ x 1</p> 	<p>⑦ x 1</p> 	<p>⑧ x 3</p> 
<p>⑨ x 1</p> 	<p>⑩ x 4</p> 	<p>⑪ x 4</p> 	<p>⑫ x 4</p> 	<p>⑬ x 4</p> 
<p>⑭ x 4</p> 	<p>⑮ x 4</p> 	<p>⑯ x 1</p> 	<p>⑰ x 1</p> 	<p>⑱ x 1</p> 



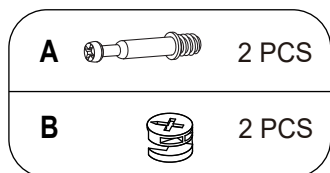
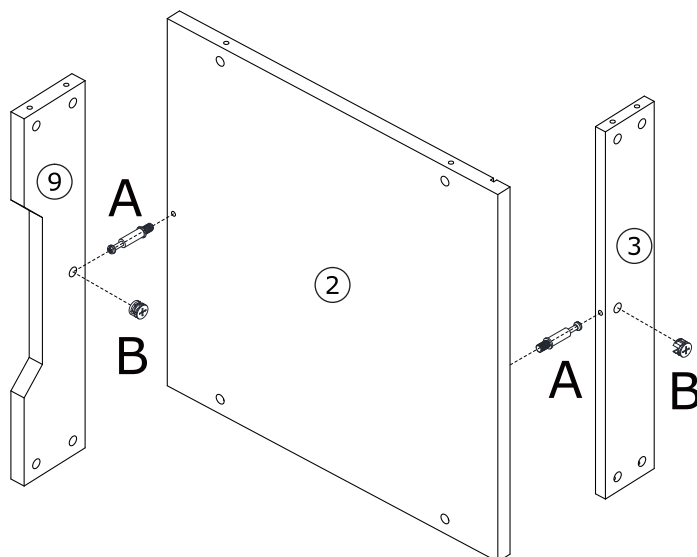
STEP1



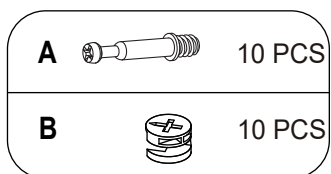
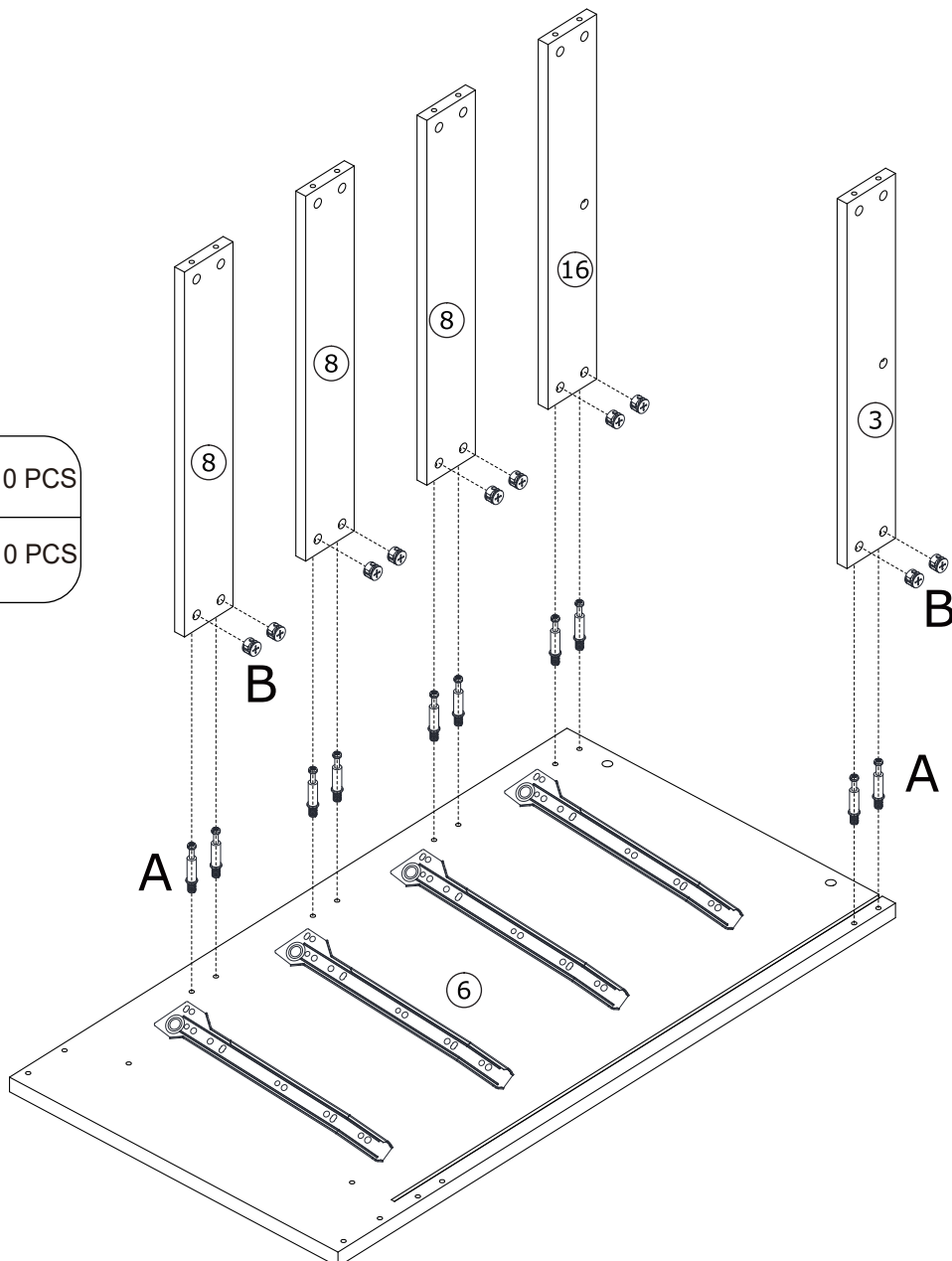
 you will find "CL/CR/DL/DR "" steel remark on the drawer slider .

D		16PCS
CL		4PCS
CR		4PCS

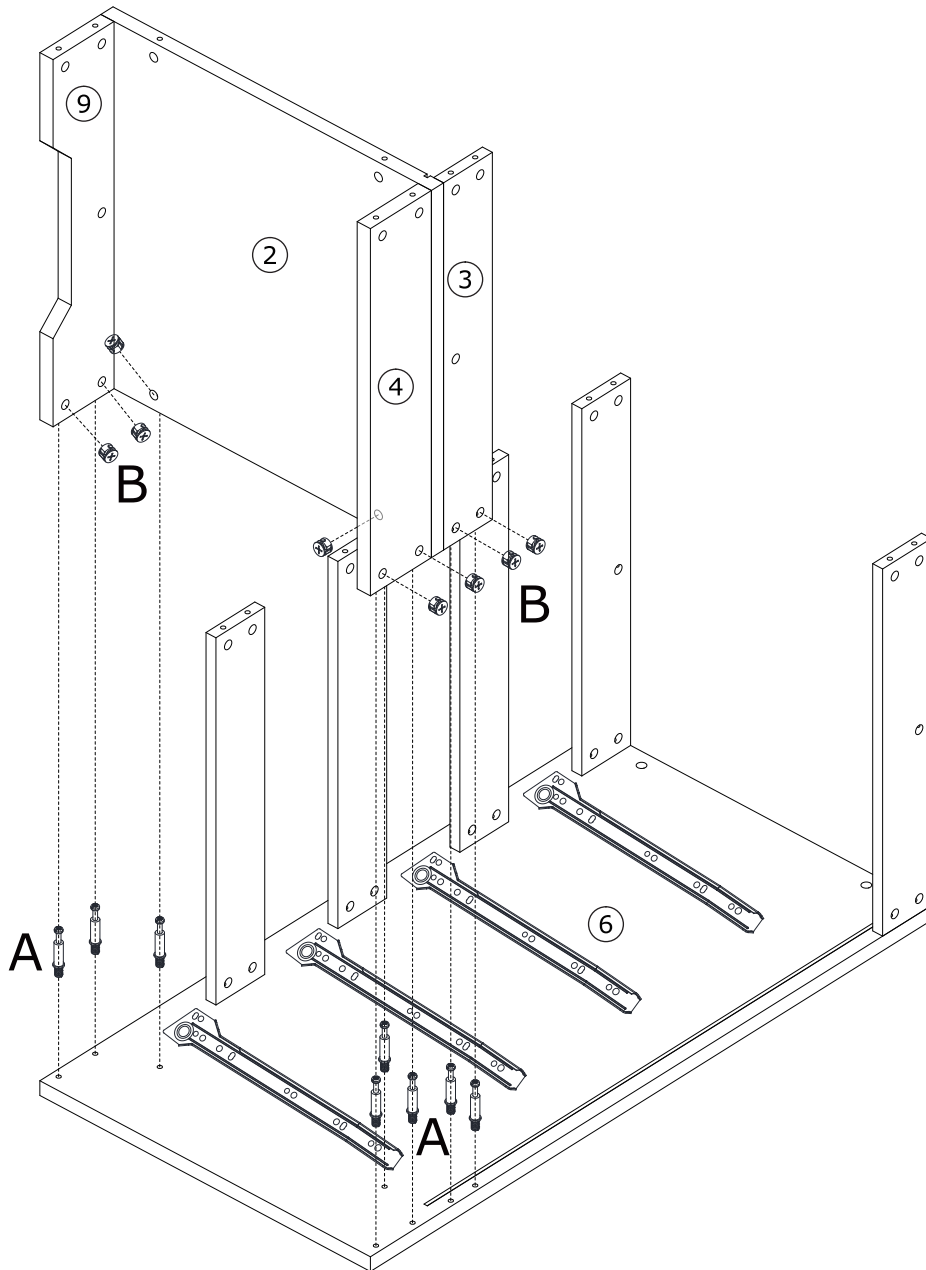
STEP2





STEP3

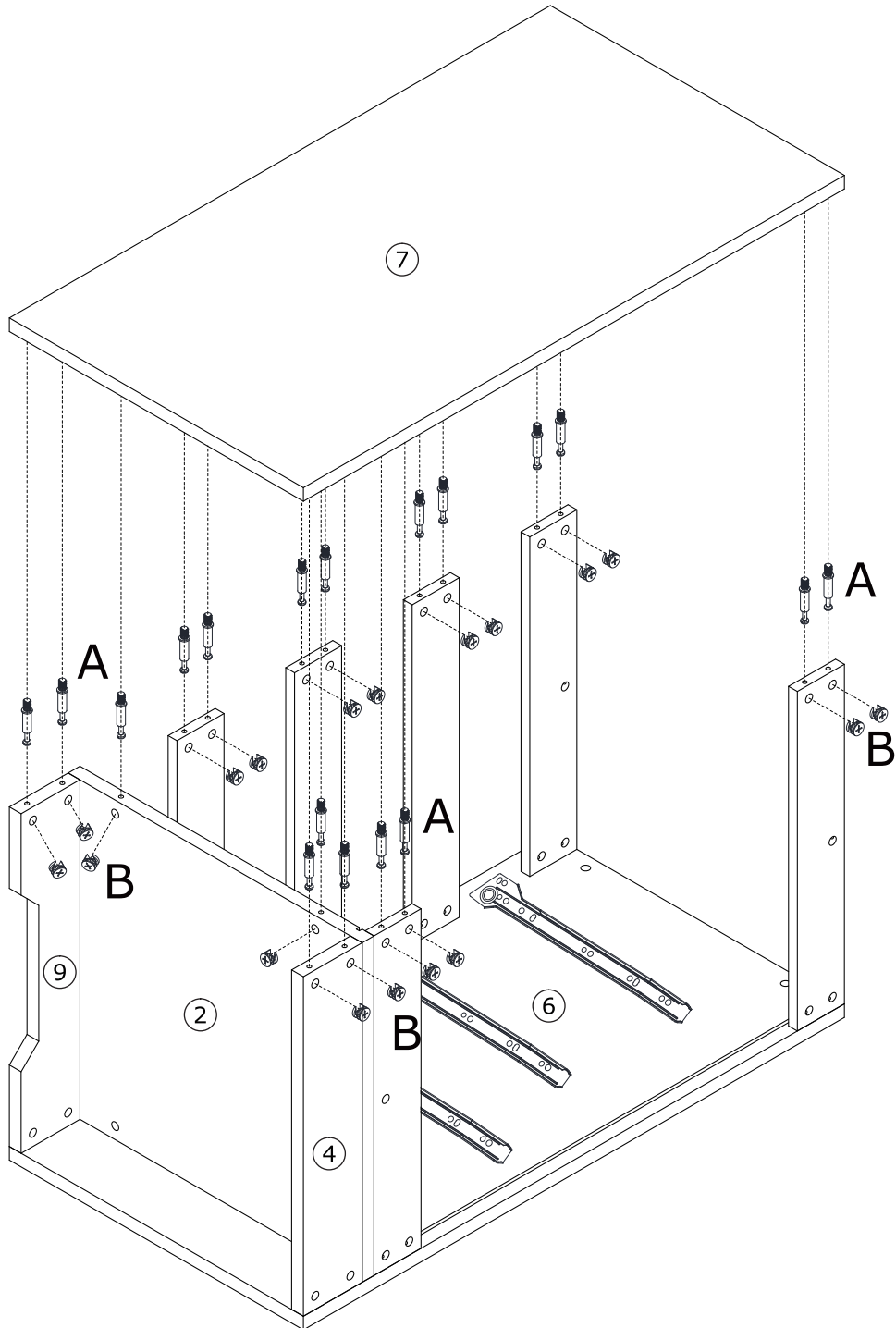


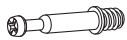

STEP4



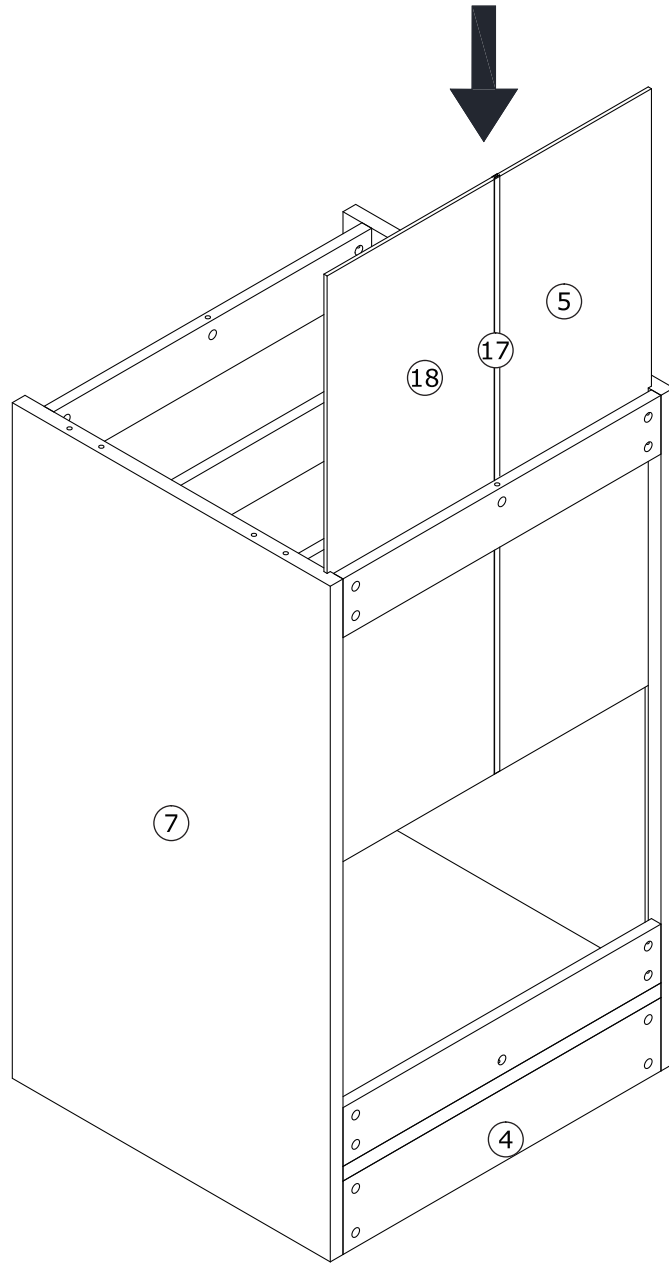
- | | | |
|----------|---|-------|
| A |  | 8 PCS |
| B |  | 8 PCS |

STEP5

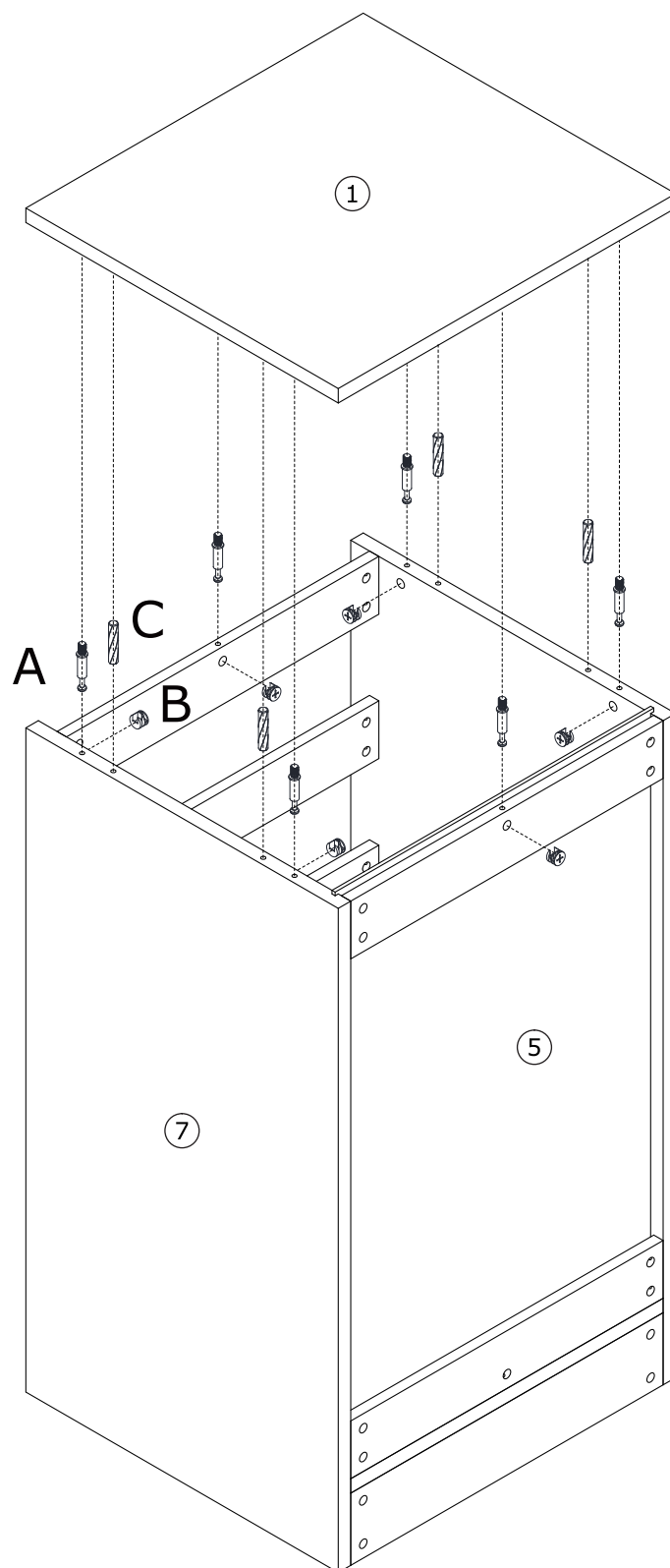





A		18 PCS
B		18 PCS

STEP6





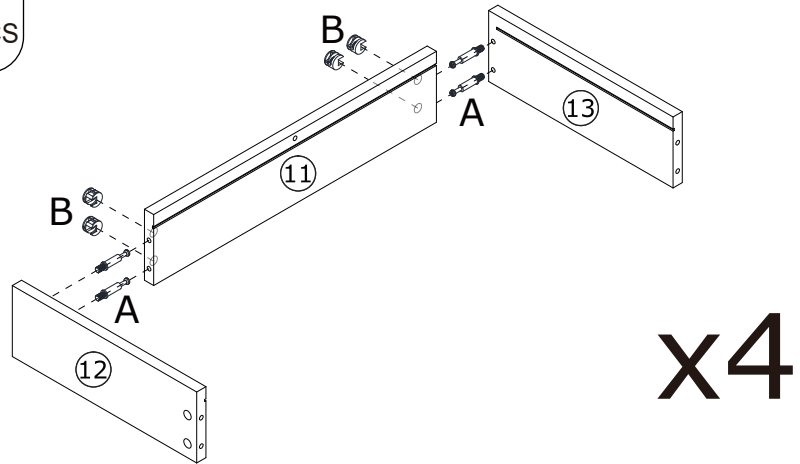
STEP 7





A		6 PCS
B		6 PCS
C		4 PCS

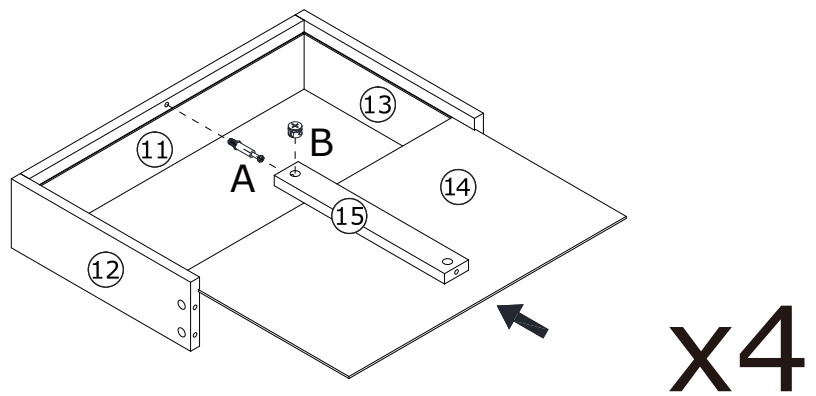
STEP8

A		16 PCS
B		16 PCS





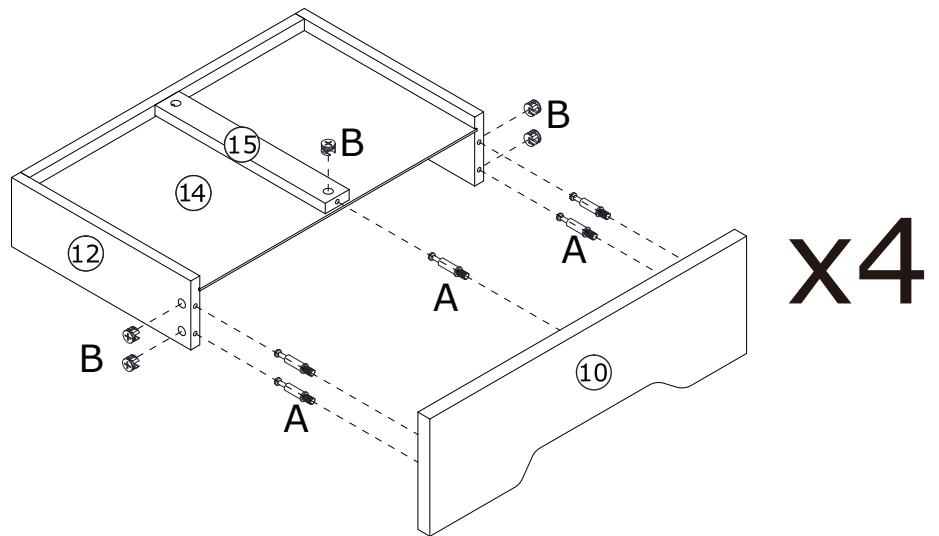
STEP9

A		4 PCS
B		4 PCS

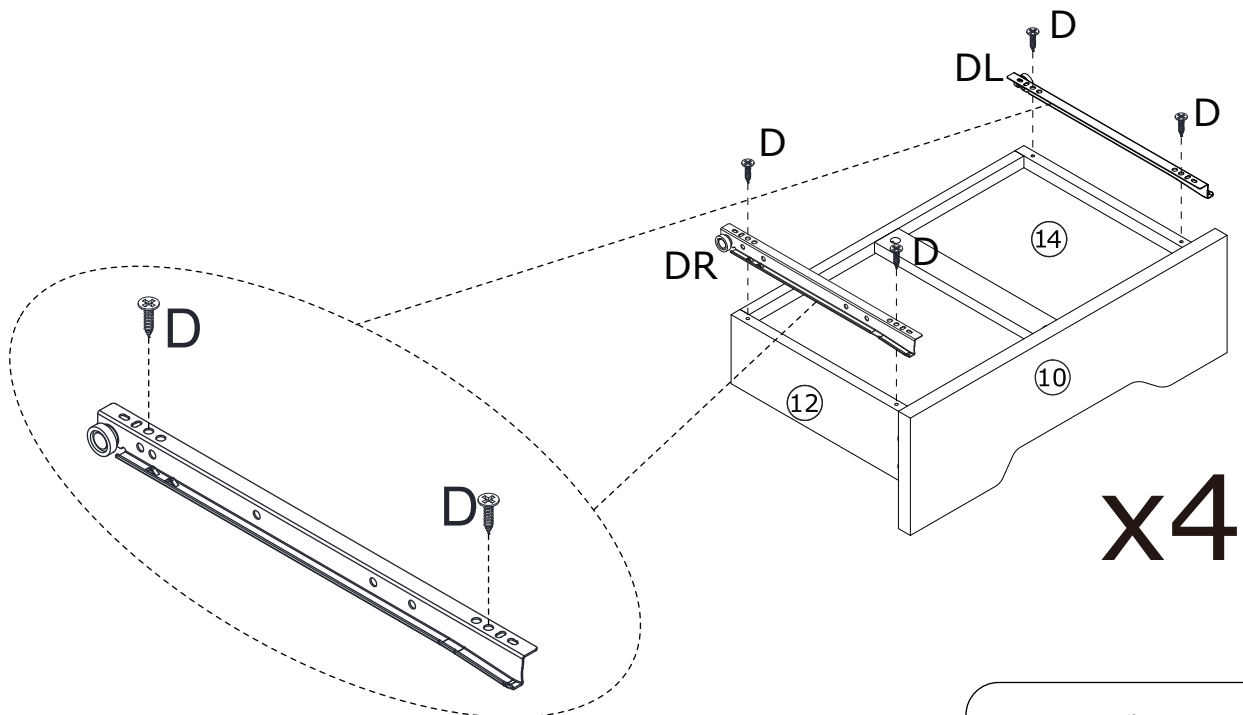


STEP10

A		20 PCS
B		20 PCS



STEP11



D		16 PCS
DL		4 PCS
DR		4 PCS

STEP12

