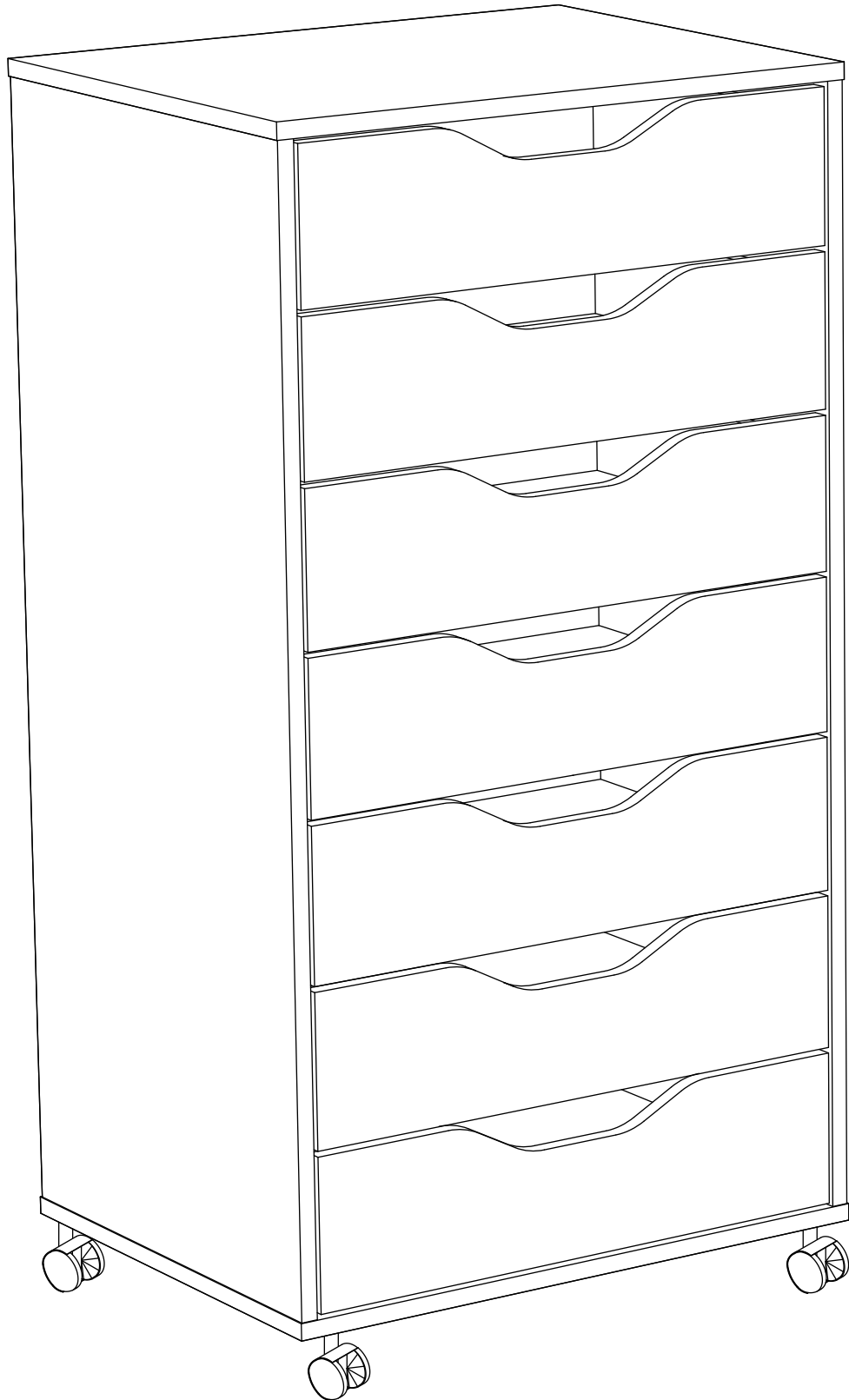


# Assembly Instructions

## 7-Tier Cabinet with Wheels



# General instructions to assemble connecting pieces

		<p>Arrow must face hole</p>	
<p>Gently screw cam bolt into the threaded anchor.</p>	<p>Insert the wood dowel halfway into hole.</p>		<p>Screw the camlock firmly into locked position.</p>

<p>CL x 7</p>	<p>DL x 7</p>	<p>DR x 7</p>	<p>CR x 7</p>	<p>A x 86</p>
---------------	---------------	---------------	---------------	---------------

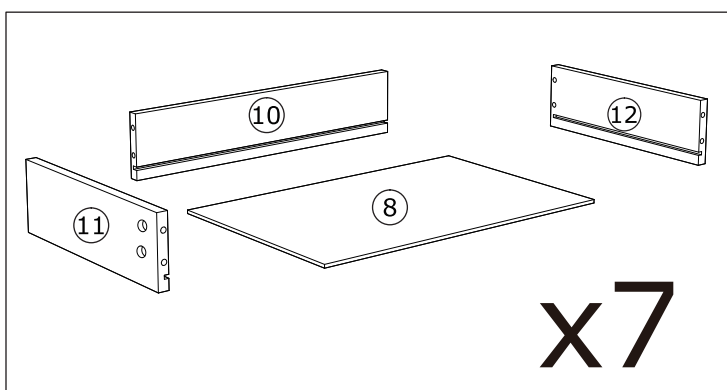
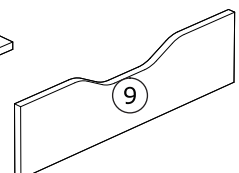
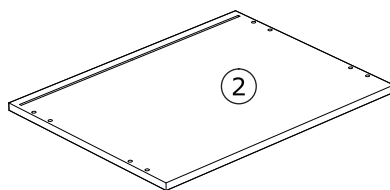
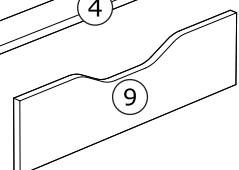
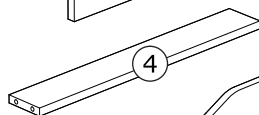
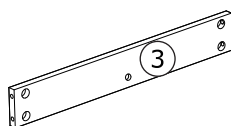
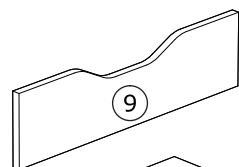
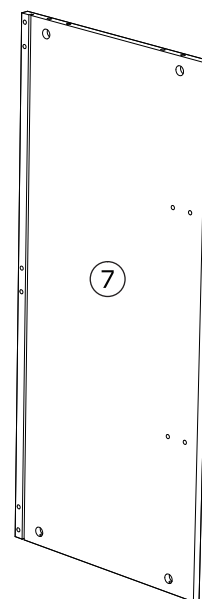
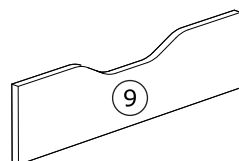
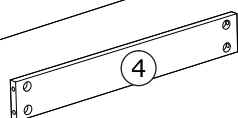
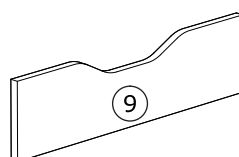
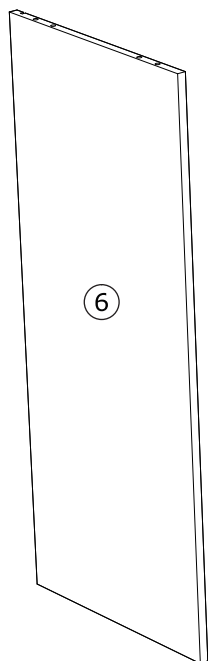
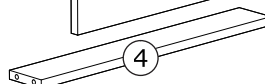
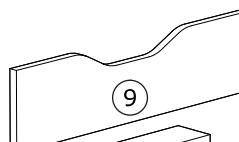
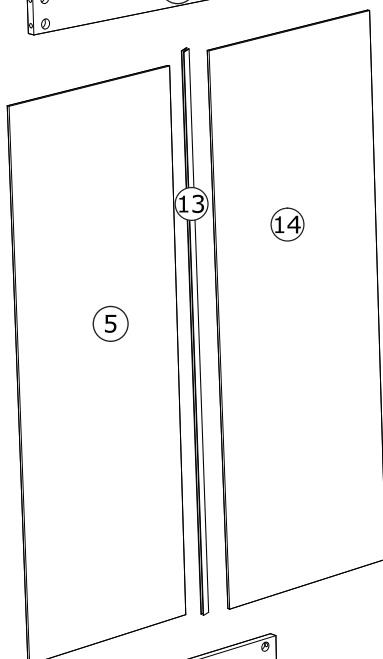
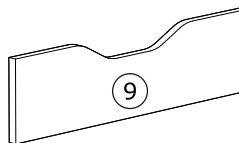
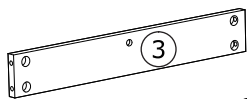
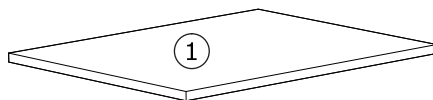
<p>B x 86</p>	<p>C x 8</p>	<p>D x 72</p>	<p>E x 4</p>
---------------	--------------	---------------	--------------

<p>① x 1</p>	<p>② x 1</p>	<p>③ x 2</p>
--------------	--------------	--------------

<p>④ x 3</p>	<p>⑤ x 1</p>	<p>⑥ x 1</p>	<p>⑦ x 3</p>	<p>⑧ x 7</p>
--------------	--------------	--------------	--------------	--------------

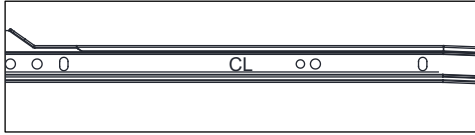
<p>⑨ x 7</p>	<p>⑩ x 7</p>	<p>⑪ x 7</p>	<p>⑫ x 7</p>	<p>⑬ x 1</p>
--------------	--------------	--------------	--------------	--------------

<p>⑭ x 1</p>
--------------

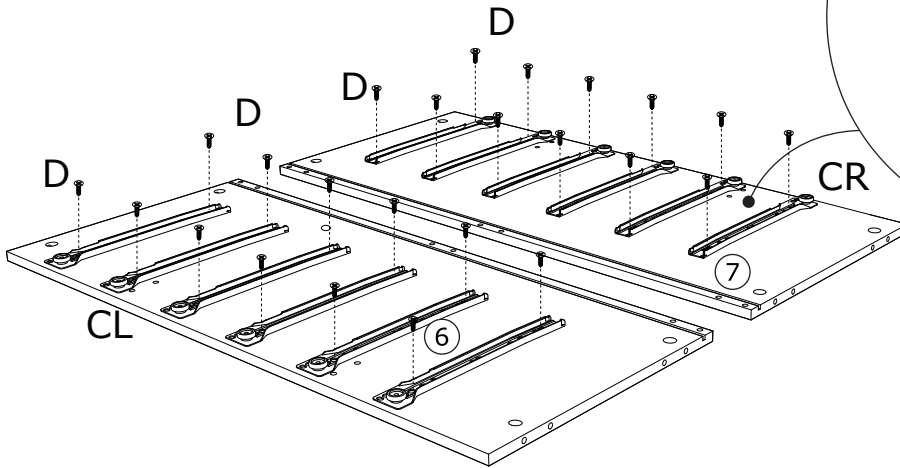
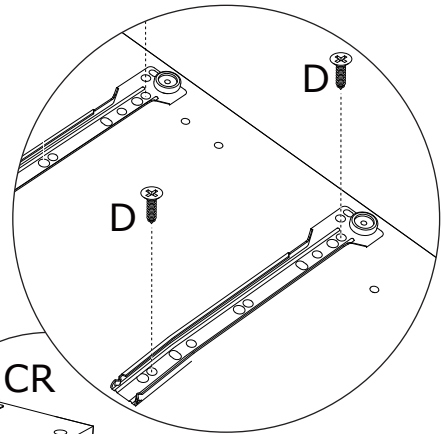


# STEP1

Only fix the first 6 sets of strider ,and pls kindly leave one sets to STEP 7 .

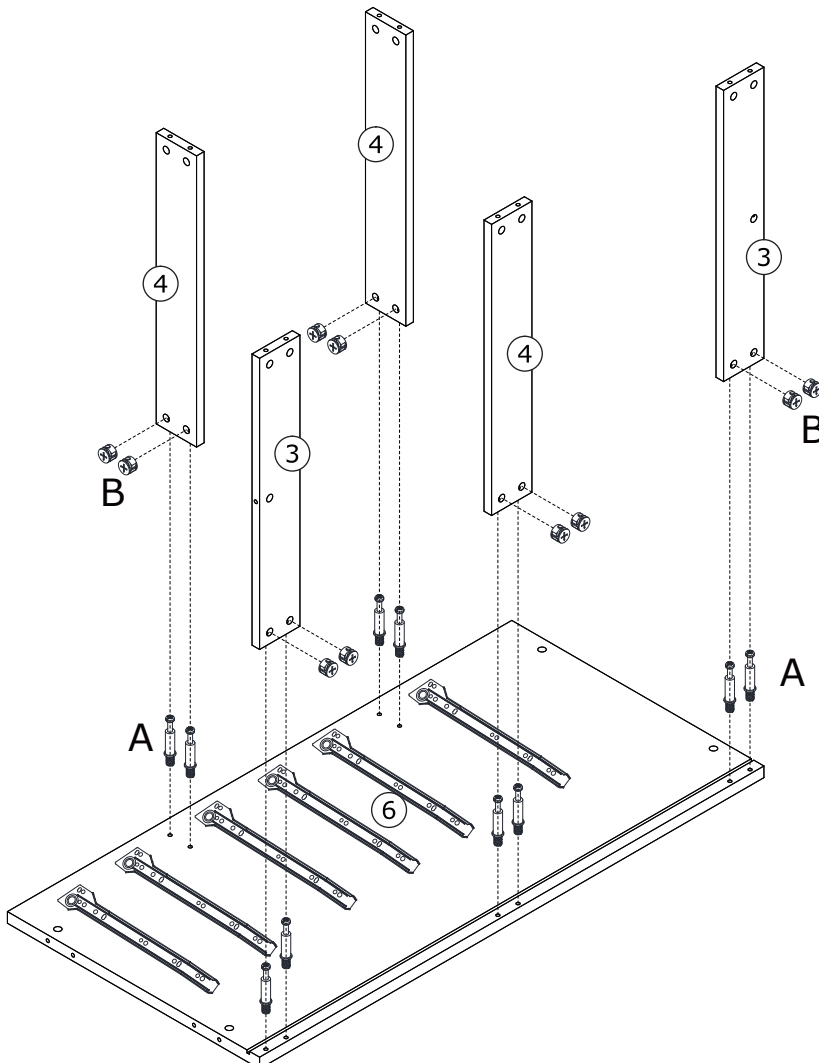


**!** you will find "CL/CR/DL/DR "" steel remark on the drawer slider .



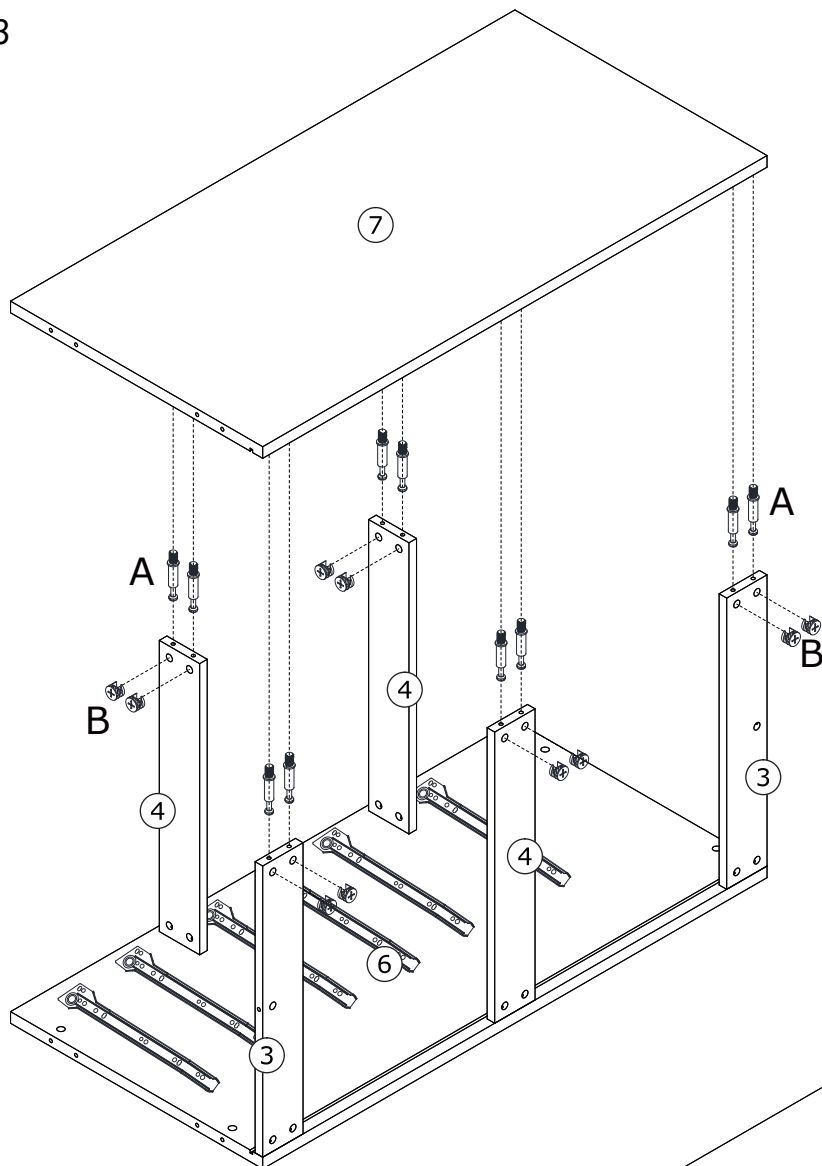
<b>D</b>		24 PCS
<b>CL</b>		6 PCS
<b>CR</b>		6 PCS



# STEP2



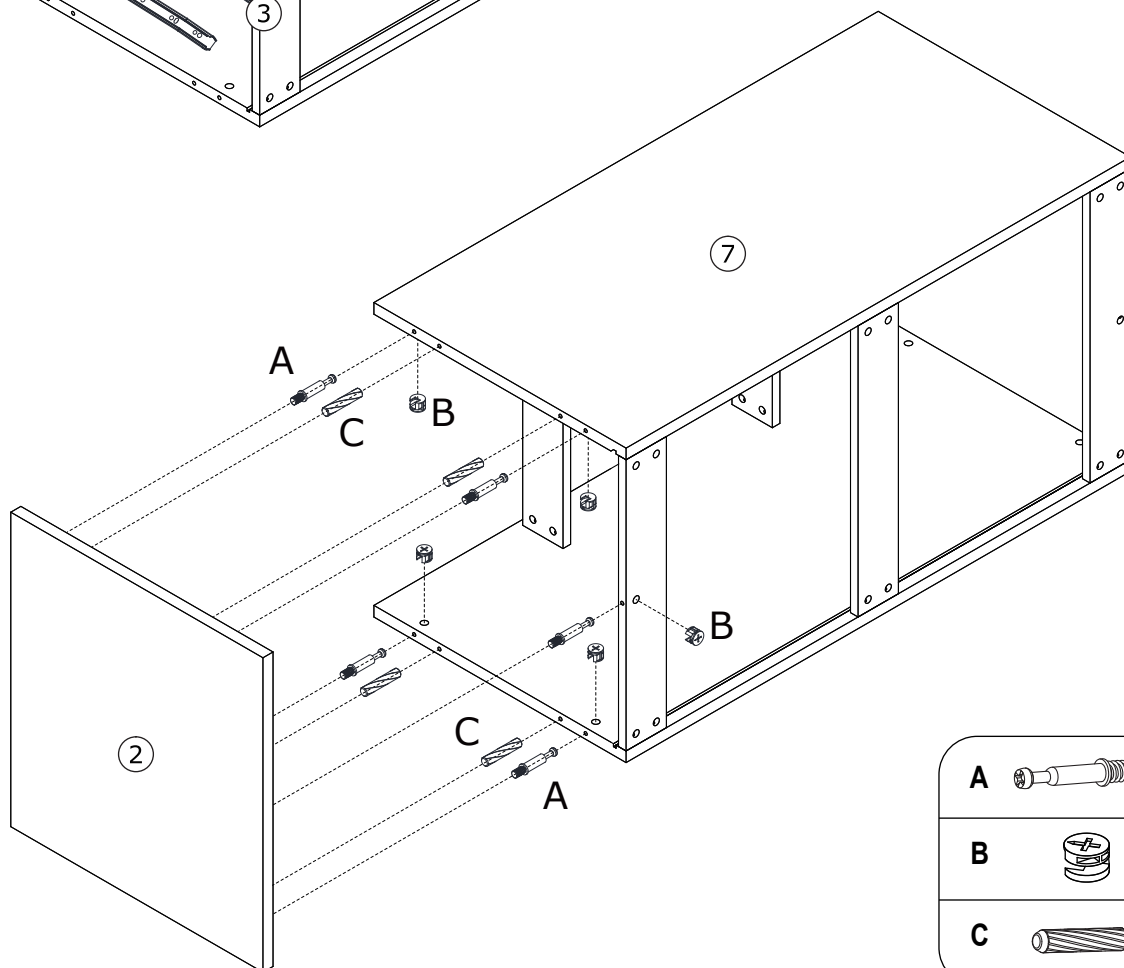
<b>A</b>		10 PCS
<b>B</b>		10 PCS




### STEP3



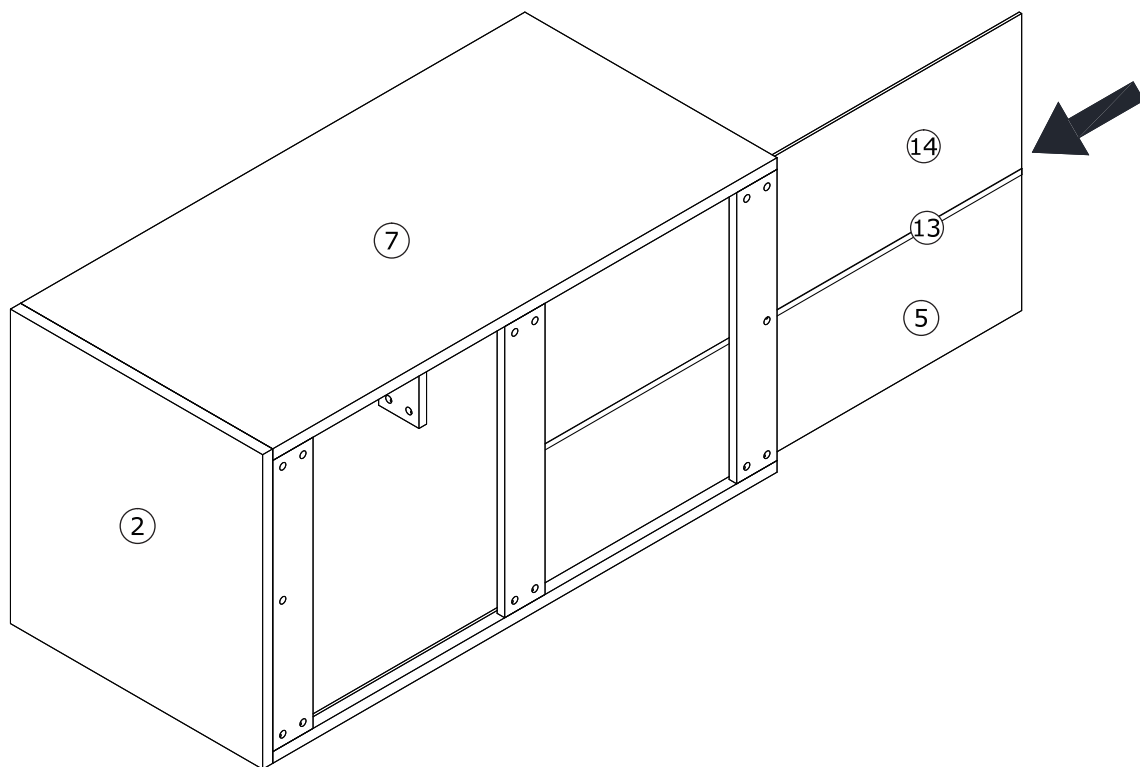
<b>A</b>		10 PCS
<b>B</b>		10 PCS

### STEP4

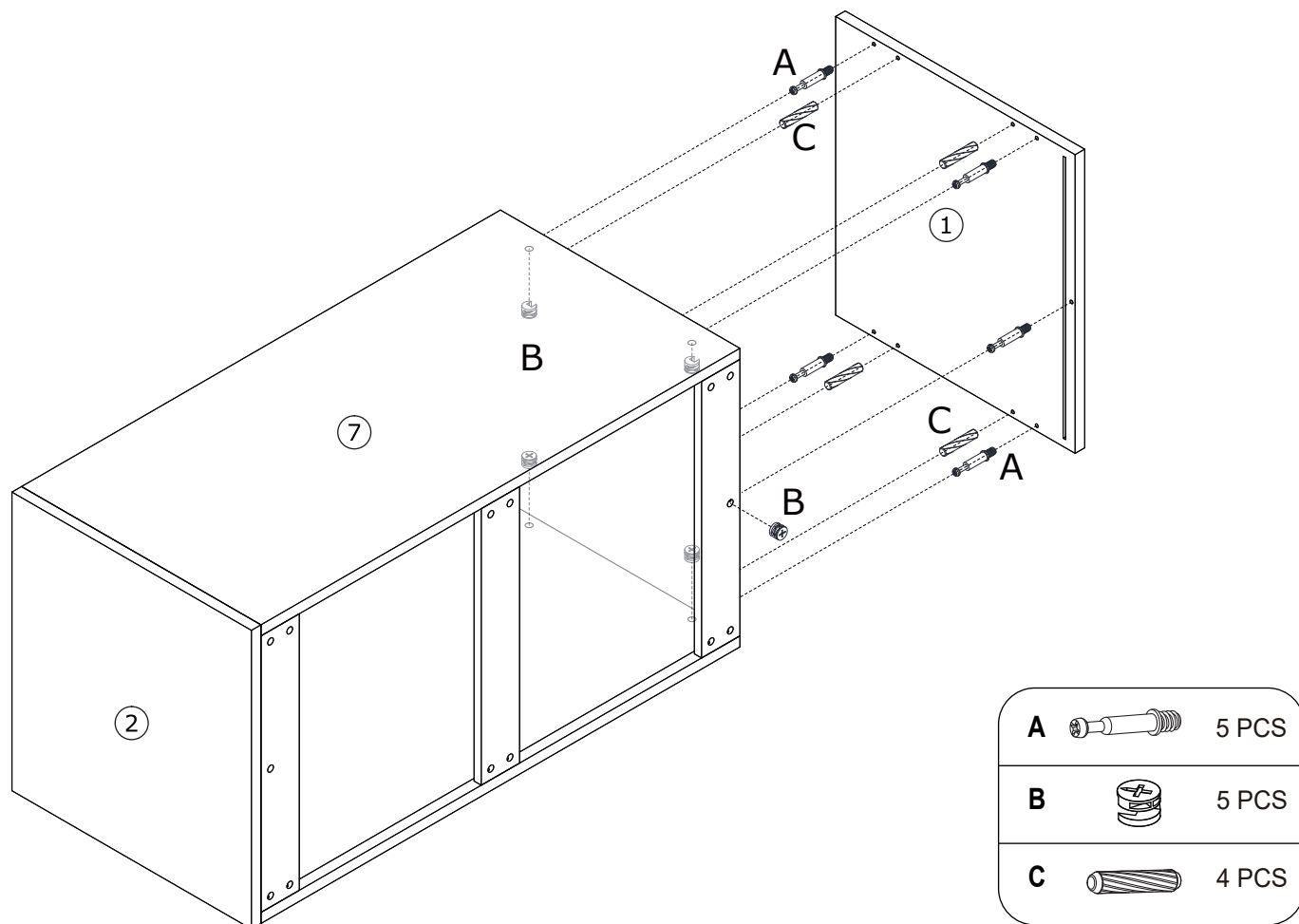


<b>A</b>		5 PCS
<b>B</b>		5 PCS
<b>C</b>		4 PCS

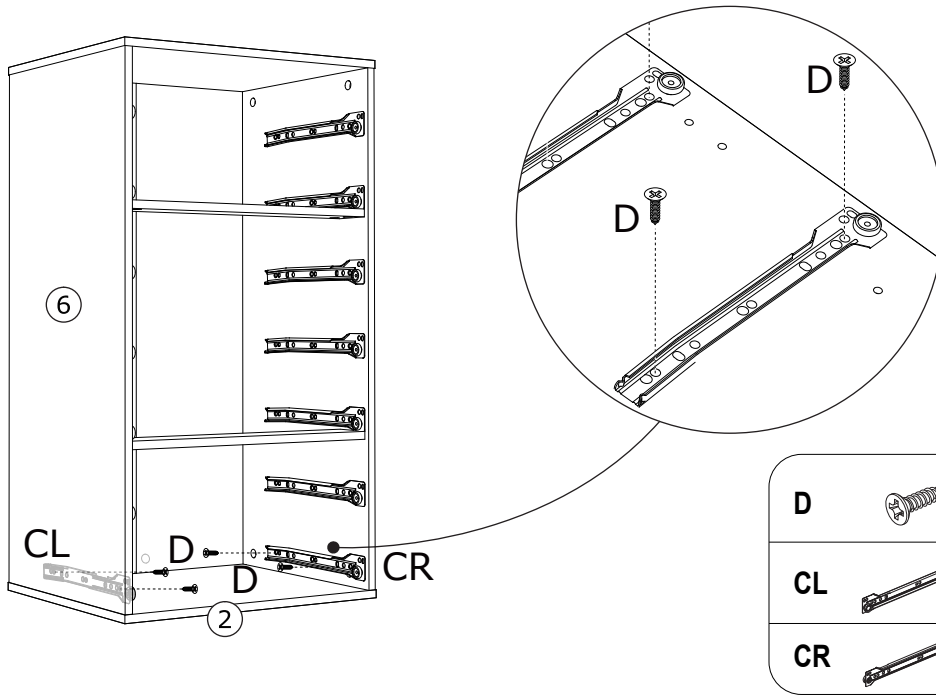
# STEP5



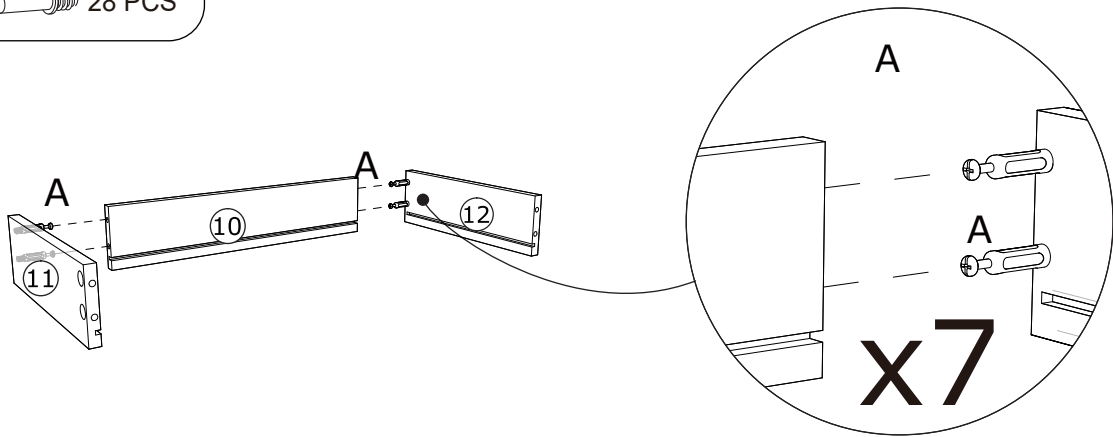
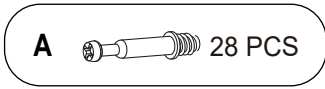
# STEP6



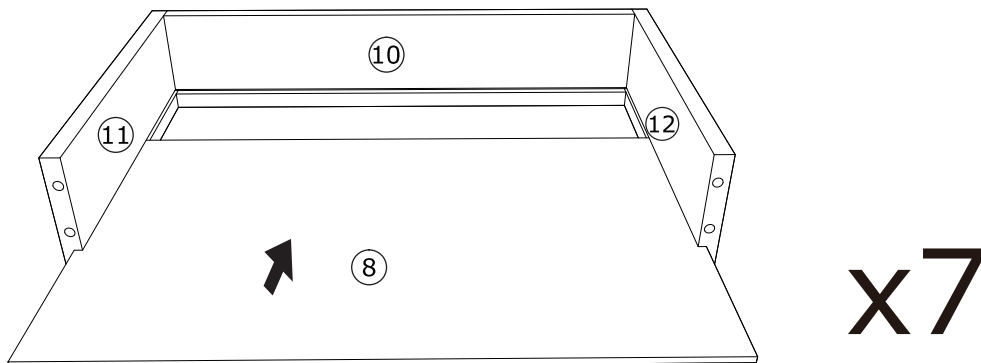
STEP7




STEP8

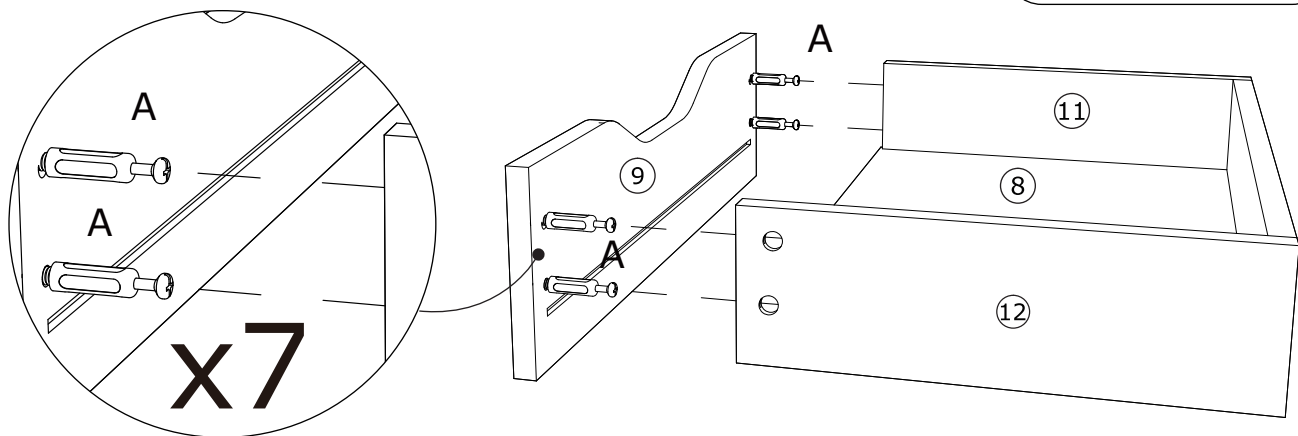


STEP9

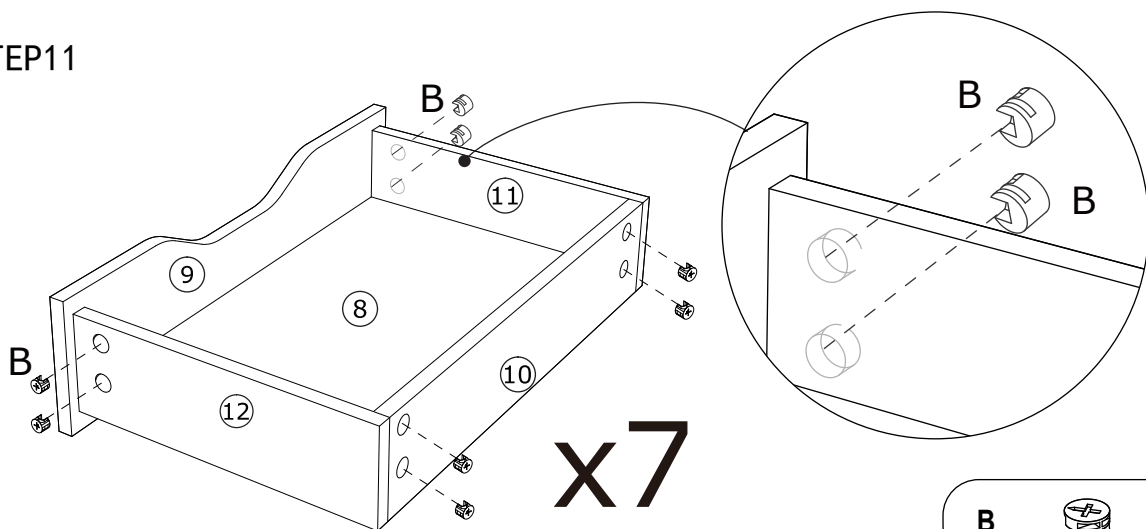



STEP10

A  28 PCS

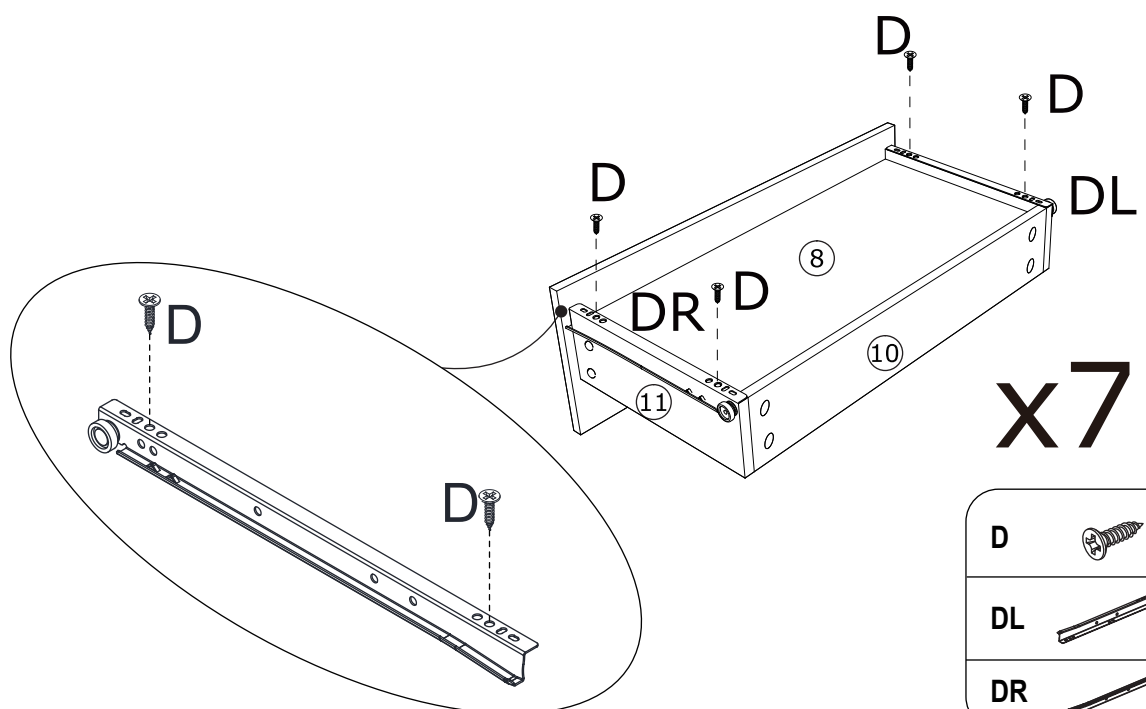





STEP11



B  56 PCS

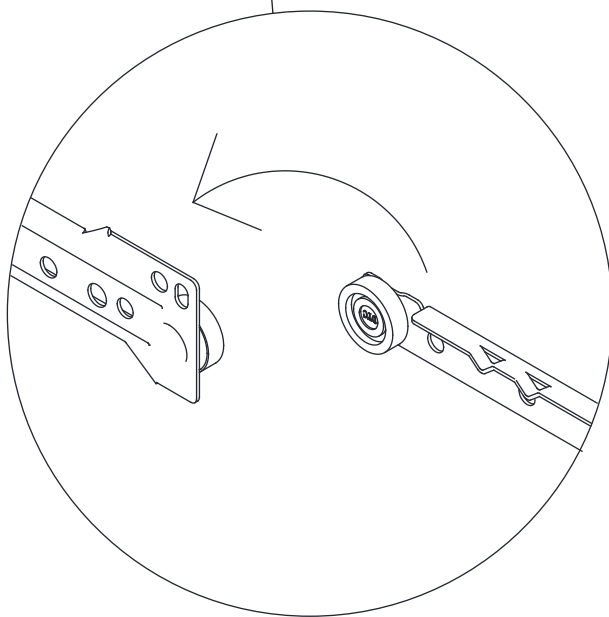
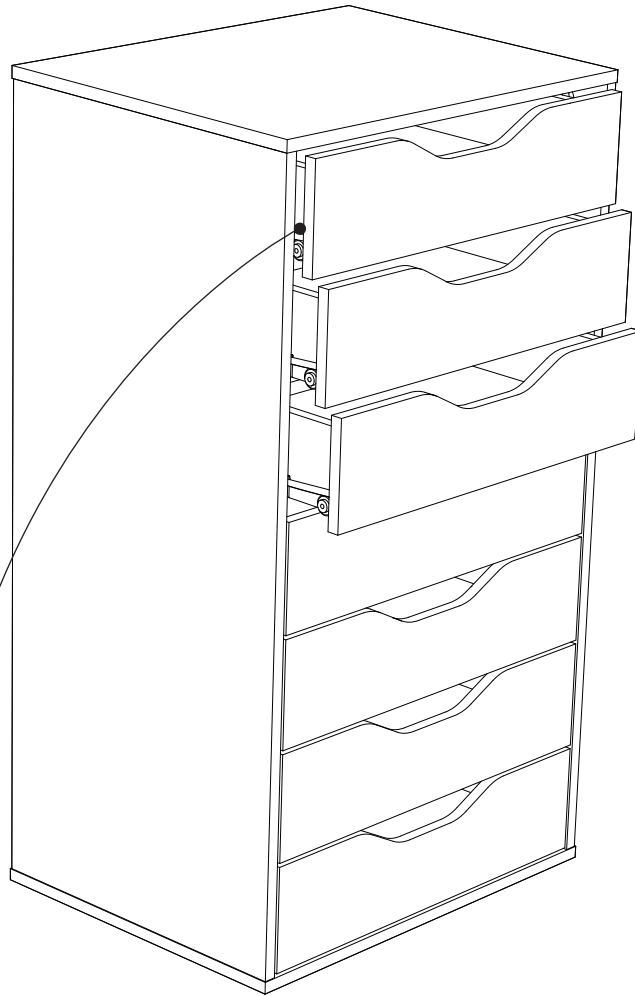
STEP12



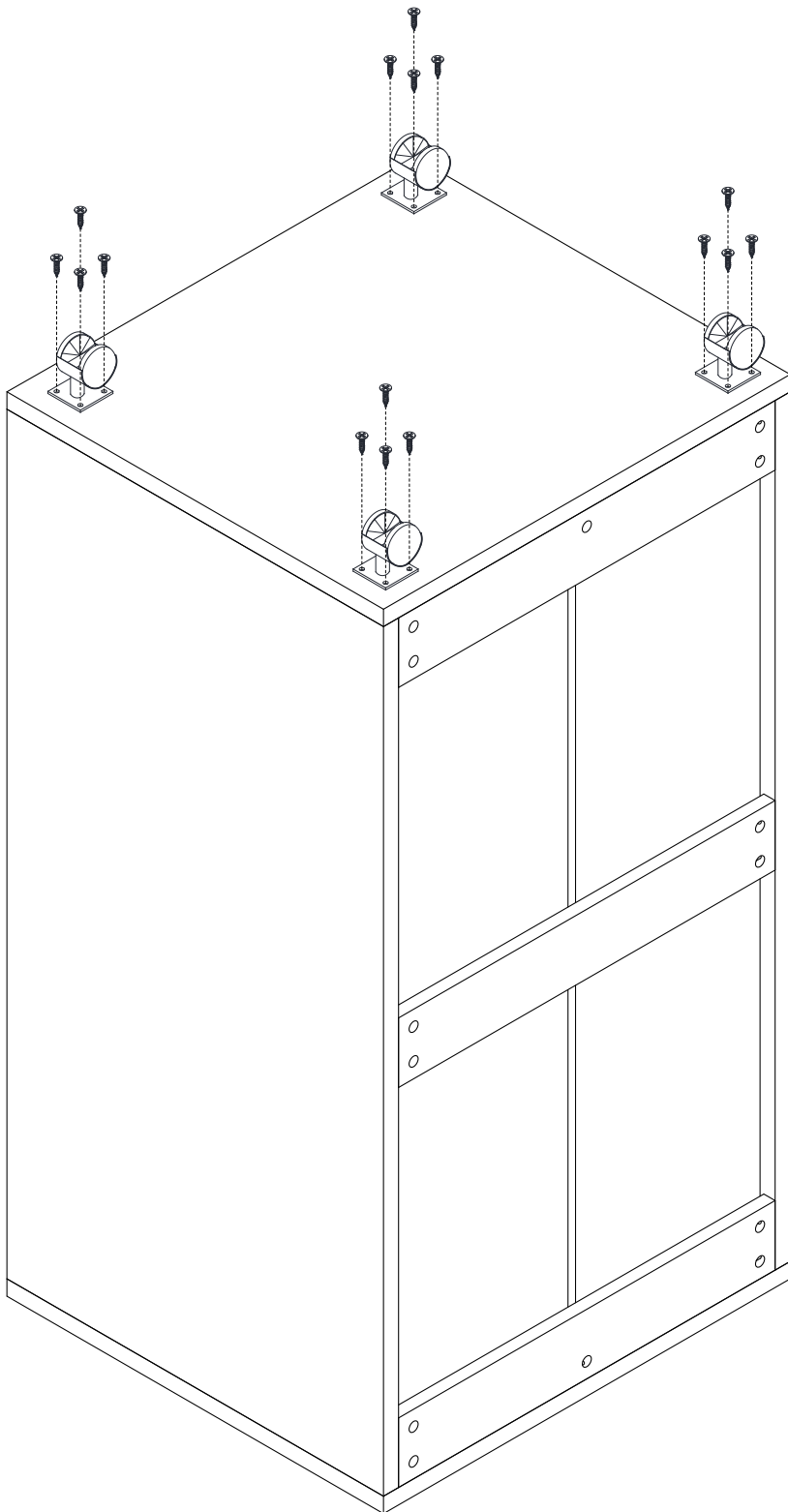
D  28 PCS  
 DL  7 PCS  
 DR  7 PCS





STEP13



STEP14



<b>D</b>		16 PCS
<b>E</b>		4 PCS

