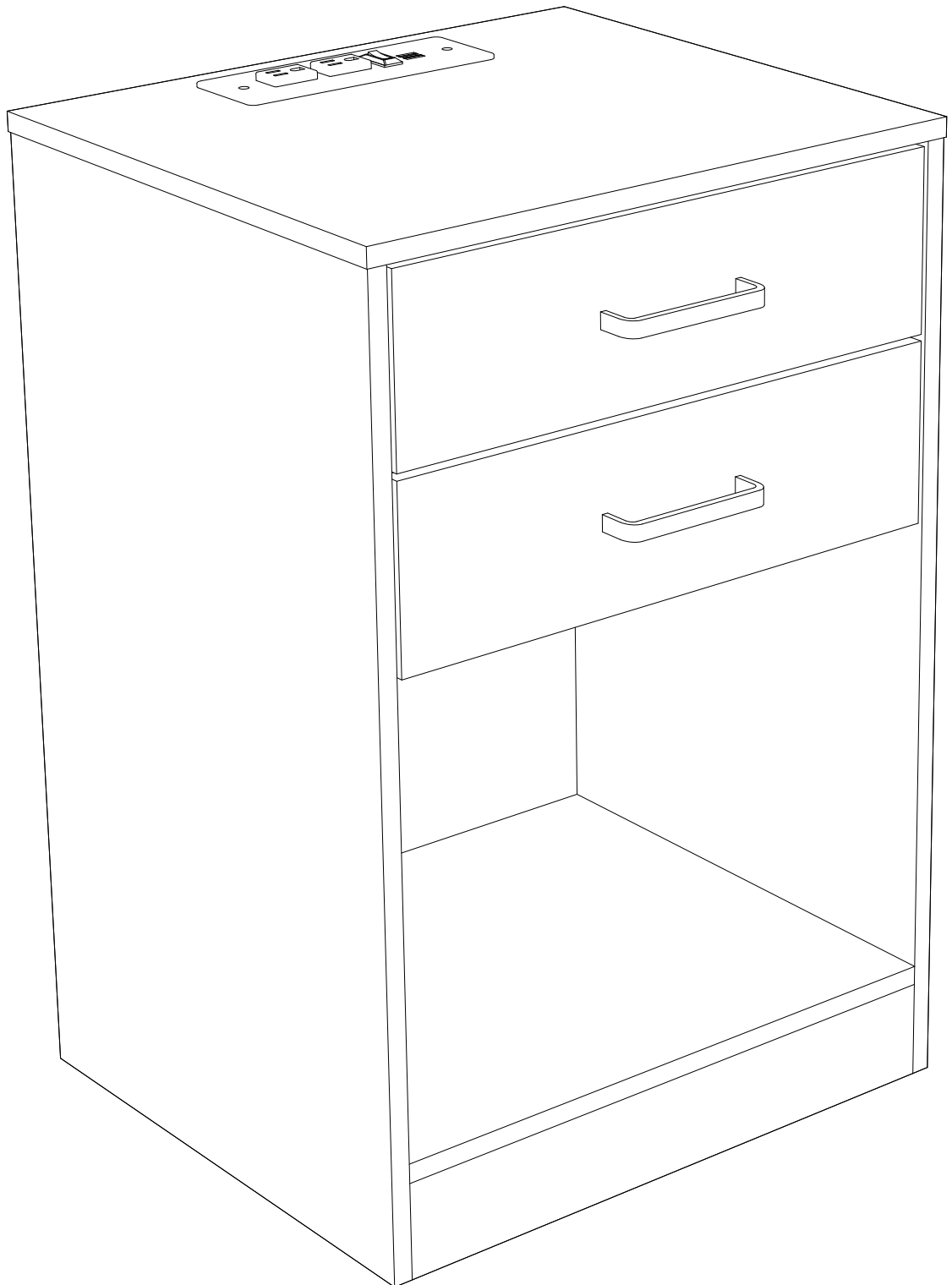
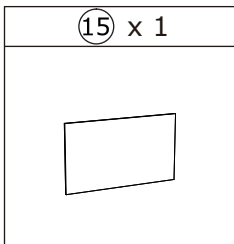
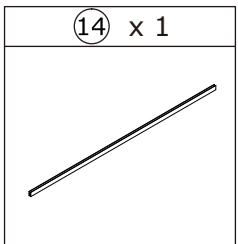
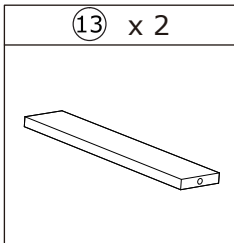
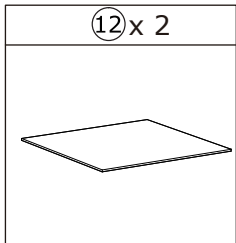
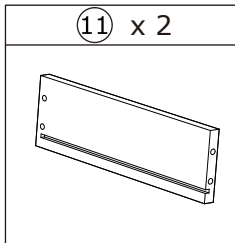
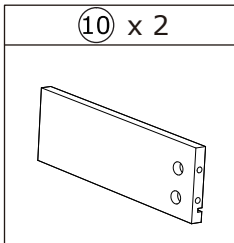
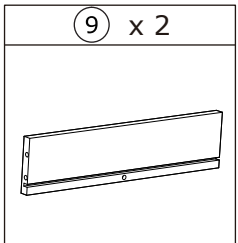
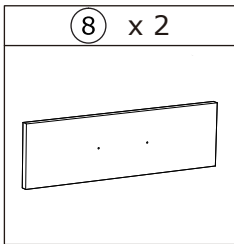
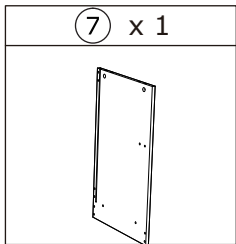
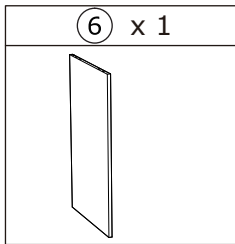
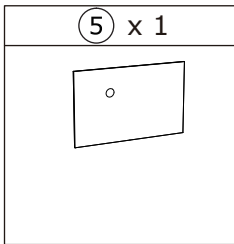
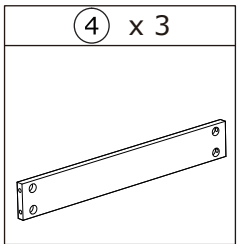
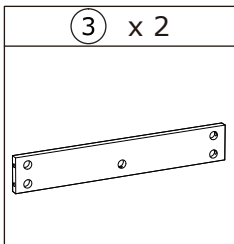
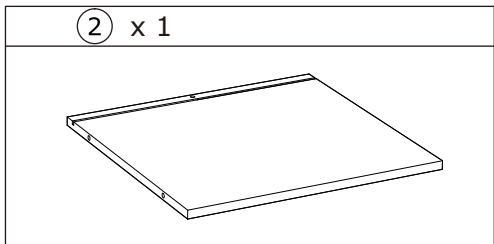
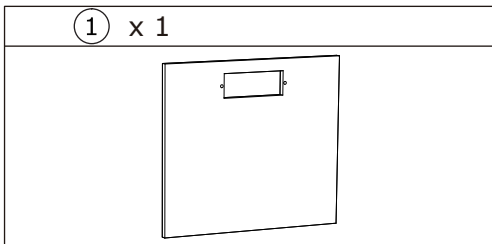
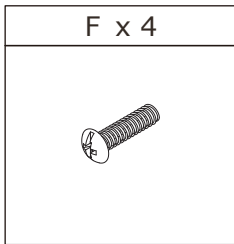
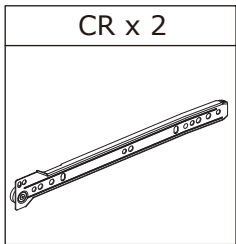
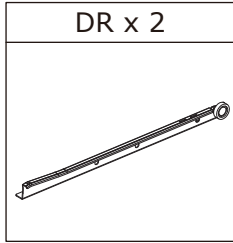
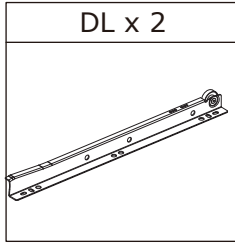
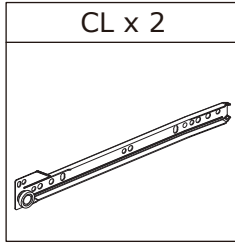
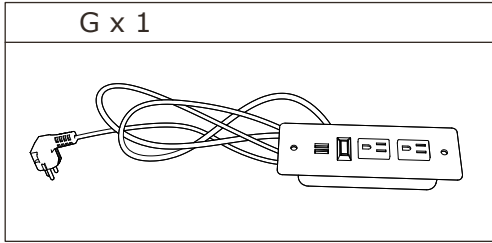
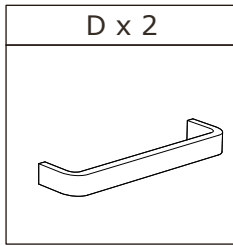
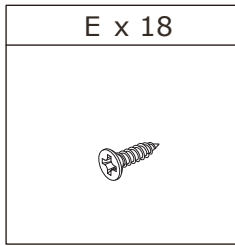
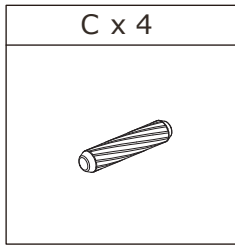
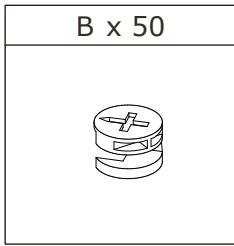
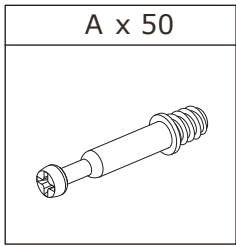
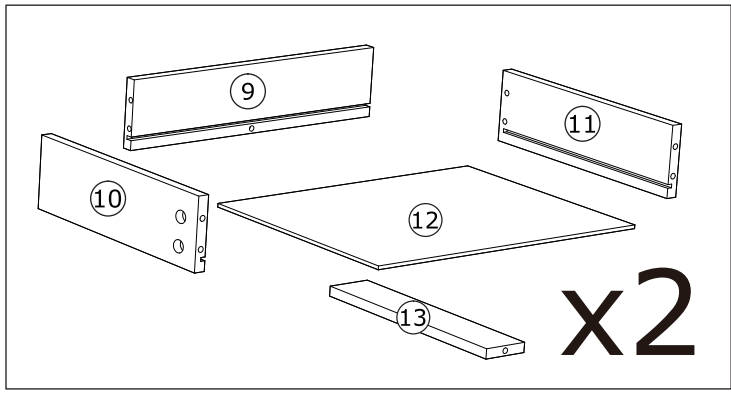
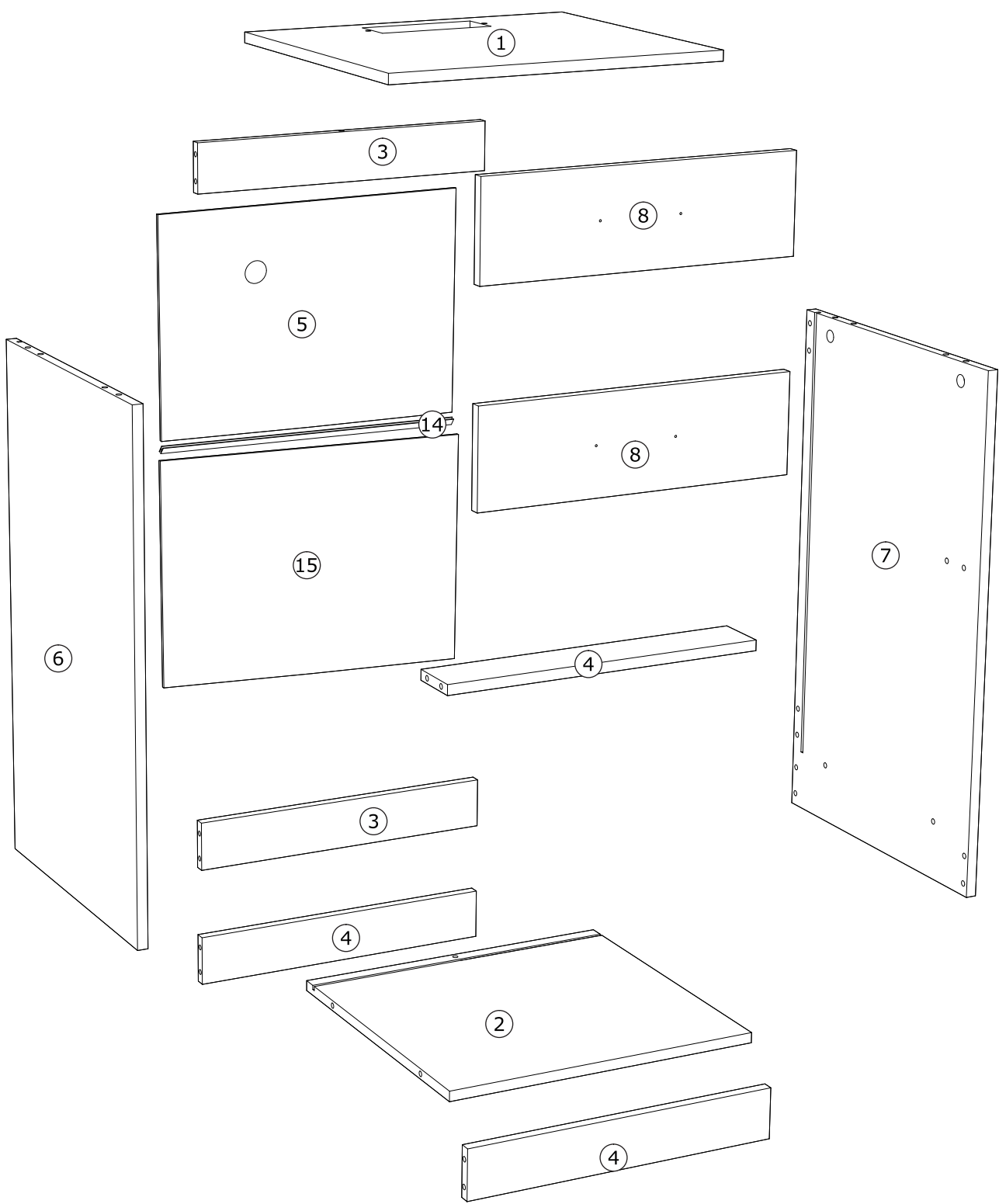


Assembly Instructions

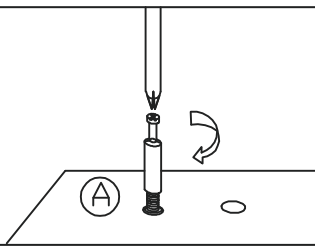
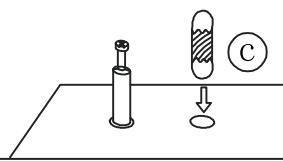
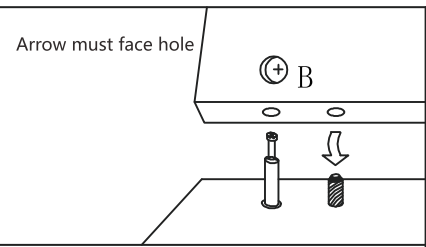
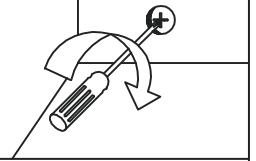
2 Drawer Nightstand with Charging Station








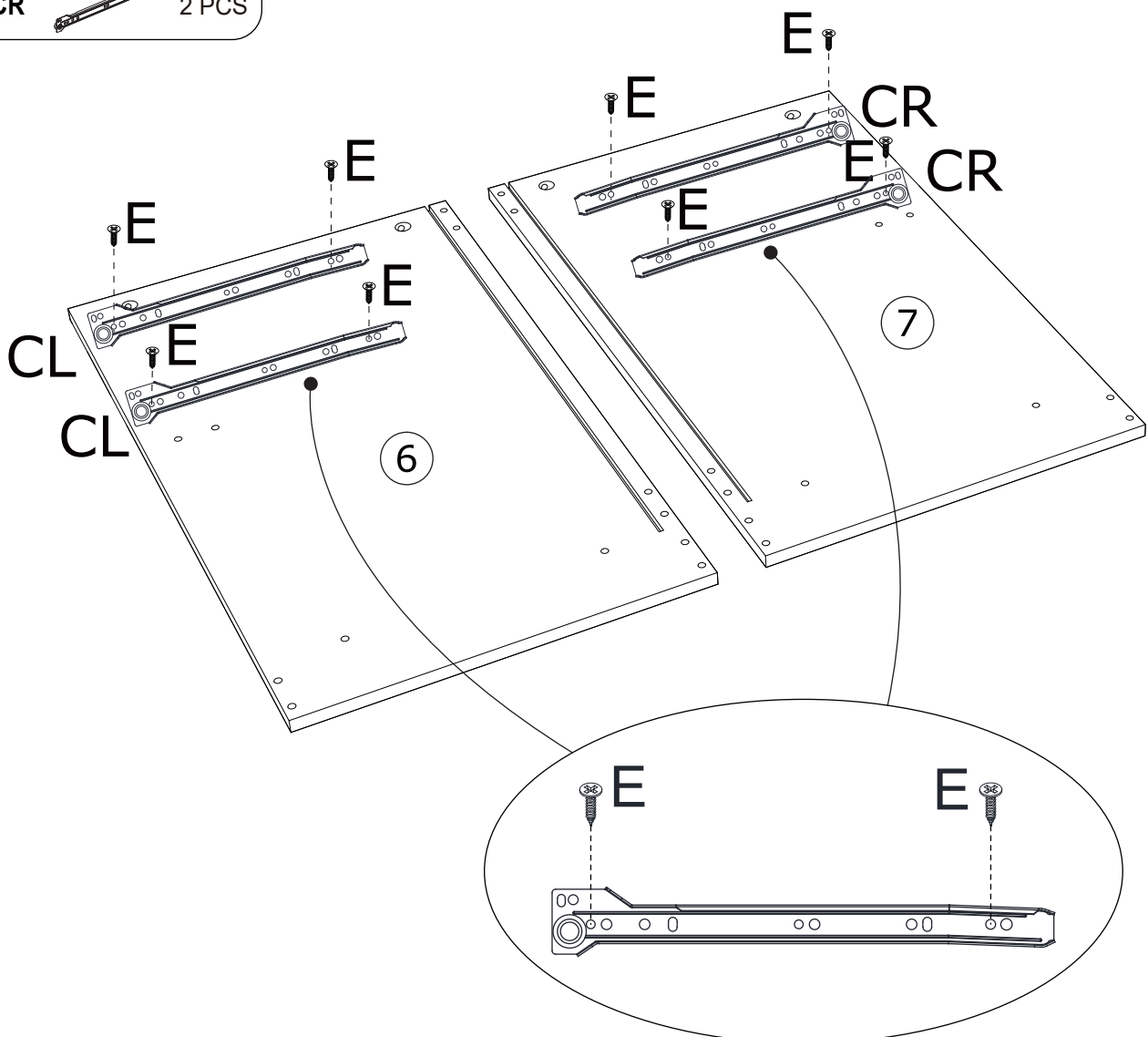


General instructions to assemble connecting pieces



		<p>Arrow must face hole</p> 	
<p>Gently screw cam bolt into the threaded anchor.</p>	<p>Insert the wood dowel halfway into hole.</p>		<p>Screw the camlock firmly into locked position.</p>

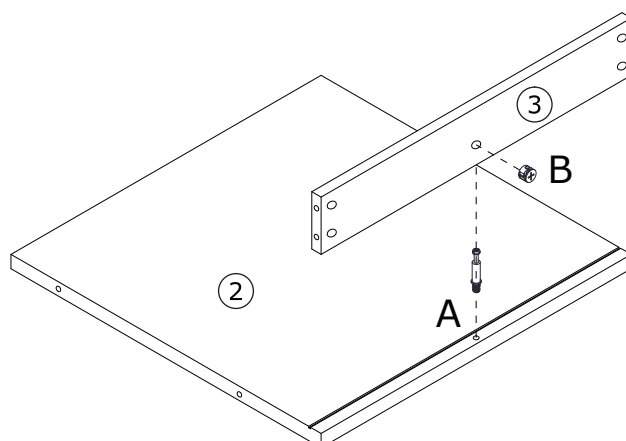
STEP1

E		8 PCS
CL		2 PCS
CR		2 PCS





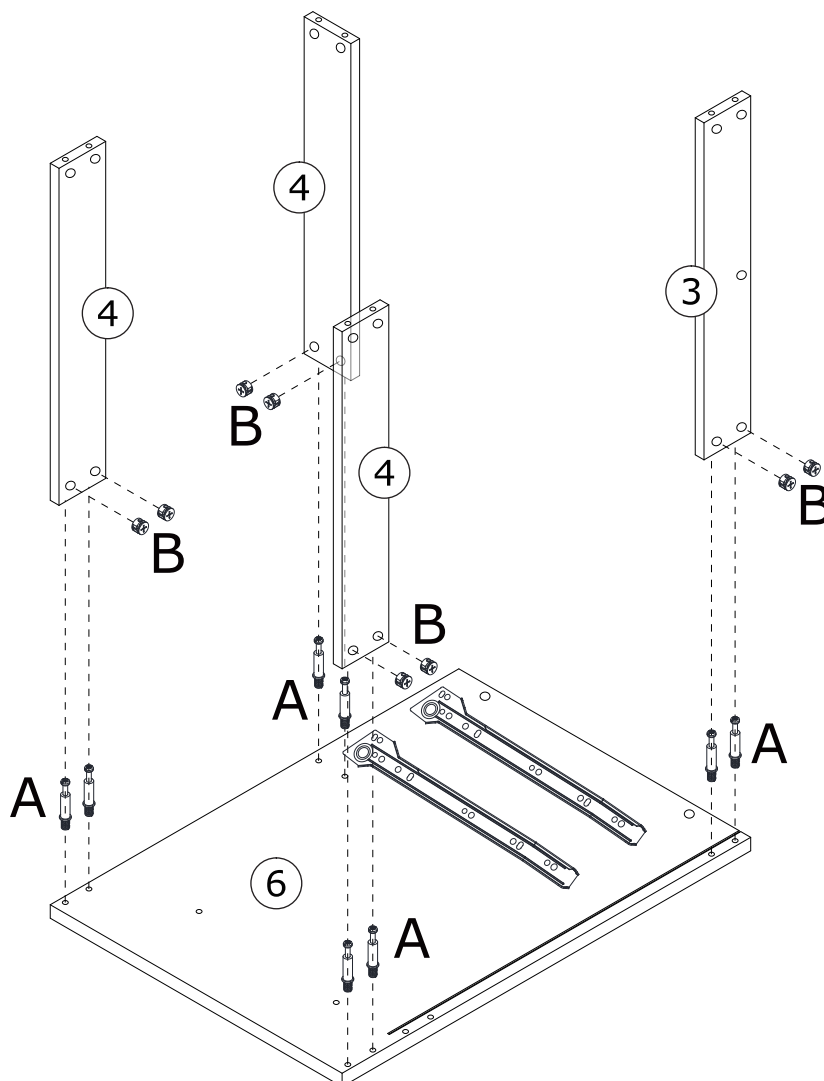
STEP4

A		1 PCS
B		1 PCS

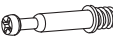



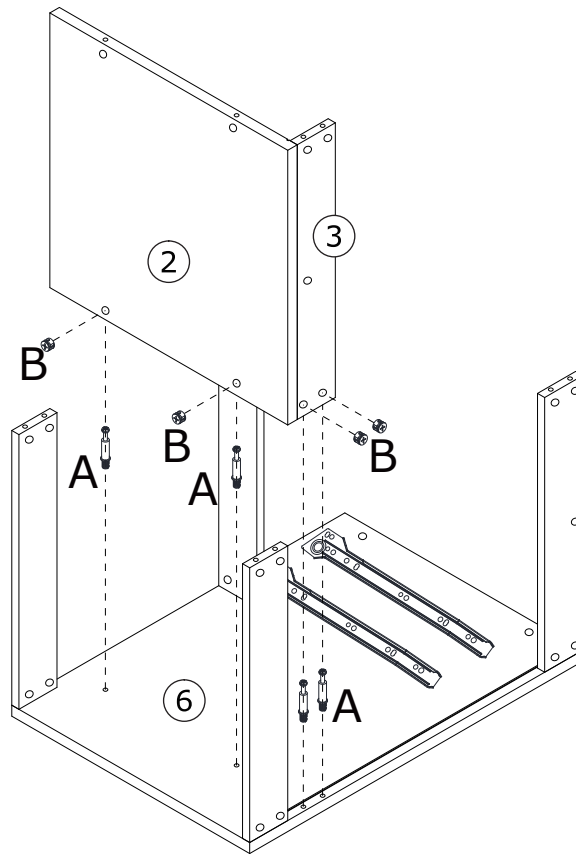
STEP6

A		8 PCS
B		8 PCS

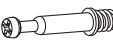



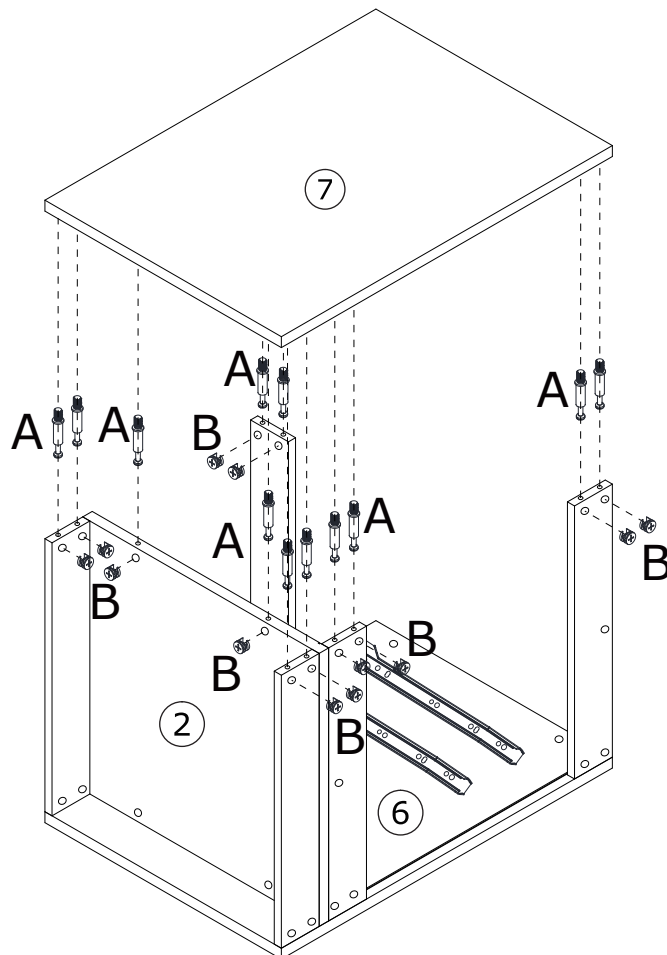
STEP7

A		4 PCS
B		4 PCS

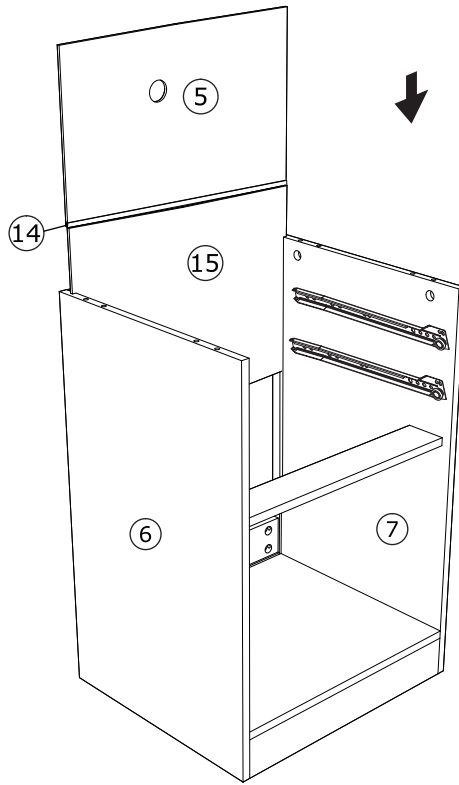


STEP9



A		12 PCS
B		12 PCS

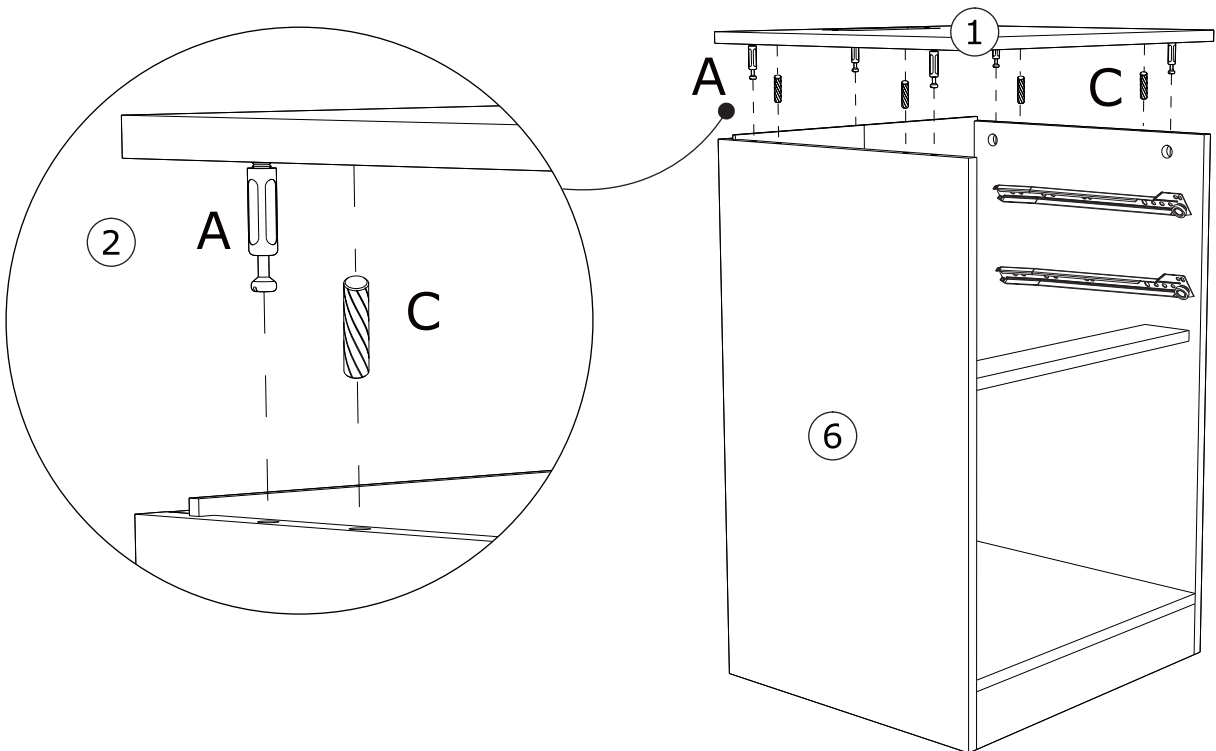


STEP10

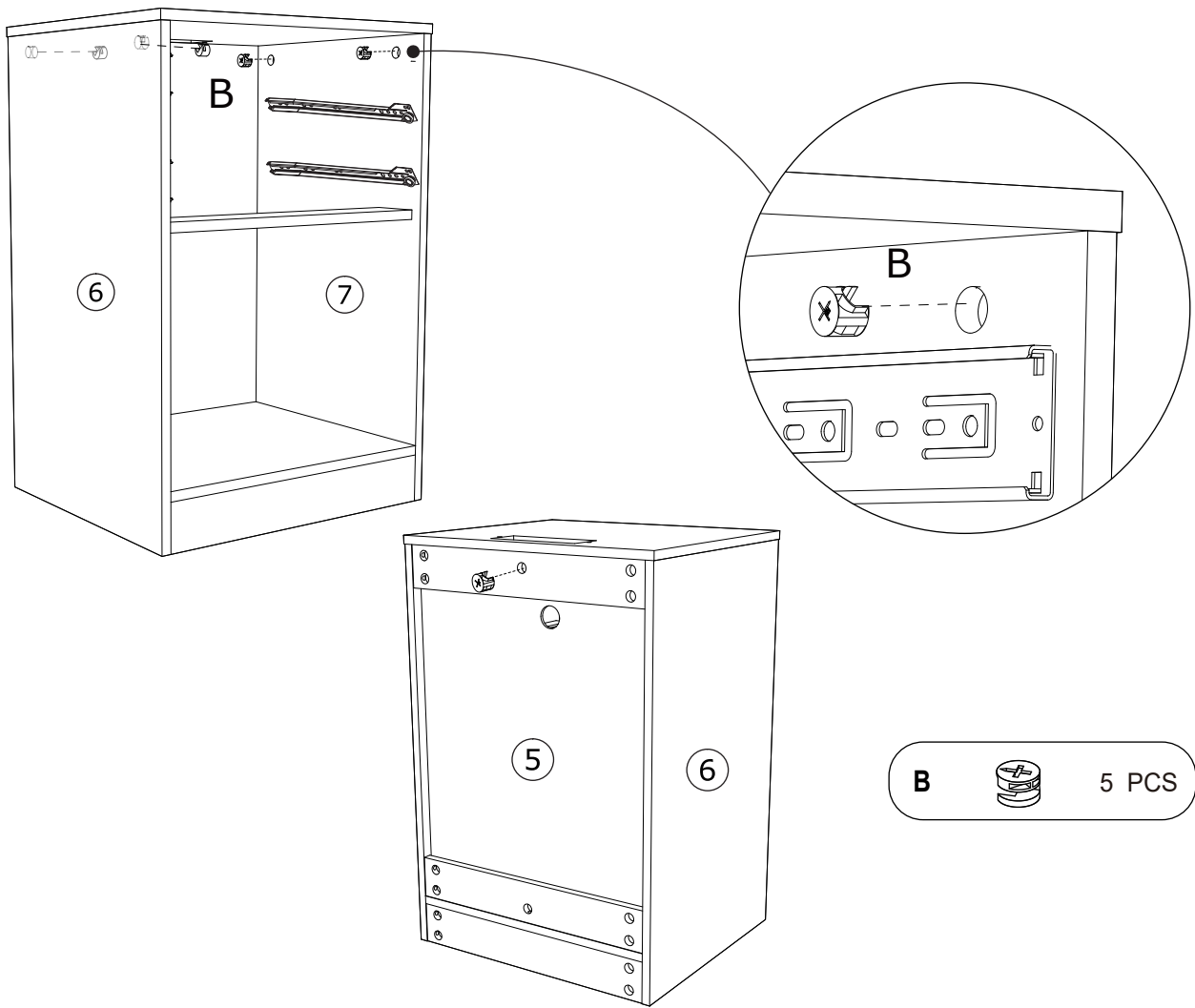


STEP12



- | | | |
|----------|---|-------|
| A |  | 5 PCS |
| C |  | 4 PCS |

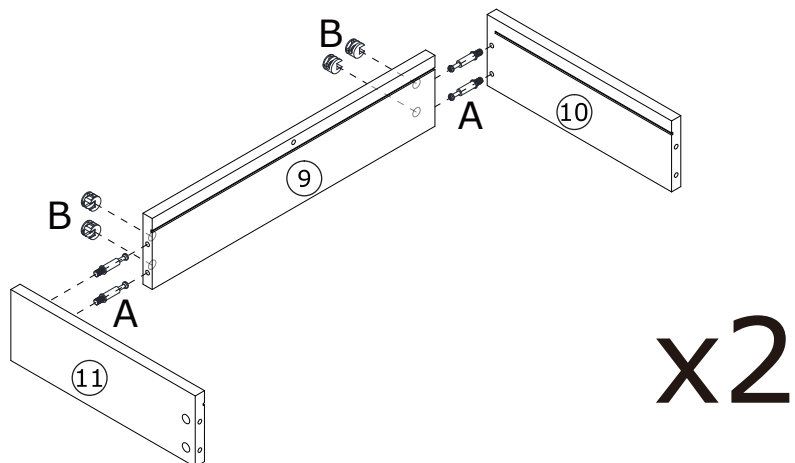


STEP13

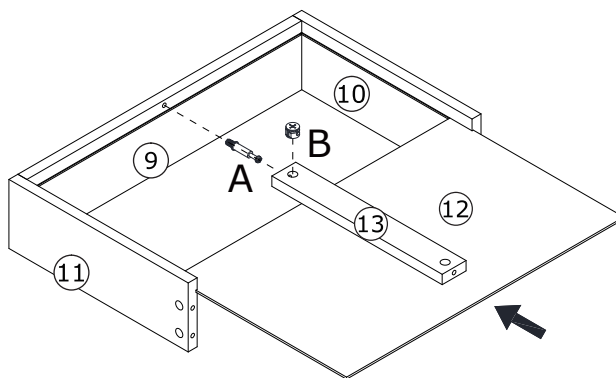
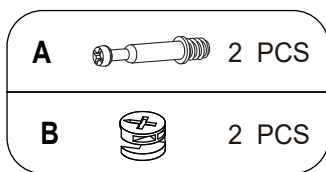


STEP15

- A**  8 PCS
- B**  8 PCS

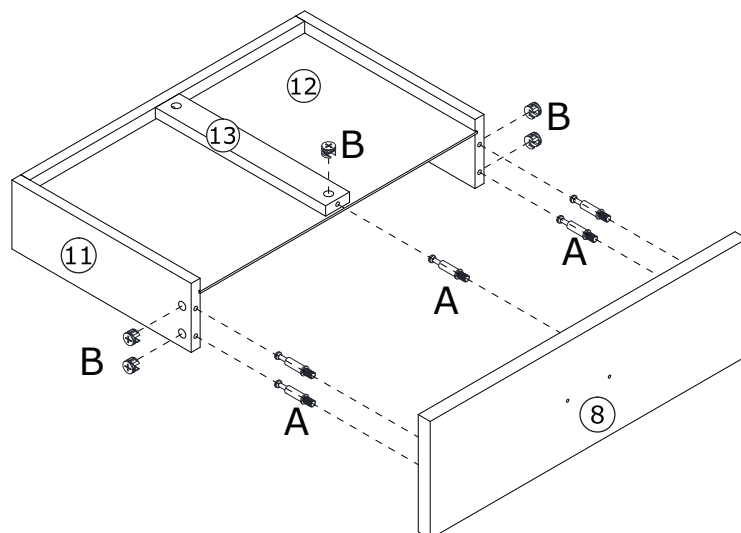
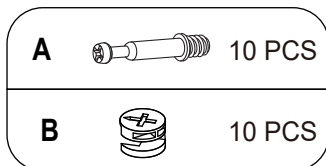


STEP13






x2

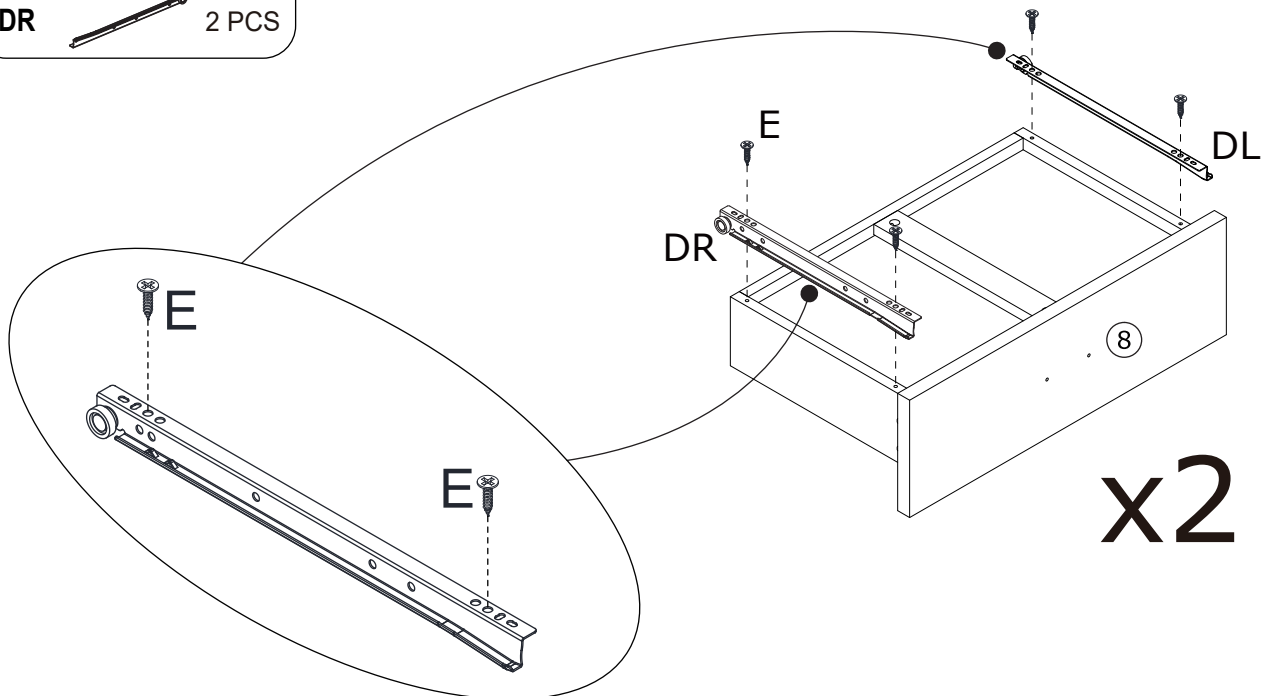
STEP13



x2

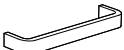

STEP13

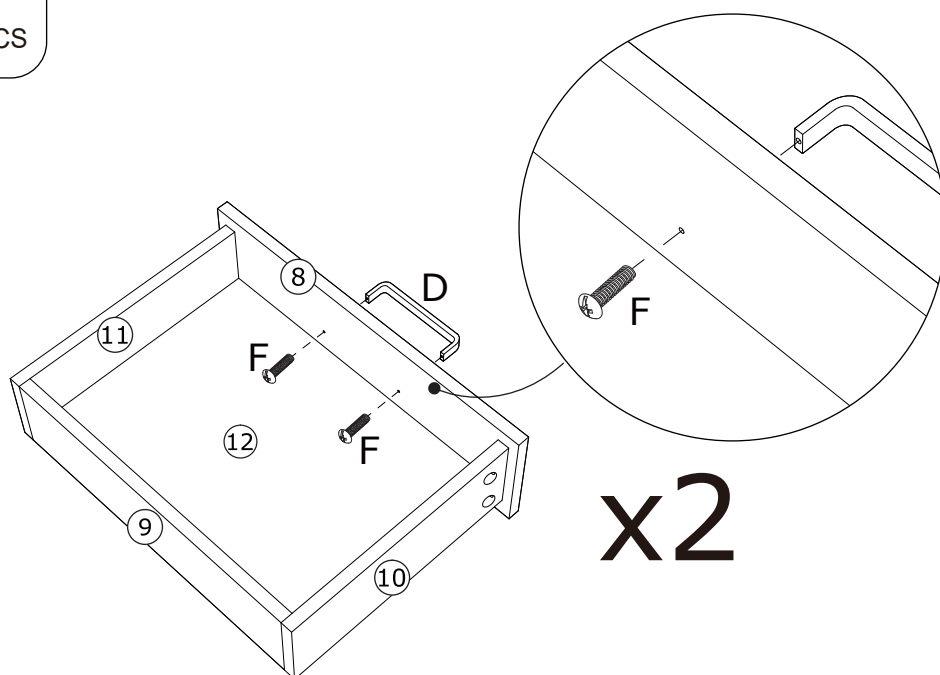
E		8 PCS
DL		2 PCS
DR		2 PCS



x2

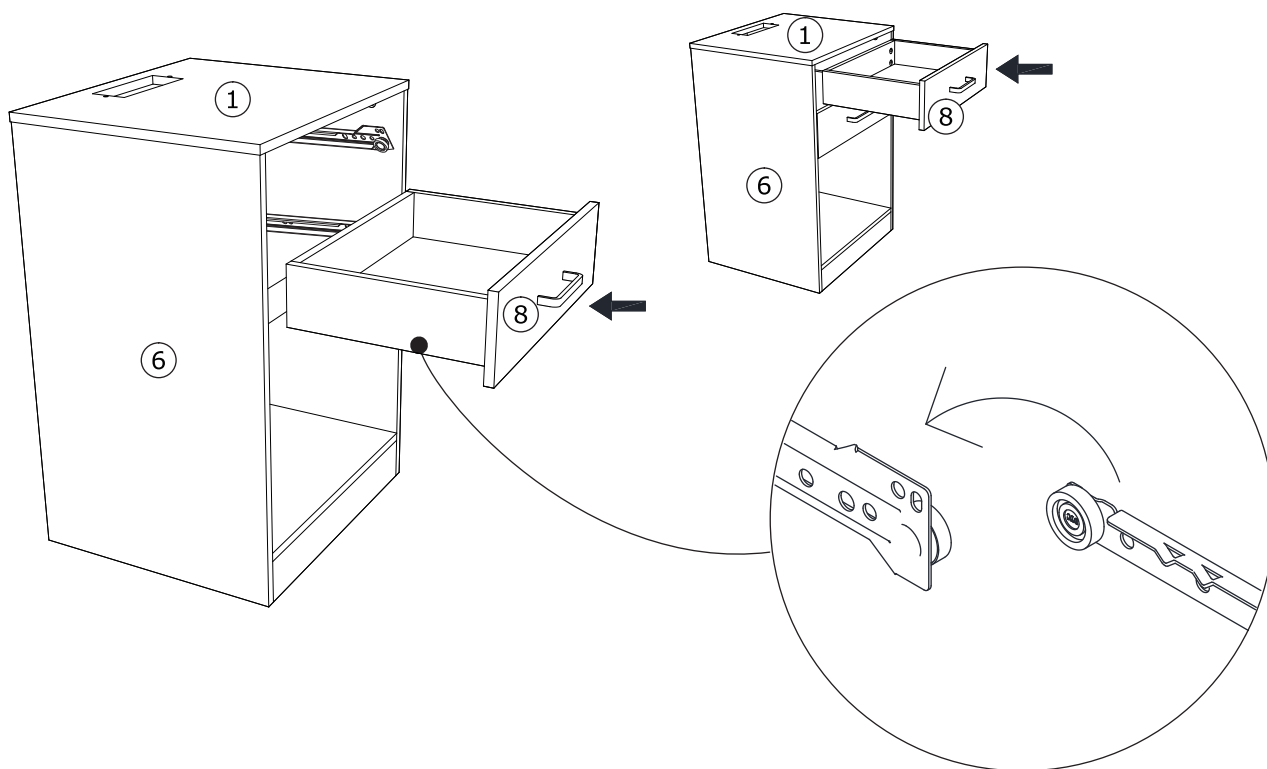
STEP13

D		2 PCS
F		4 PCS



x2

STEP13



STEP13

