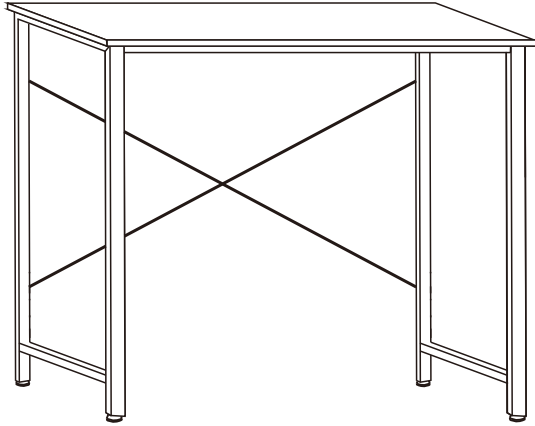


## STEP 5



Complete installation.



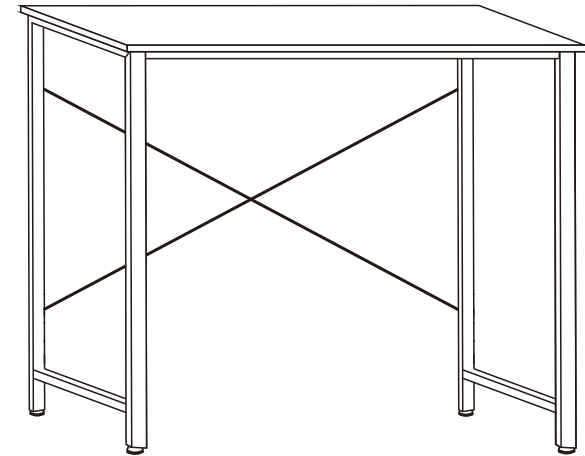
Check that all screws are tightened to ensure the table does not shake.

### Waste Disposal

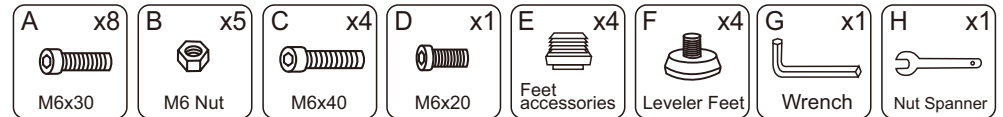
This sign indicates that the product should not be treated together with other domestic waste. In order to prevent potential harm to the environment and human beings caused by random treatment, it should be recycled to promote the sustainable reuse of material resources. When returning the equipment you use, please use the recycling and collection system or contact the retailer who purchased it. They are able to recycle while ensuring environmental safety.






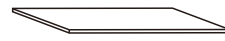
## Study Desk Instruction Manual



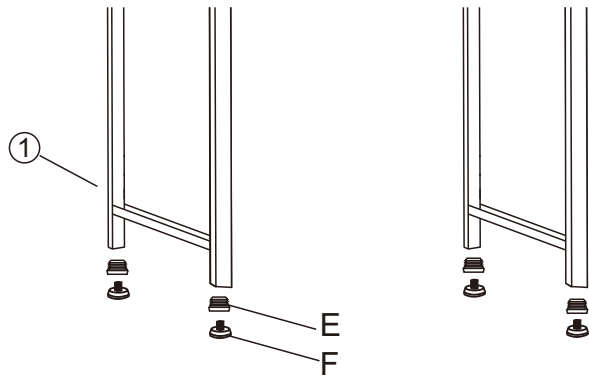
### Screws pack



### Component List

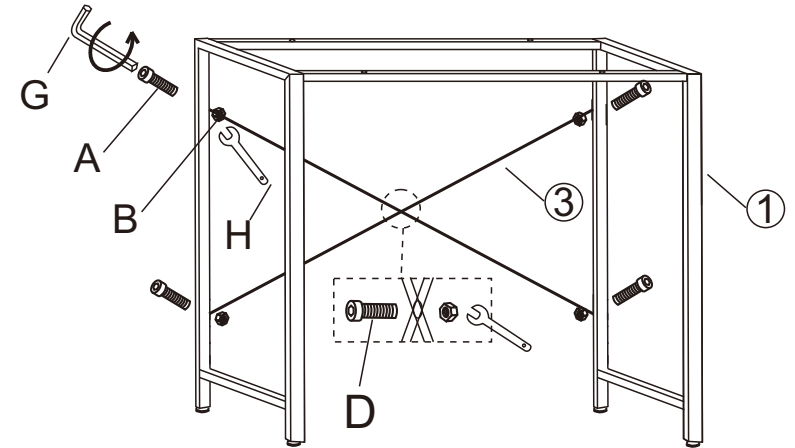
Serial number	accessories	quantity	Serial number	accessories	quantity
①	 Leg	2	②	 Center Rail	2
③	 Leg fixing bar	2	④	 Table Board	1

## STEP 1



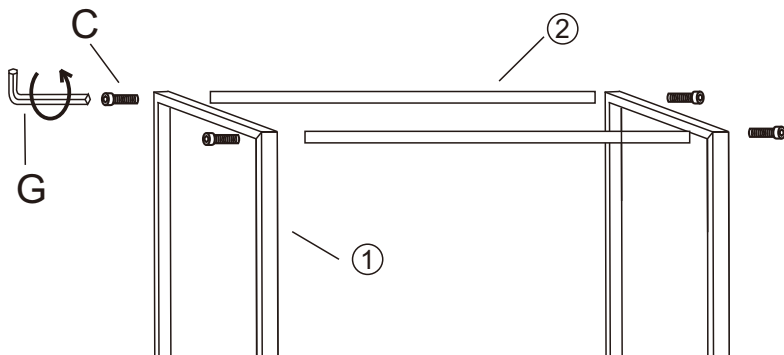
First fixed Feet accessories (E) ,  
then screw the Leveler Feet (F) into the leg ① .

## STEP 3



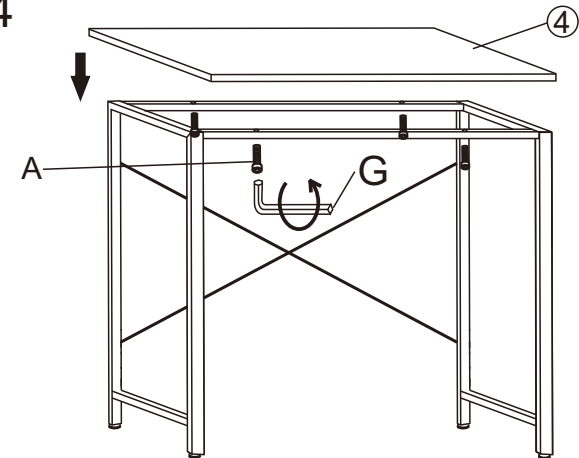
Install the leg fixing bar ③ connect leg ① ,  
by screw(A) and nut(B) ,then tighten it by wrench(G,H)

## STEP 2



Connect leg ① with center rail ② by screw (C),  
tighten by wrench (G).

## STEP 4



Connect desk stand and desk board ④ with screw(A),  
by wrench(G).