

ASSEMBLY INSTRUCTIONS

A X1PCS



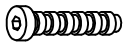
B X1PCS



C X1PCS



D X3PCS



E X3PCS



F X3PCS



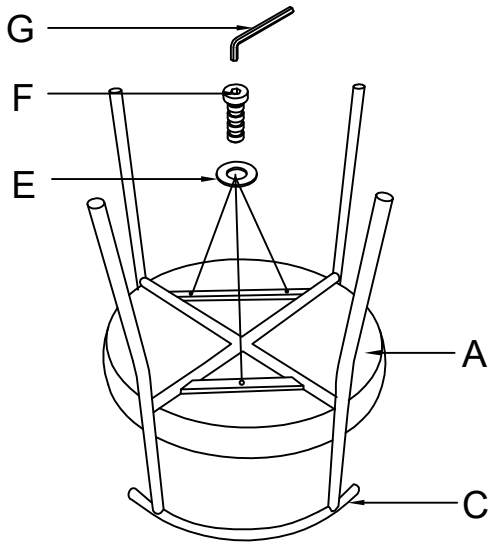
G X1PCS



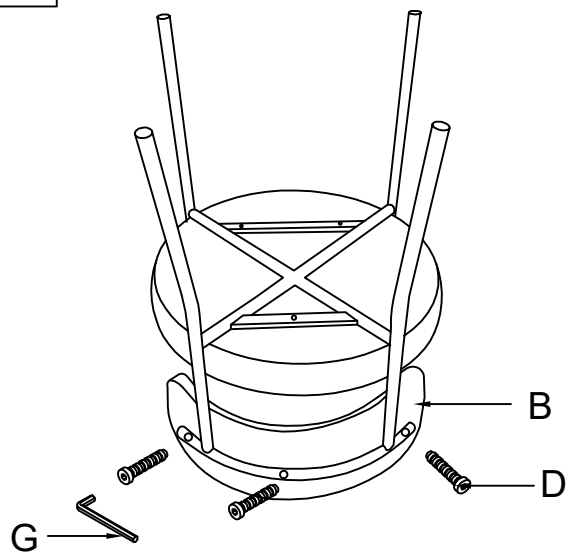
H X4PCS



1



2



3

