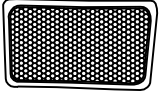


# ASSEMBLY INSTRUCTIONS

A X1PCS



B X1PCS



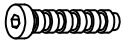
C X1PCS



D X2PCS



E X4PCS



F X4PCS



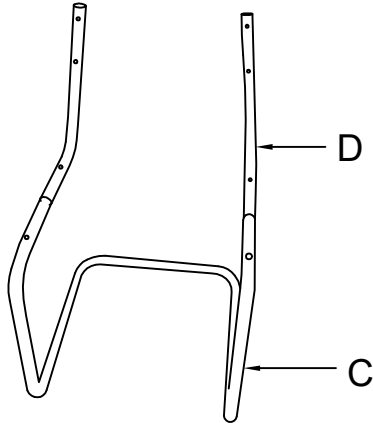
G X3PCS



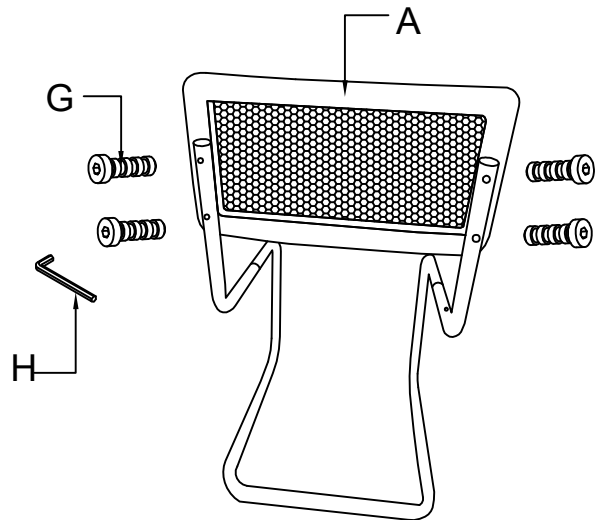
H X1PCS



1



2



3

