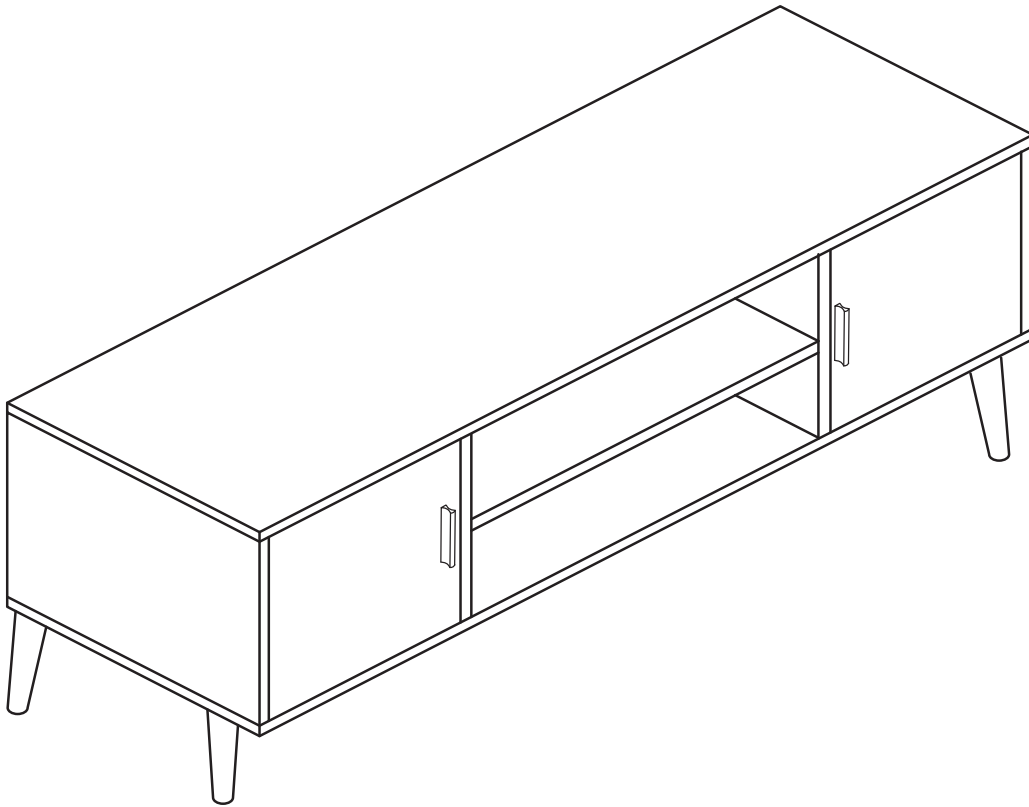












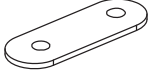
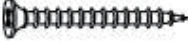

# TV Stand







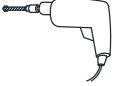
## ASSEMBLY INSTRUCTIONS

PLEASE RETAIN THESE INSTRUCTIONS FOR FUTURE USE

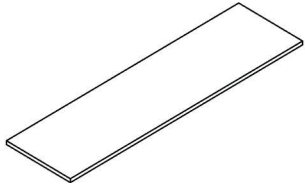
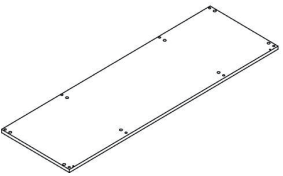
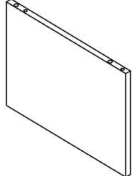


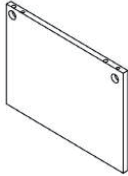
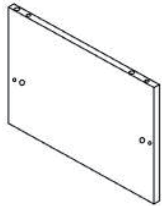
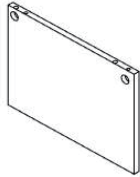
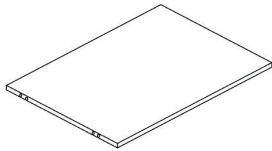
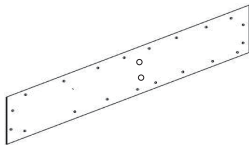
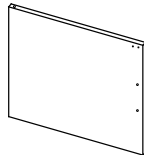
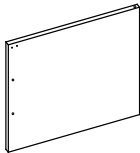


# Hardware

Label	Picture	Description	QTY
①		Cam Bolt	12
②		Dowel (M6X30mm)	20
③		Cam Nut	12
④		Screw (M2.5x10mm)	18
⑤		Screw (M4x14mm)	22
⑥		Screw (M3x16mm)	4
⑦		Screw (M3x12mm)	4
⑧		Metal Plate	4
⑨		Magnet	2
⑩		Door Pin	4
⑪		Magnetic Bar	2
⑫		Screw (M4x40mm)	10
⑬		Screwdriver (Not provided)	1
Restraint Device Hardware			

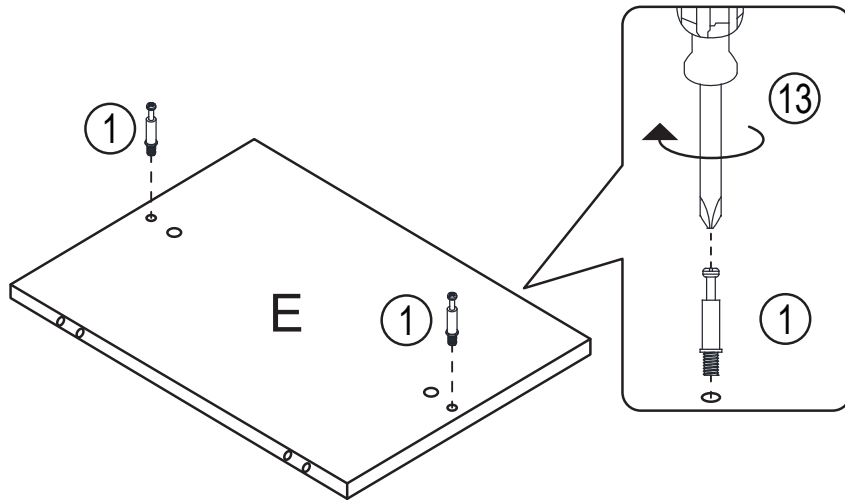
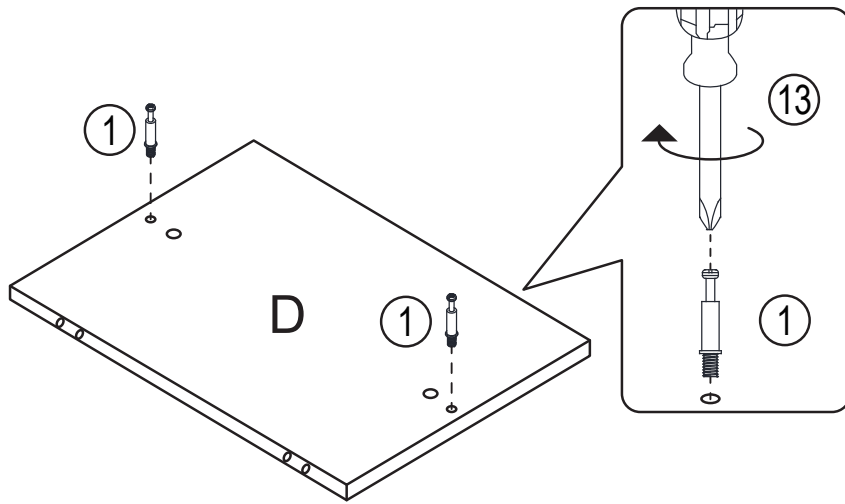
⑭		Height Adjustment Screw	1
⑮		Wall Anchor	2
⑯		Screw (M4x16mm)	4
⑰		Restraint Strap	2
⑱		Metal Gasket	2
⑲		Hammer (not provided)	1
⑳		Power Drill (not provided)	1

## Parts List

Label	Picture	Description	QTY
A		Top Panel	1
B		Bottom Panel	1
C		Left Side Panel	1

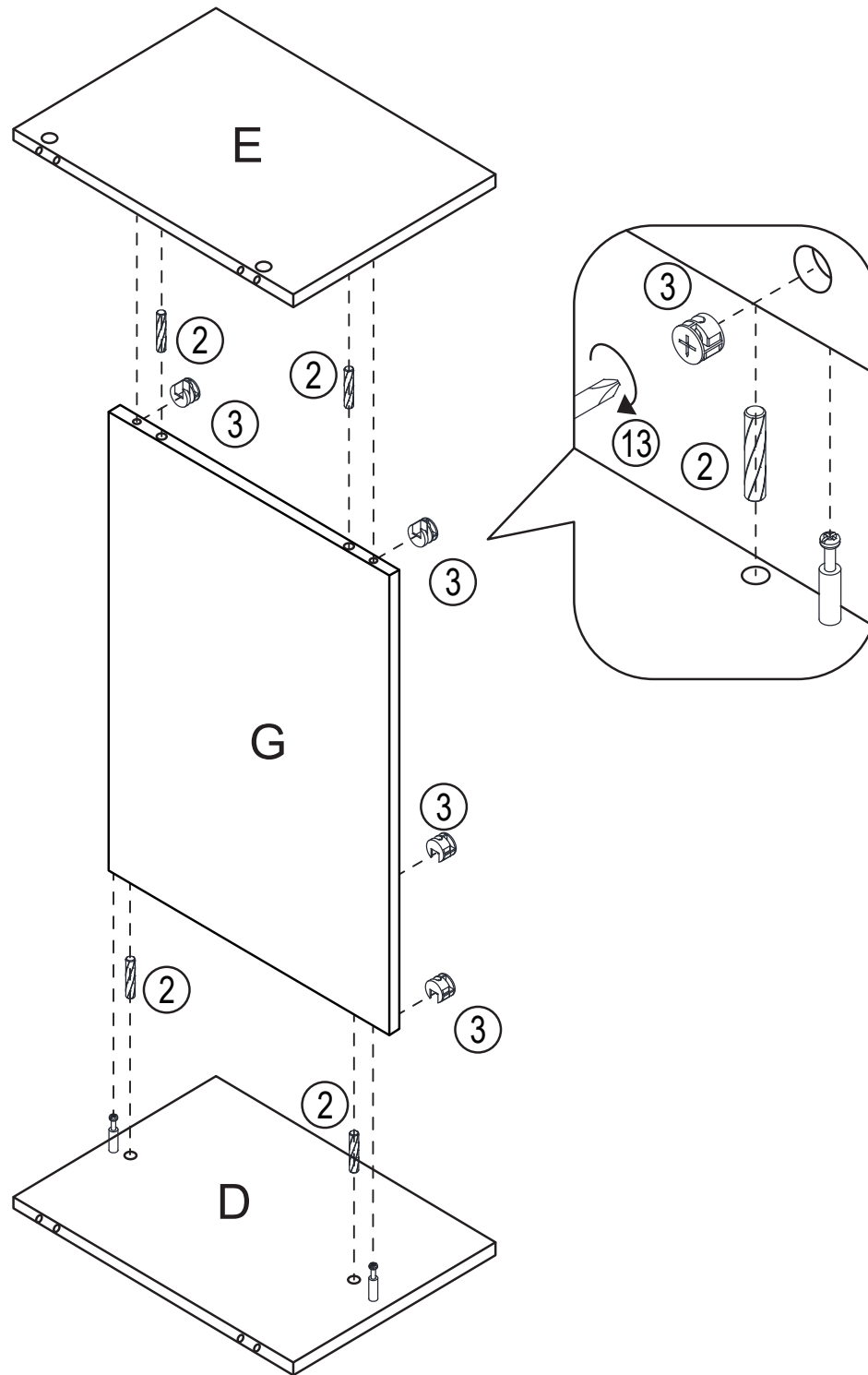
D		Middle Left Side Panel	1
E		Middle Right Side Panel	1
F		Right Side Panel	1
G		Shelf Panel	1
H		Back Panel	1
I		Left Door Panel	1
J		Right Door Panel	1
K		Leg	4
L		Support Leg	1

# Step 1



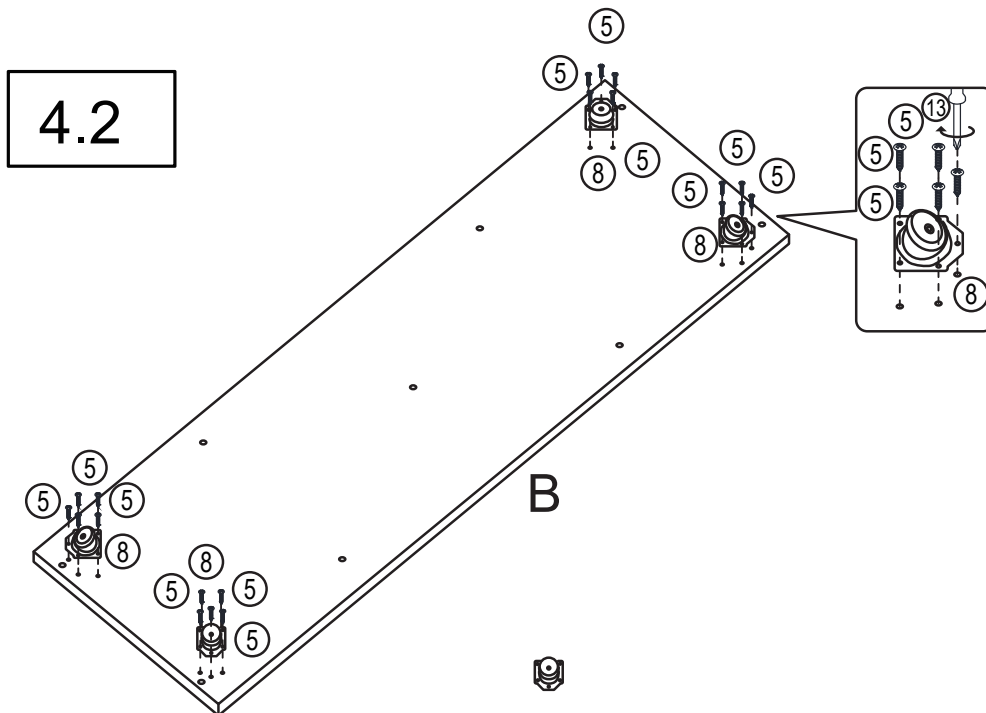
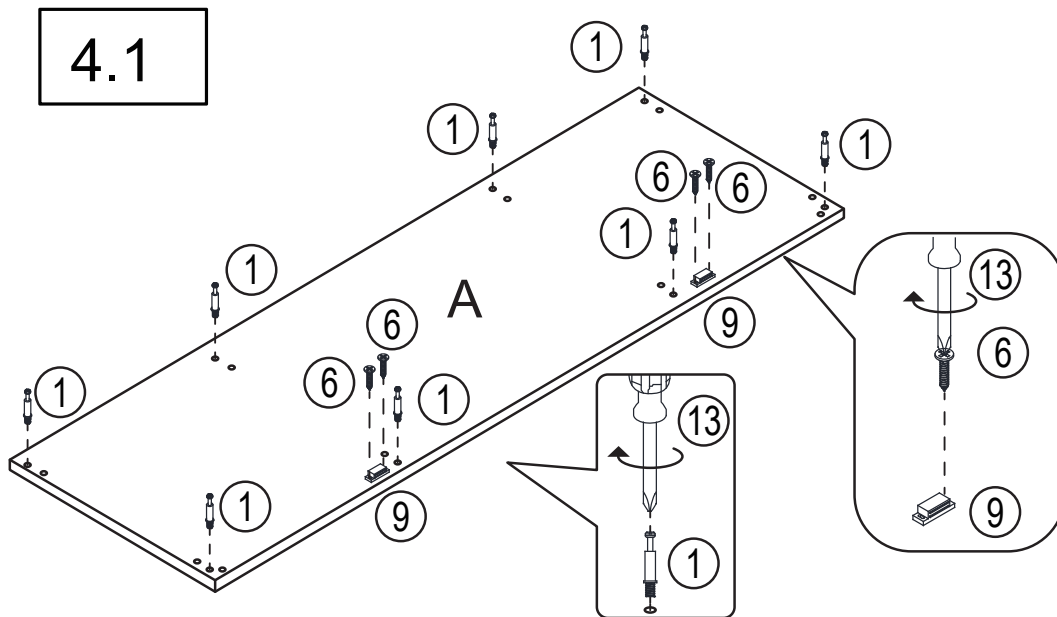
Insert Cam Bolt(①) into the mounting positions on Middle Left Side Panel(D) and Middle Right Side Panel(E) using Screwdriver(⑬) as shown.

## Step 2



Attach Middle Left Side Panel(D) to the Shelf Panel(G) with Dowel(②), then insert Cam Nut(③) into Shelf Panel(G) using Screwdriver(⑬). Attach Middle Right Side Panel(E) to the Shelf Panel(G) with Dowel(②), then insert Cam Nut(③) into Shelf Panel(G) using Screwdriver(⑬).

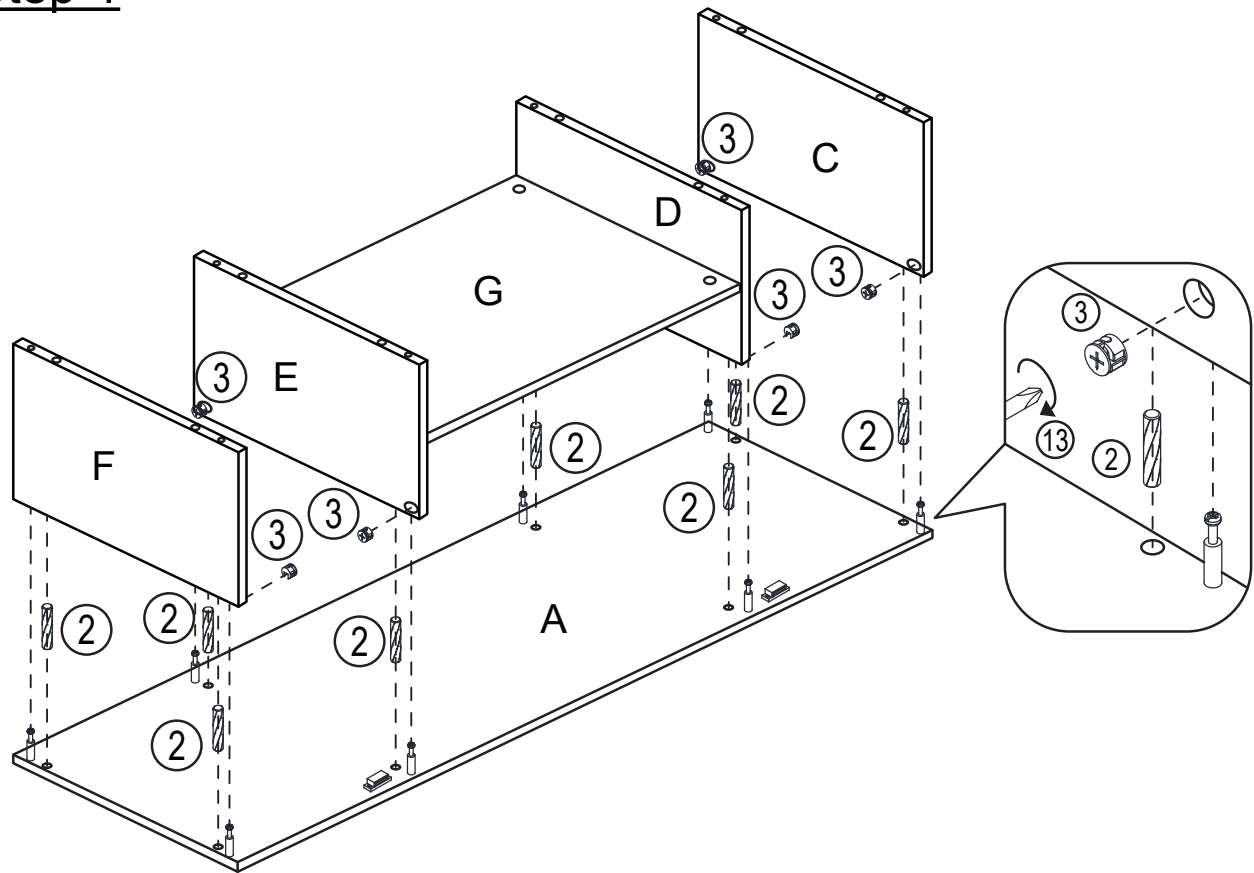
## Step 3



4.1) Insert Cam Bolt(①) into the mounting positions on Top Panel(A) using Screwdriver(⑬) as shown. Attach Magnet(⑨) to the Top Panel(A) using Screw(⑥) with Screwdriver(⑬) as shown.

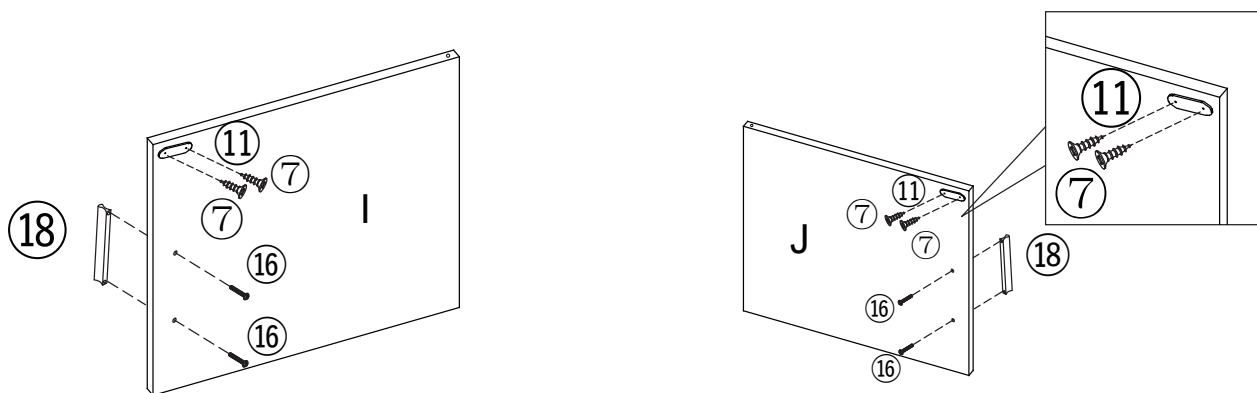
4.2) Attach Metal Plate(⑧) to the Bottom Panel(B) using Screw(⑤) with Screwdriver(⑬) as shown.

## Step 4



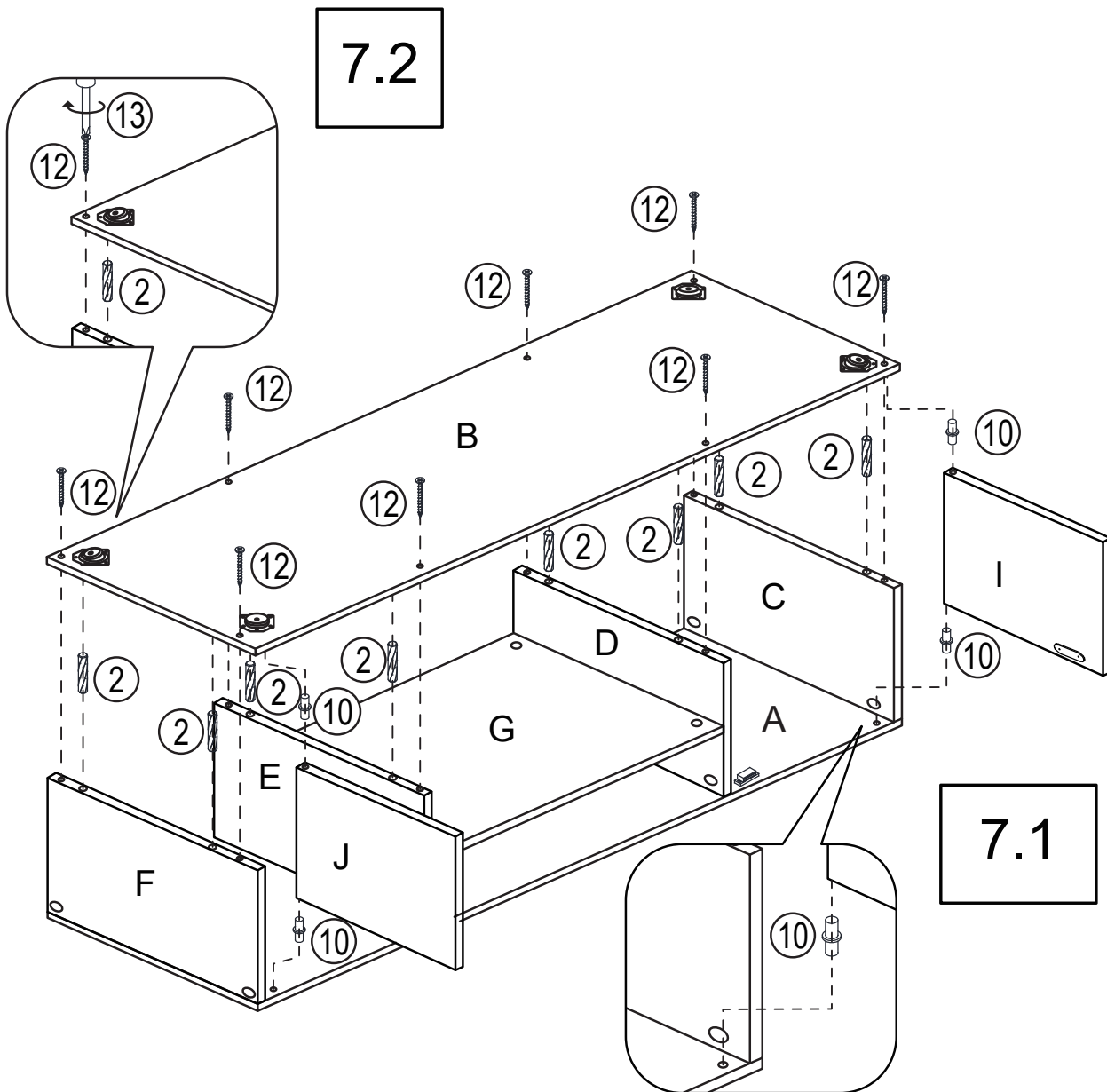
Attach Left Side Panel(C), Middle Left Side Panel(D), Middle Right Side Panel(E) and Right Side Panel(F) to the Top Panel(A) with Dowel(②), then insert Cam Nut(③) into Left Side Panel(C),Middle Left Side Panel(D),Middle Right Side Panel(E) and Right Side Panel(F) using Screwdriver(⑬) as shown.

## Step 5





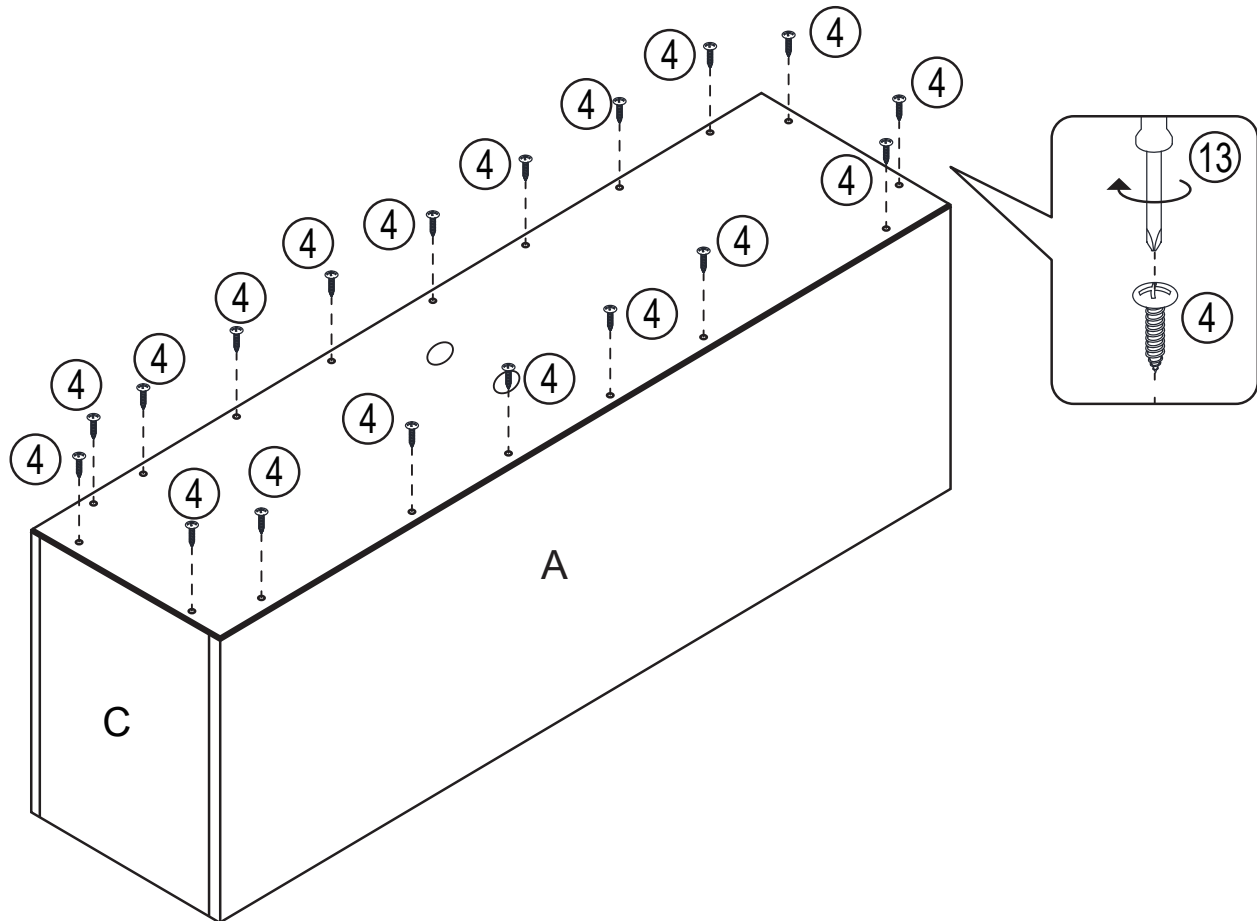
## Step 6



7.1) Attach Left Door Panel(I) and Right Door Panel(J) to the Top Panel(A) with Door Pin(10).

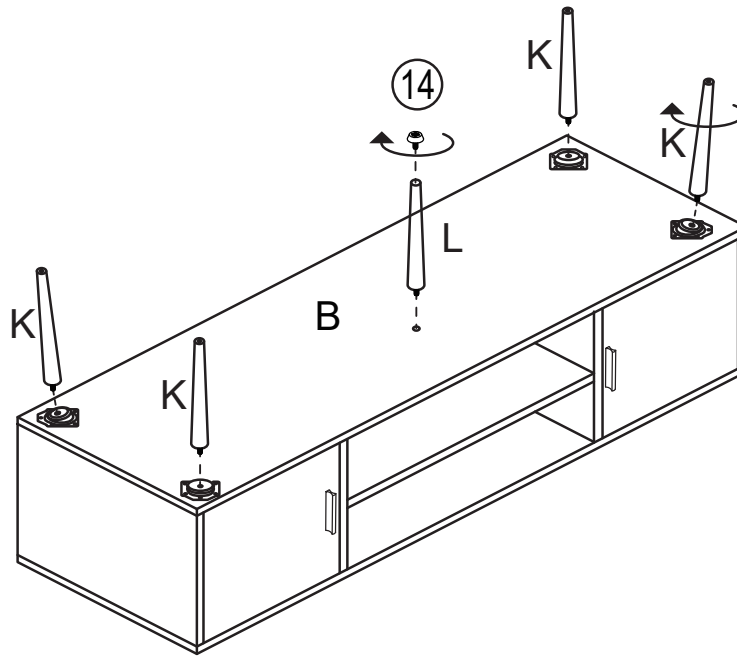
7.2) Attach Bottom Panel(B) to the Left Side Panel(C), Middle Left Side Panel(D), Middle Right Side Panel(E) Right Side Panel(F), Left Door Panel(I) and Right Door Panel(J) with Dowel(2), then insert Screw(12) into Bottom Panel(B) using Screwdriver(13) as shown.

## Step 7



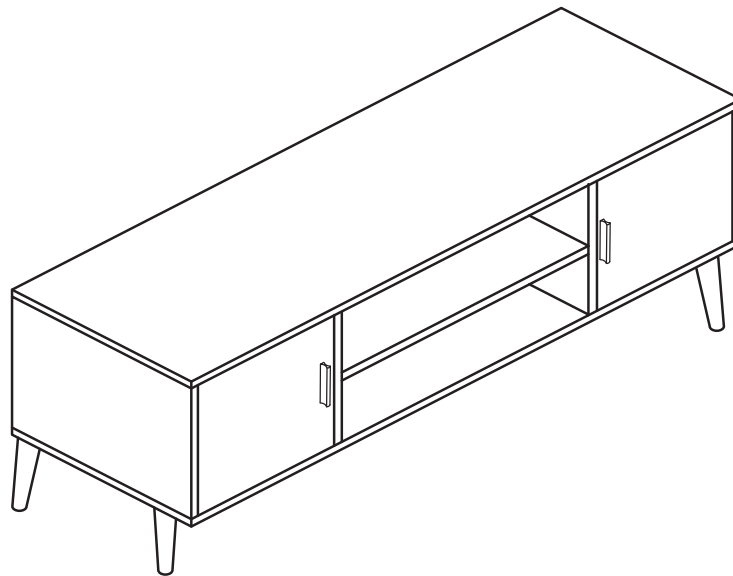
Attach Back Panel(H) to the Left Side Panel(C), Right Side Panel(F), Bottom Panel(B) and Top Panel(A) using Screw(④) with Screwdriver(⑬) as shown.

## Step 8



Attach Leg(K) and Support Leg(L) to the Bottom Panel(B), and then turn all legs clockwise to fasten them tightly.

## Step 9



Your Tv Stand is ready for use.  
This Tv Stand can only be used on a flat, level surface.



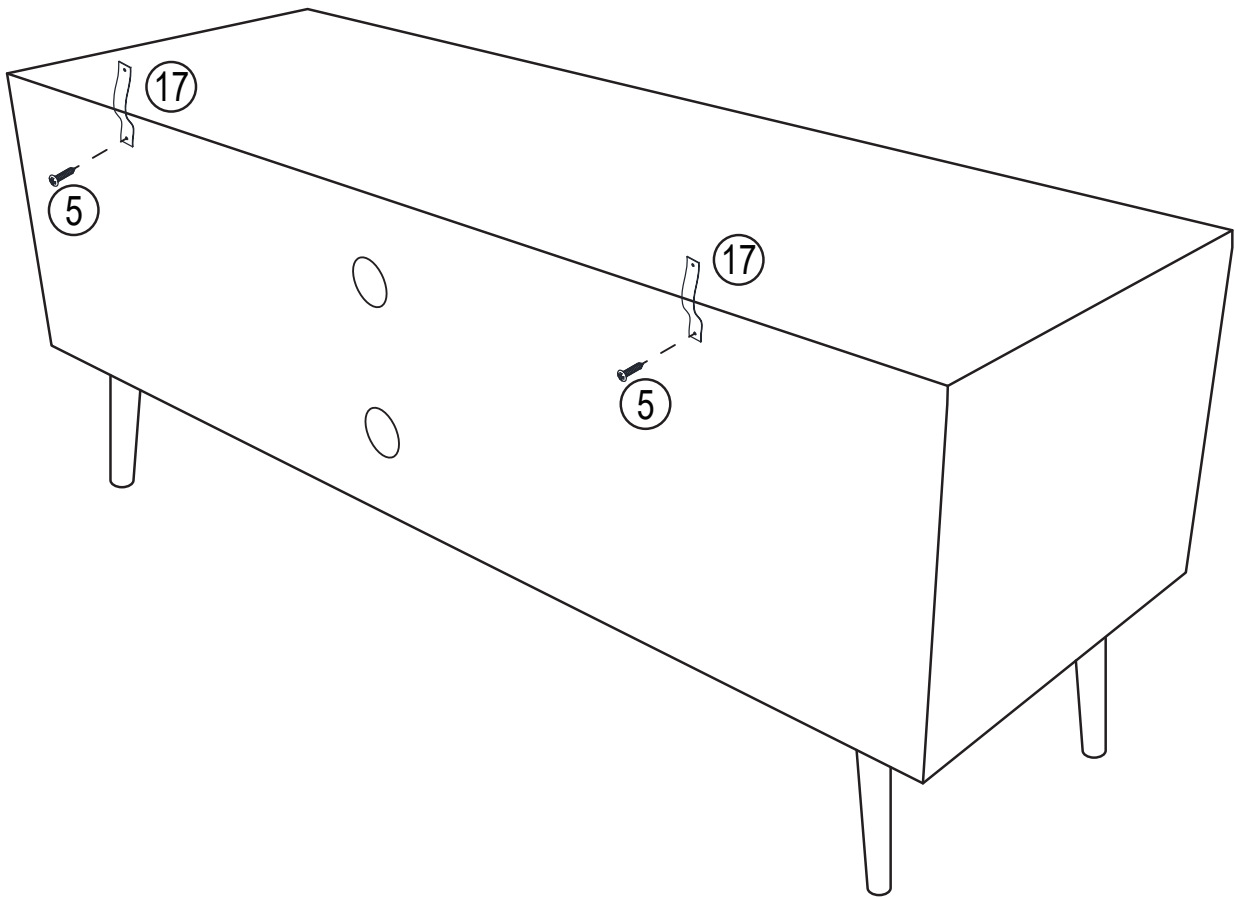
### **WARNING**

**Serious or fatal crushing injuries can occur from tipping furniture. To help prevent tip-over: ALWAYS secure this furniture to the wall using Cabinet Restraint Device. See product instructions for more ways to help prevent furniture tip-over.**

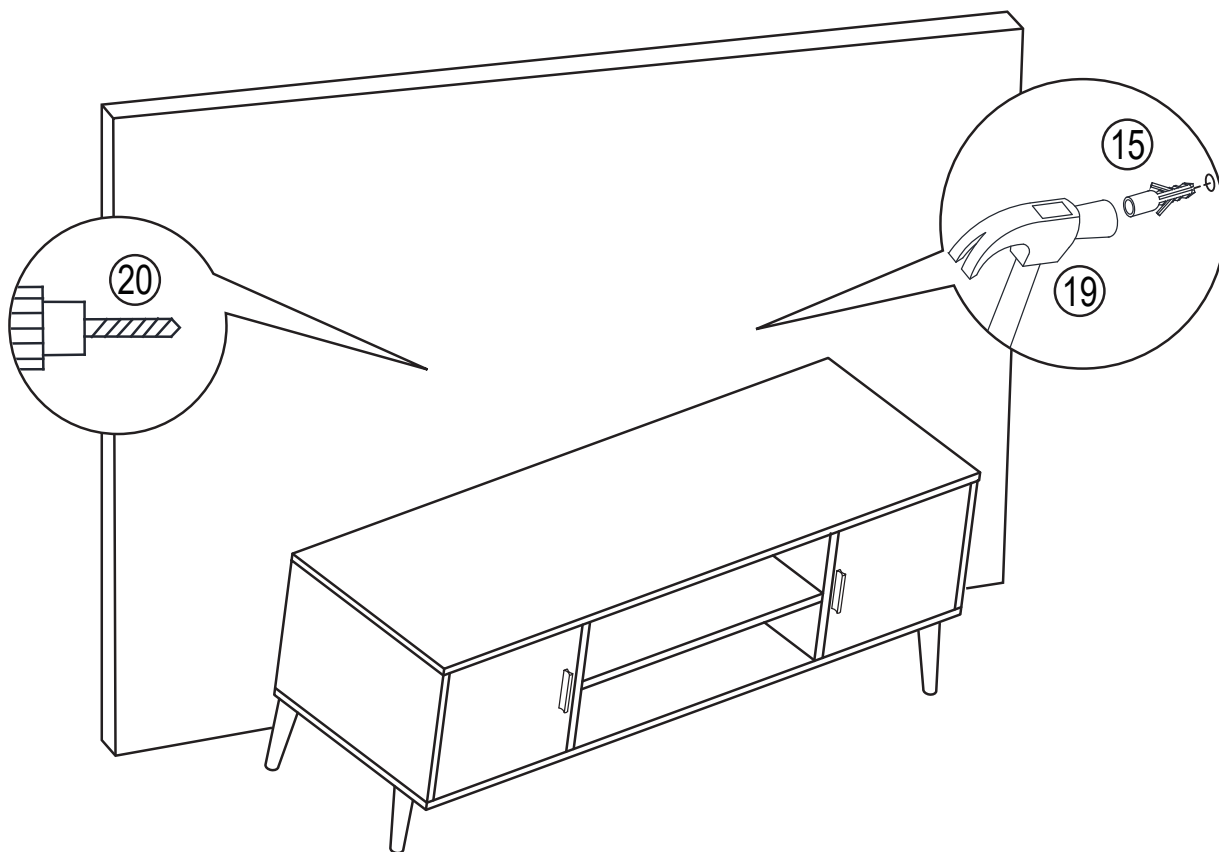


**Usage For Cabinet Restraint Device:**

**Step 10**



## Step 11



5.1) Drill two mounting positions on wall with Power Drill( ⑳ ).

You can mark these points in two ways as below:

1) Move the Table back to the wall.

Note: The restraint strap need to be secured to solid, load bearing surface. Please use a Stud Finder(not supplied) if needed to locate the Wall Frame.

2) Measure the height of Restraint Strap (⑰) with ruler/measuring tape and mark on wall to keep them accurate and same height.

5.2) Insert Wall Anchor (⑮) into drilled mounting positions on wall with Hammer(⑱).

Step 12

