

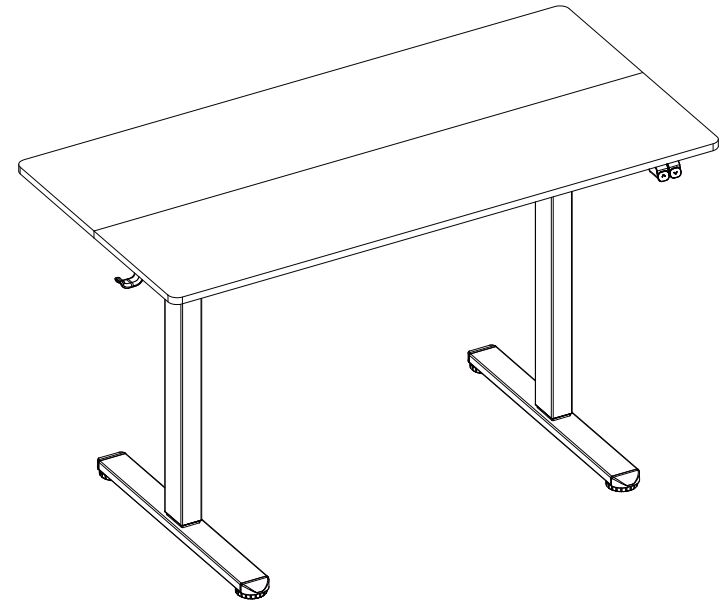


Controller Introduction

	<p>Press and hold the "↑" key of the hand controller, the lift table rises, and release the key to stop;</p>
	<p>Press and hold the "↓" key of the hand controller, the lift table will descend, and release the key to stop;</p>
<p>Reset operation</p>	<p>If for any reason the motor to adjust the table is not responding as intended, a hard reset may be needed. Please perform the following steps to reset the motor:</p> <p>Press and hold the "↓" key until 5 seconds after the lifting leg stops, the reset starts, do not release the "↓" at this time key, the lifting legs slowly descend to the lowest end, when all the lifting legs reach the lowest end and rebound 1cm, release the "↓" key, the reset operation is over.</p> <p>If there is an emergency during the reset process, you can release the "↓" key at any time, the lifting leg stops running, and the bit terminated. After the reset is terminated, the reset operation needs to be performed again until the reset is successful, otherwise other operations cannot be performed.</p>

USER MANUAL

Sit and Stand Desk Assembly Instruction



- Vertical Range: 28.3-46.5in (72-118cm)



Power Input
100V-240V



Speed
20 mm/s



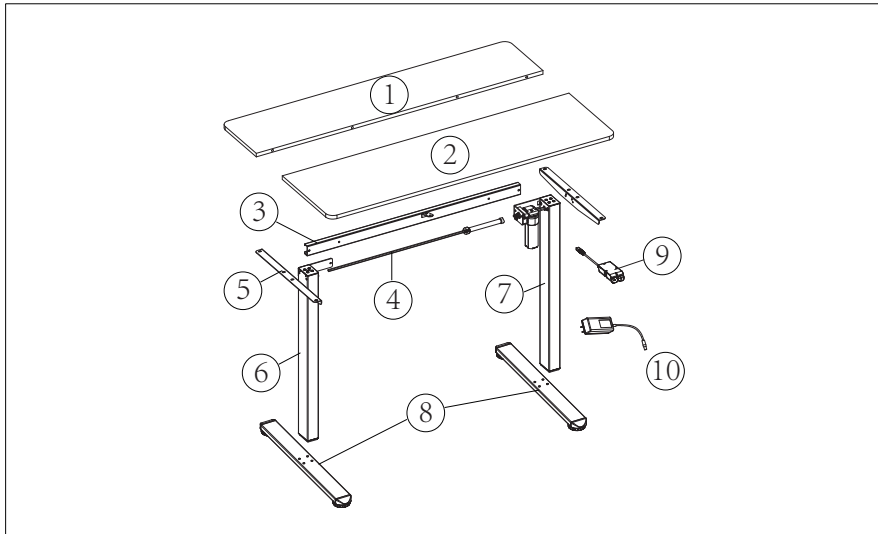
Motion Noise
<55dB



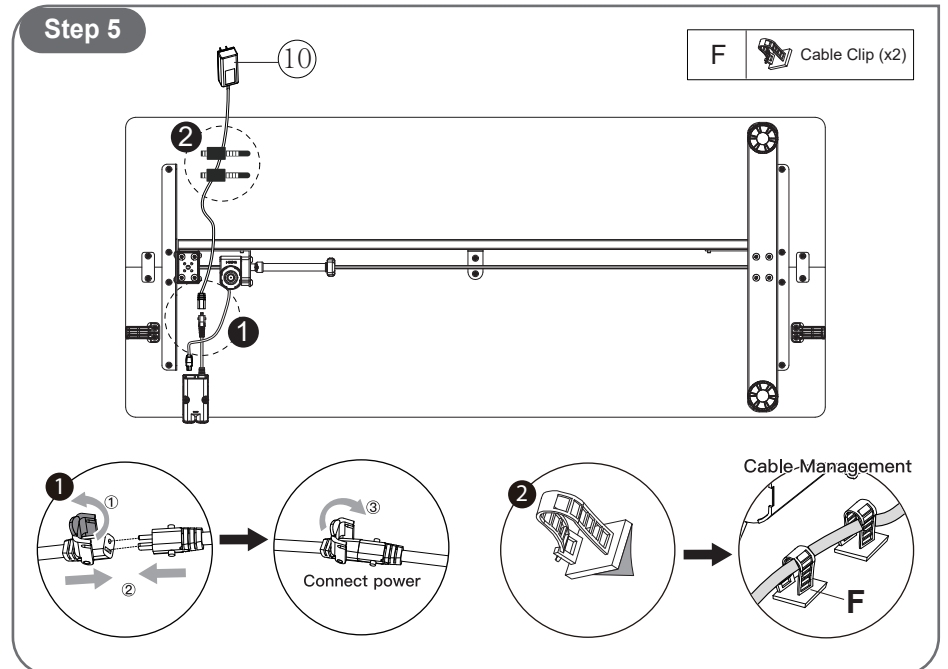
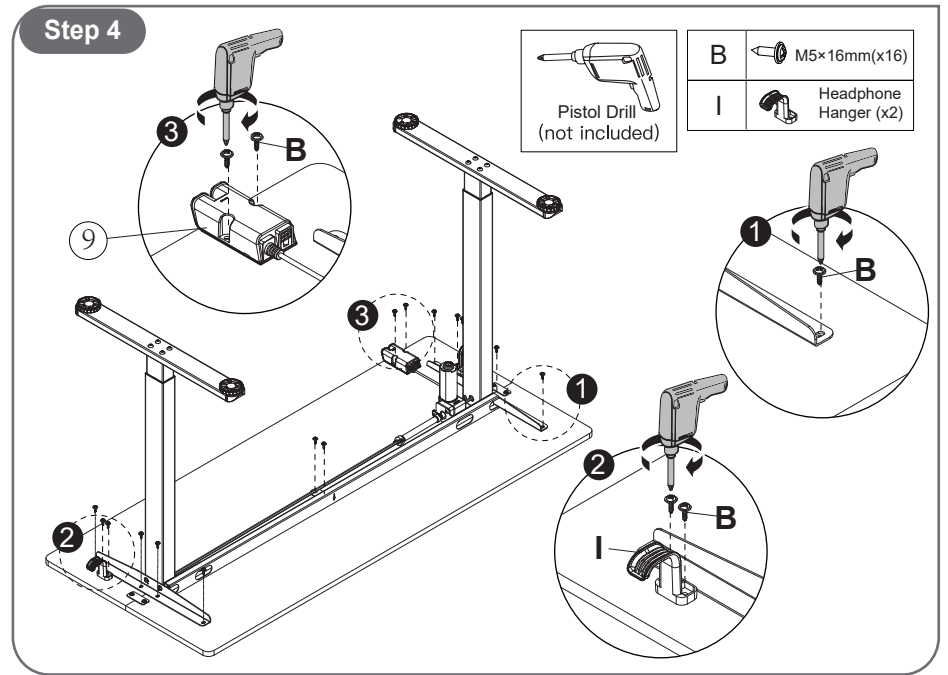
Load Capability
154 lbs / 70 kg

CAUTION: DO NOT EXCEED
MAXIMUM LISTED WEIGHT
CAPACITY. SERIOUS INJURY
OR PROPERTY DAMAGE MAY
OCCUR!

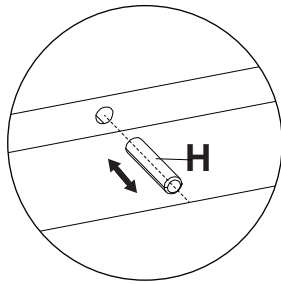
COMPONENT LIST





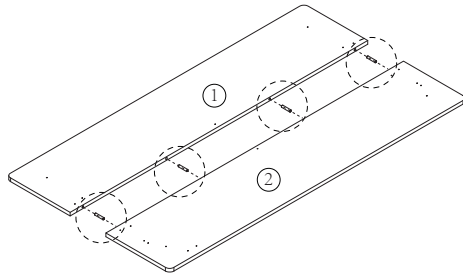
<p>① Tabletop1 (x1)</p>	<p>② Tabletop2 (x1)</p>	<p>③ Crossbar (x1)</p>
<p>④ Transmission rod (x1)</p>	<p>⑤ Side Plate (x2)</p>	<p>⑥ Left Table Leg (x1)</p>
<p>⑦ Right Table Leg (x1)</p>	<p>⑧ Leg Base (x2)</p>	<p>⑨ Control Panel (x1)</p>
<p>⑩ Power (x1)</p>		



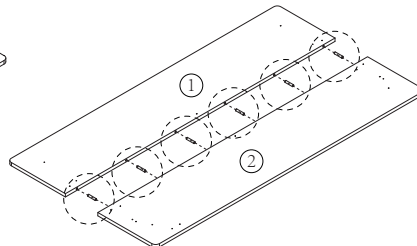
Step 3





H	 Wood Tip (x4) Suitable For Desktop Within: 1200MM
	 Wood Tip (x6) Suitable For Desktop Within: 1200MM

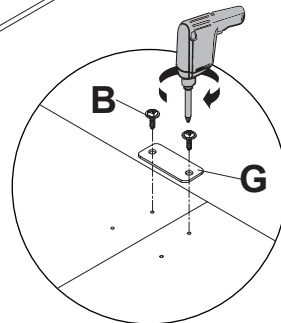
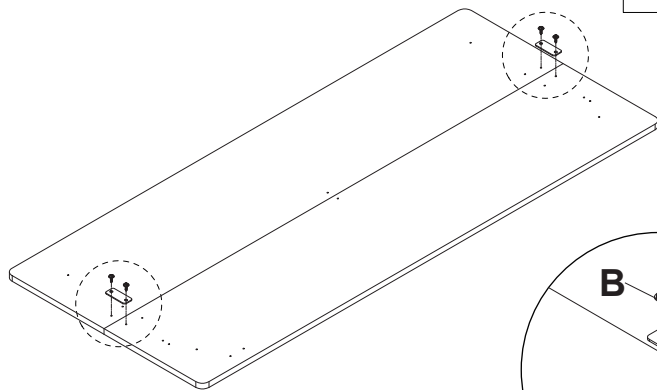


Suitable For Desktop
Within: 1200MM

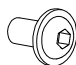
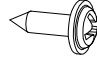
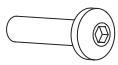




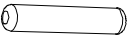
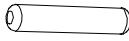
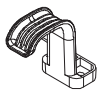


Suitable For Desktop
Within: 1400MM


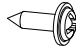
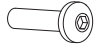

B	 M5×16mm(x4)
G	 Tabletop Connector (x2)





HARDWARE LIST

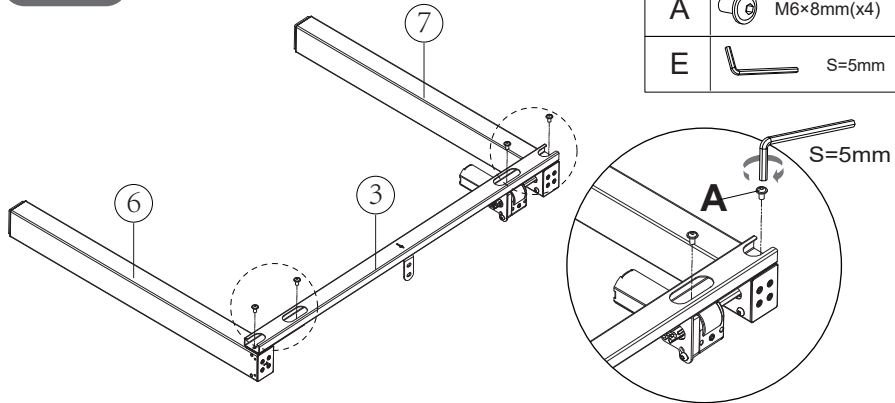
A  Screws M6×8mm (x8)	B  Screws M5×16mm (x20)	C  Screws M6×35mm (x8)
D  Allen Key S=2mm (x1)	E  Allen Key S=5mm (x1)	F  Cable Clip (x2)
G  Tabletop Connector (x2)	H  Wood Tip (x4) Suitable For Desktop Within: 1200MM	 Wood Tip (x6) Suitable For Desktop Within: 1400MM
I  Headphone hanger (x2)		

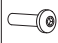

Spare Parts

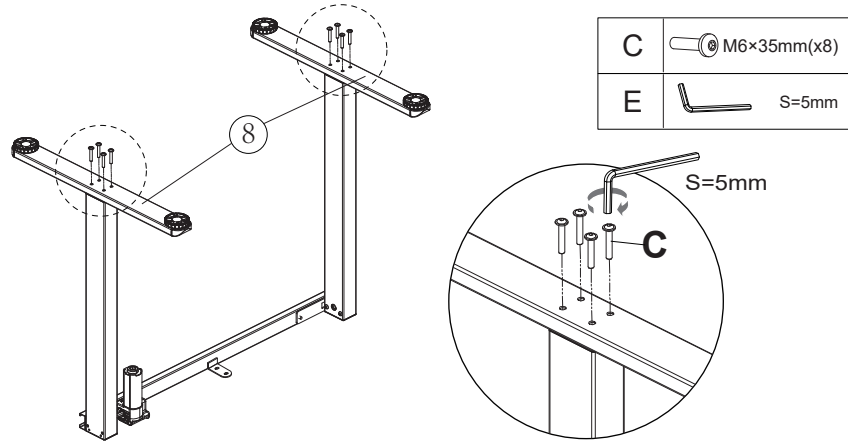
 A M6×8mm (x2)	 B M5×16mm (x2)	 C M6×35mm (x2)	 H Wood Tip (x2)
--	---	---	--



Step 1

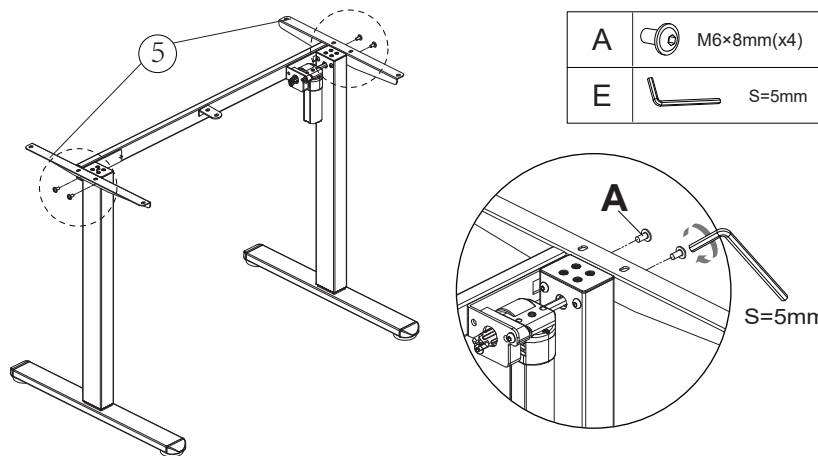
A	 M6×8mm(x4)
E	 S=5mm



C	 M6×35mm(x8)
E	 S=5mm

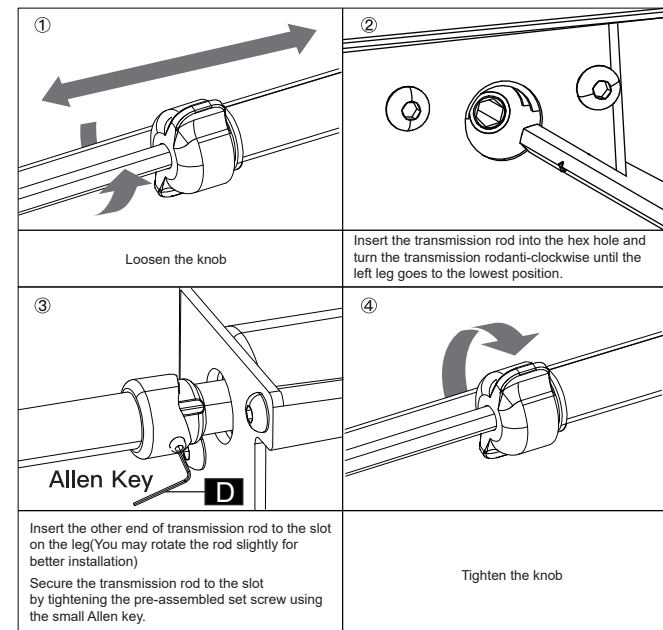
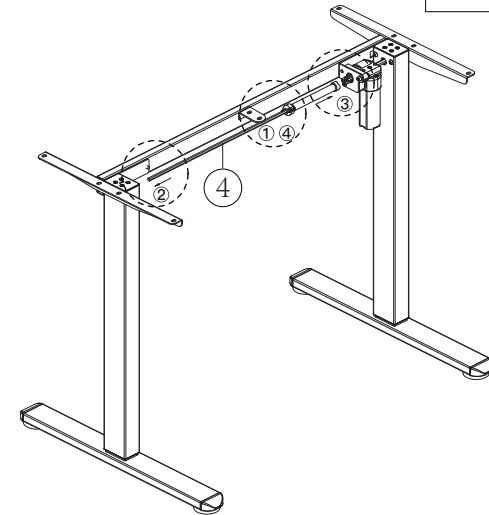


A	 M6×8mm(x4)
E	 S=5mm



Step 2

D	 S=2mm
---	---



Please note that if you find the table adjusting only on 1 side, it is very likely the transmission rod is not fully inserted into the hex hole. Please revisit step 2 and insert the rod securely.