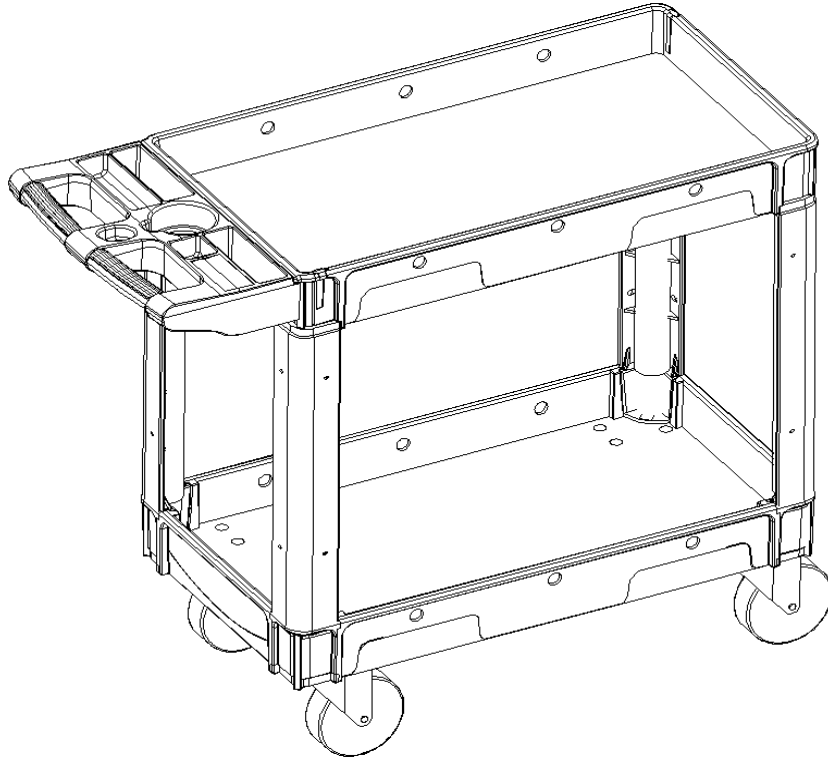


ASSEMBLY INSTRUCTIONS



SAFETY WARNINGS AND CAUTIONS

- Review all instructions before assembling the cart.
- Improper assembly can cause personal injury and/or property damage
- Do not overload cart. See specifications for load capacity (Distributed evenly).
- Do not step into or on the cart, or use it as a toy

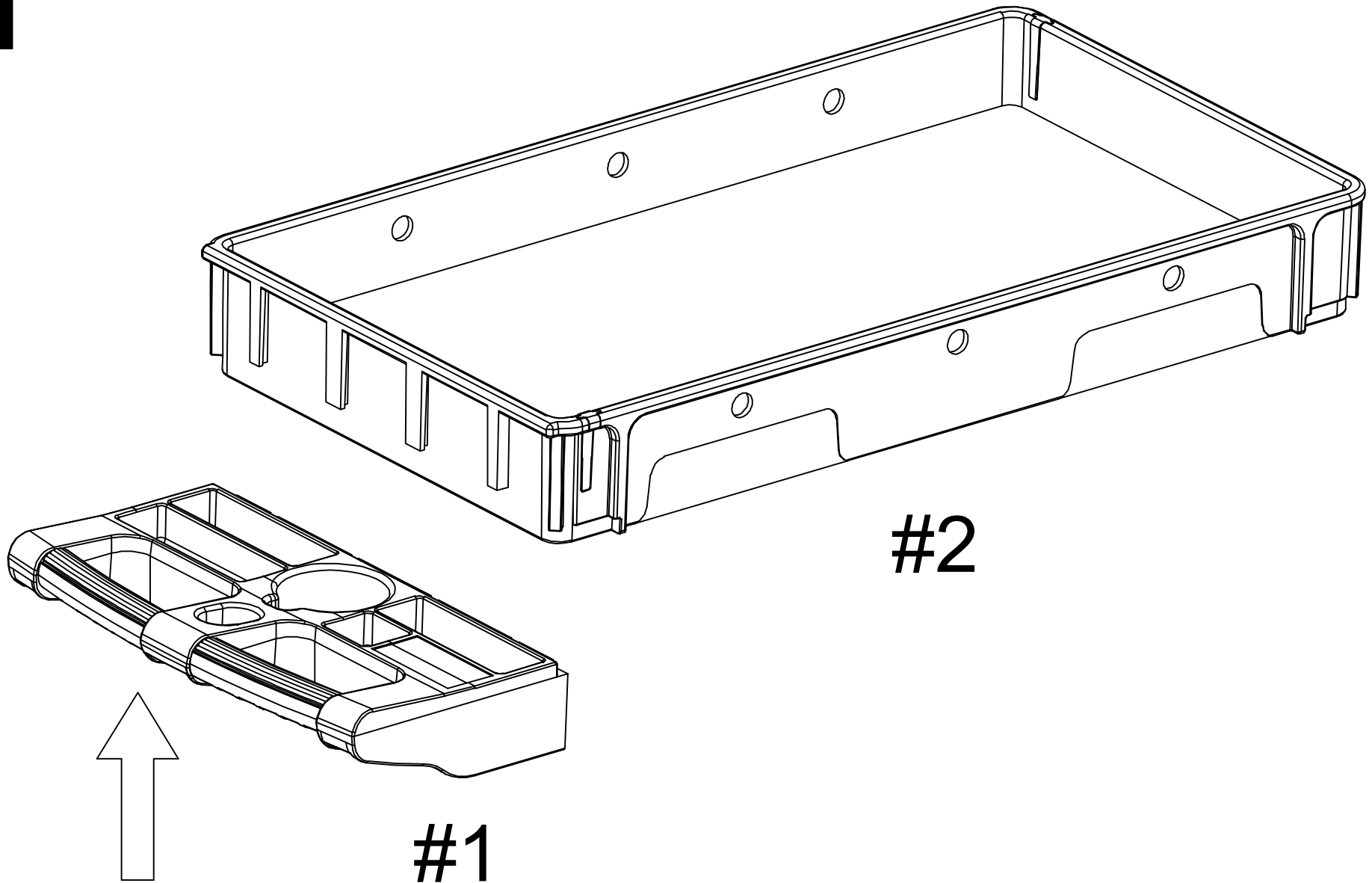
Specifications	
Load Capacity:	250kg
Upper Platform Size:	450mm x225mm x 805mm
Upper Platform Height:	745mm
Castor Size:	101.5mm
Dimensions (LxWxH):	810mm x450mm x100mm
Net Weight:	13.5kg
Gross Weight:	15.5kg

ASSEMBLY

Tools are required: Screwdriver

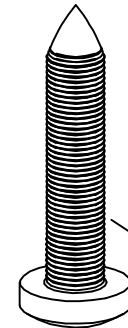
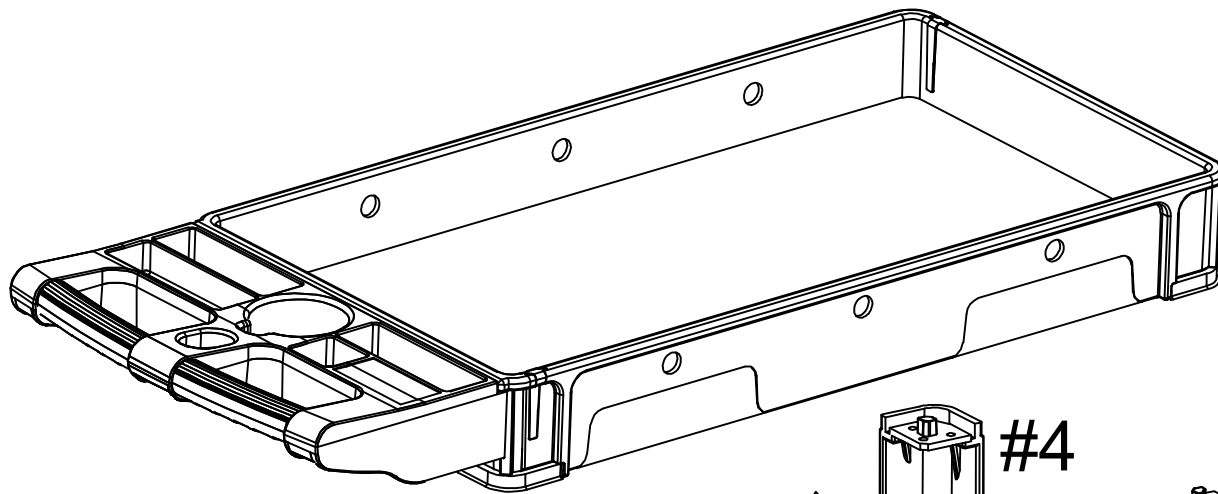
Turn upper platform upright (#2) and install handle (#1).

1

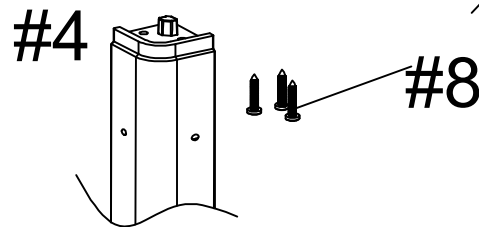
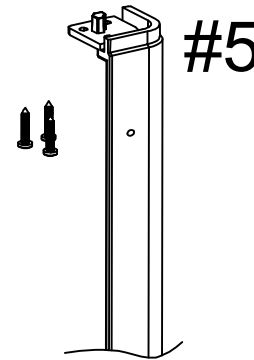
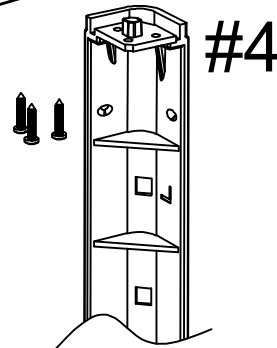
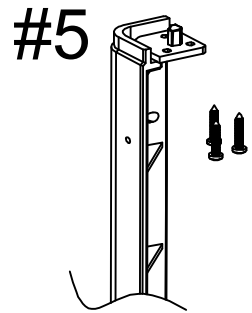
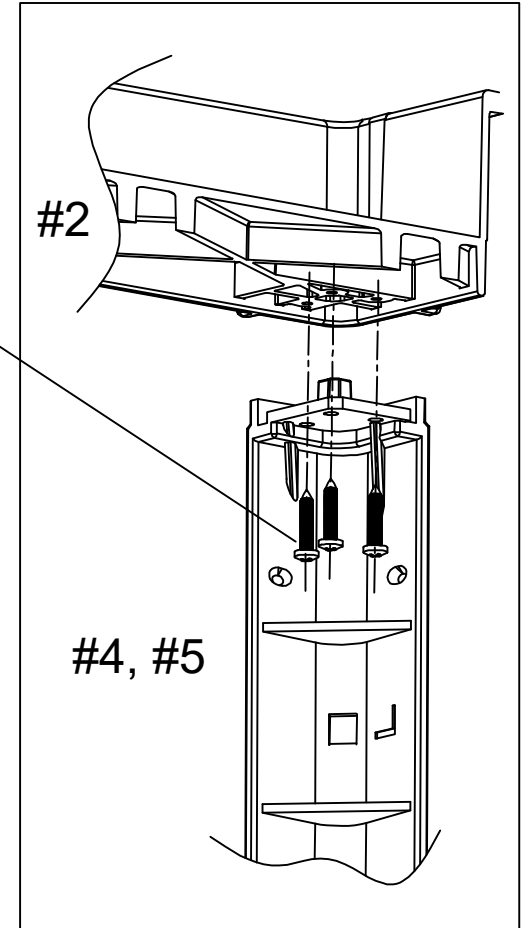


2

Turn upper platform assembly upside down. Install the columns (two left and two right, #4 and #5) by screwing the 4 bolts into each column onto the upper platform.

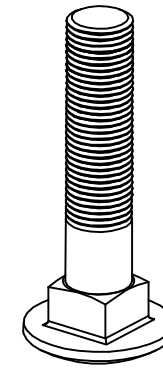
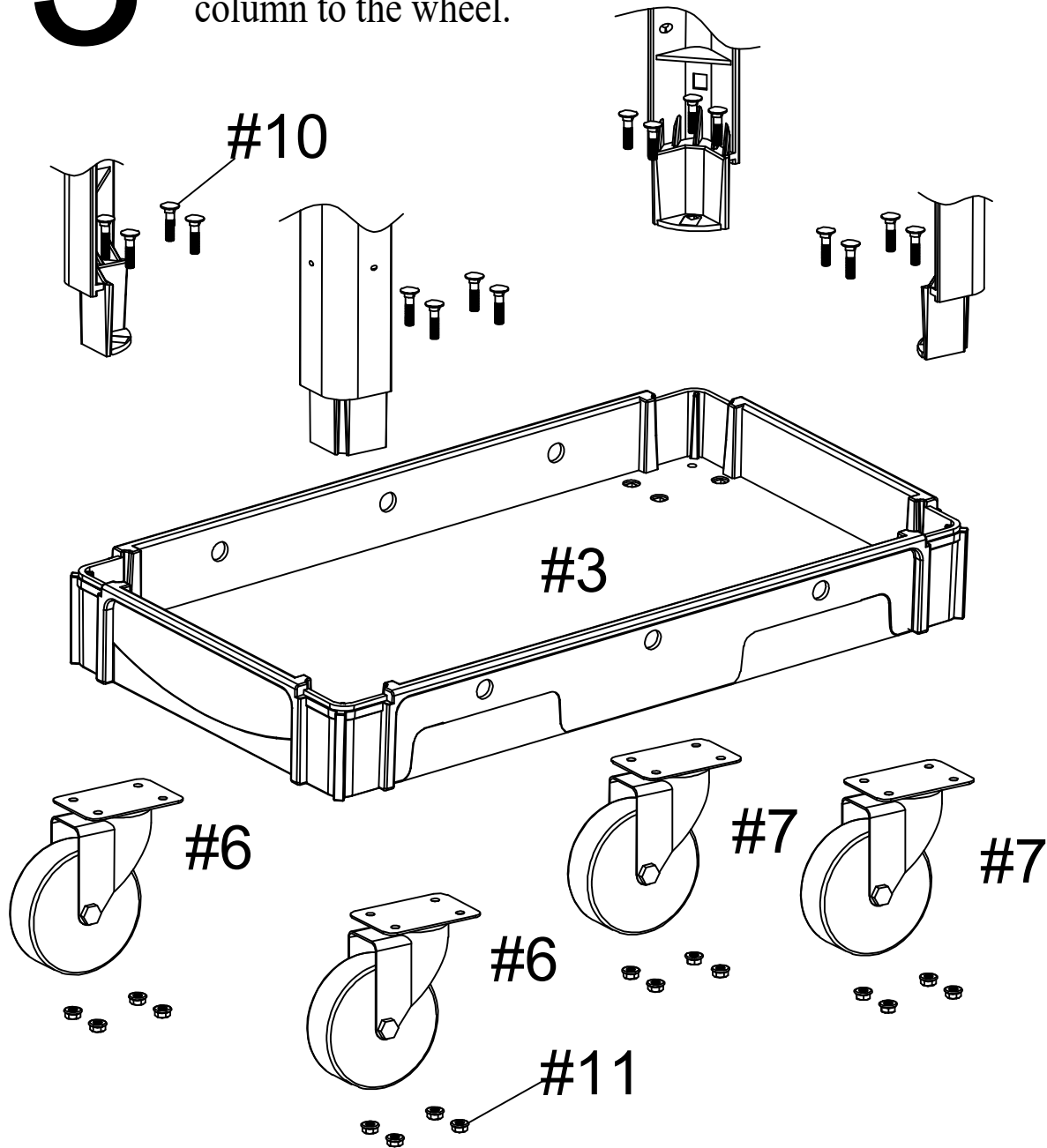


×12

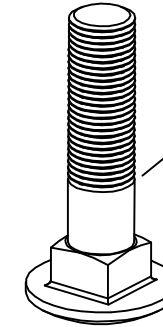


3

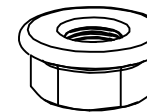
Install lower platform (#3) and 4 castors (#6, #7) by screwing the 4 bolts into the column, through the bottom platform and finally into the wheel. Only 1 screw is needed to attach the column to the wheel.



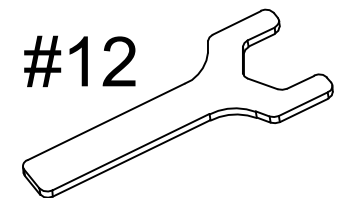
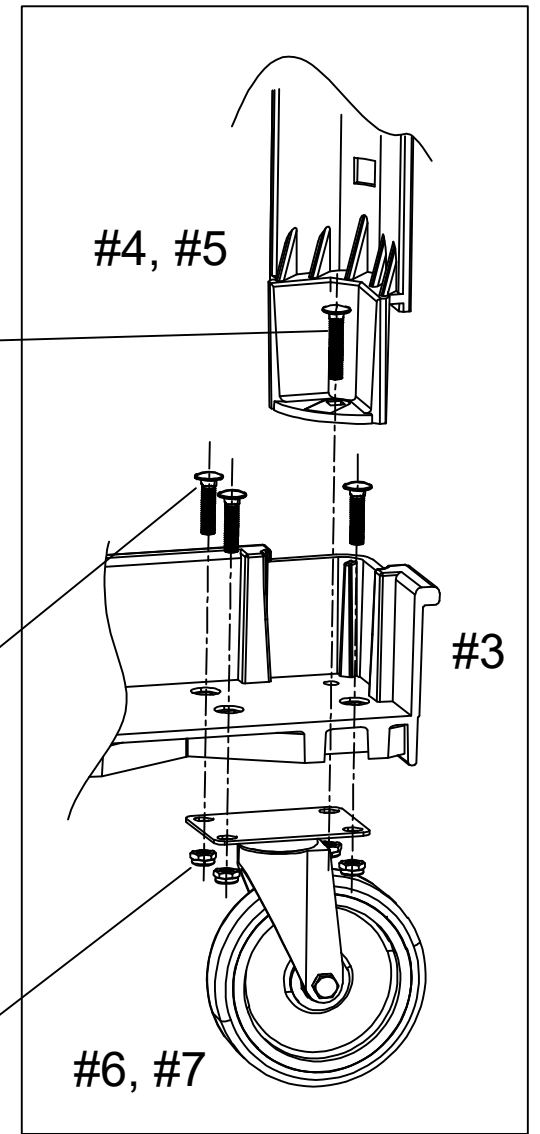
×4



×12



×16



4

Tighten all screws and hex nuts using the wrench (#12) and you are done.

