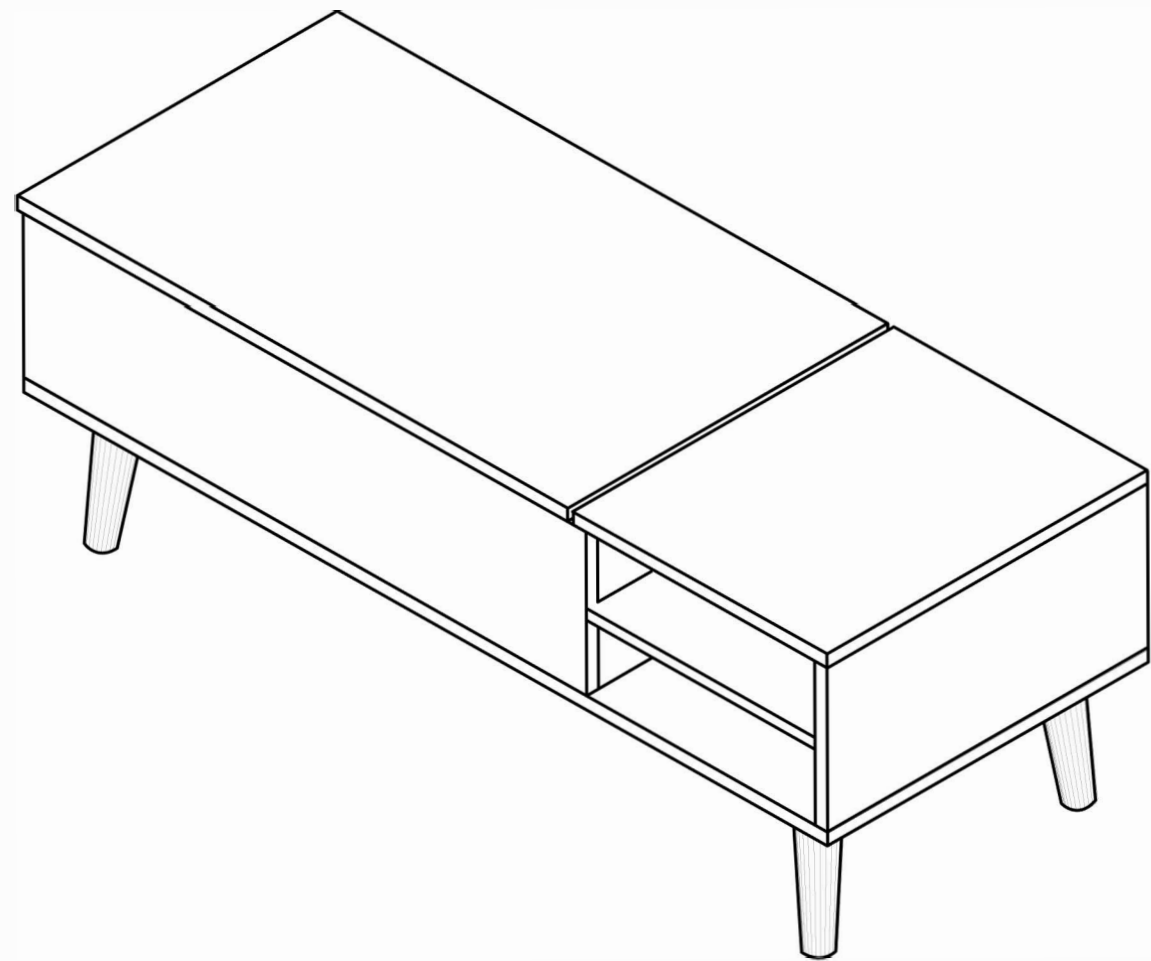
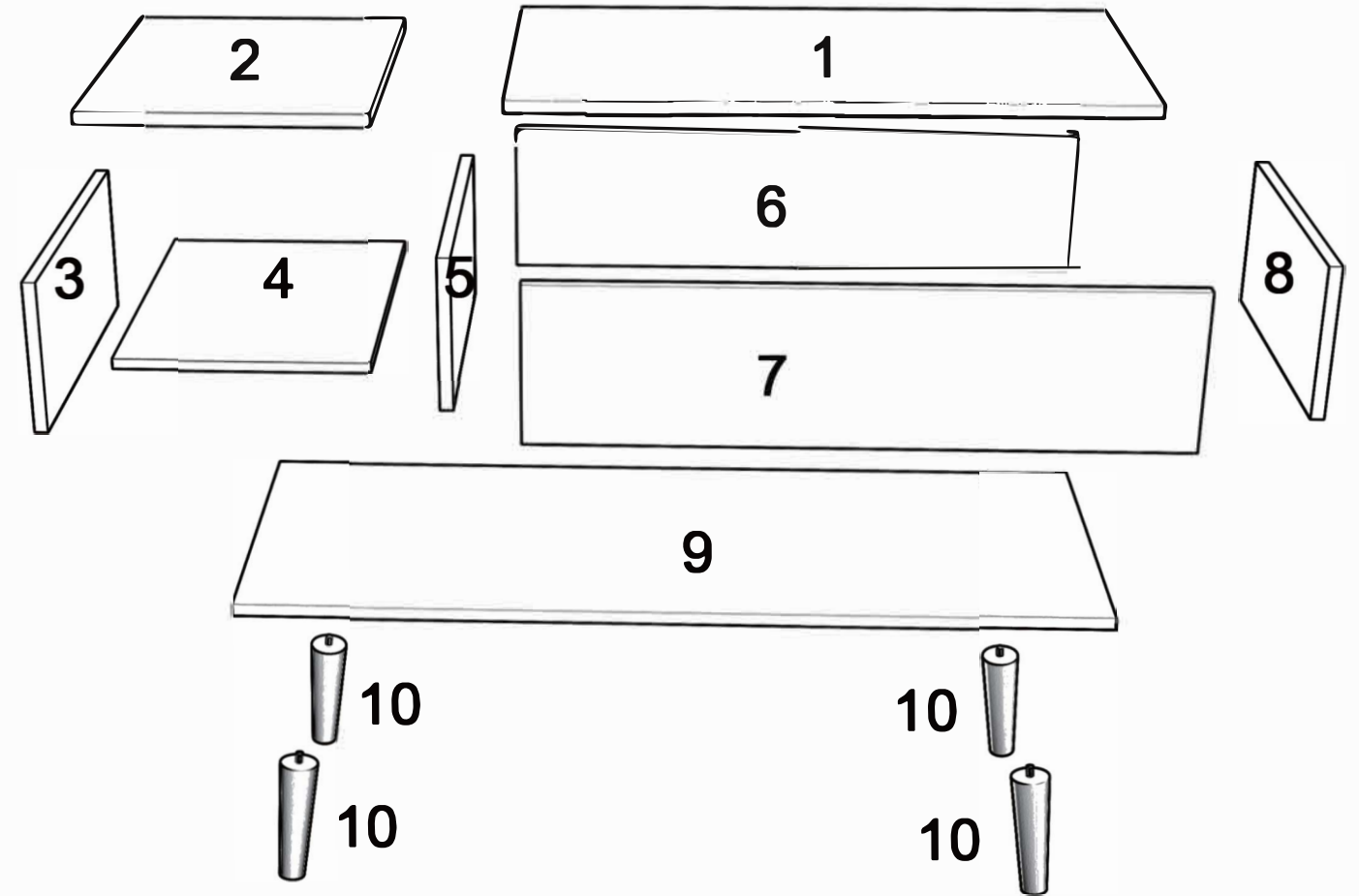






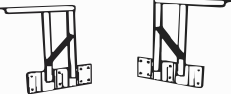




ASSEMBLY INSTRUCTIONS



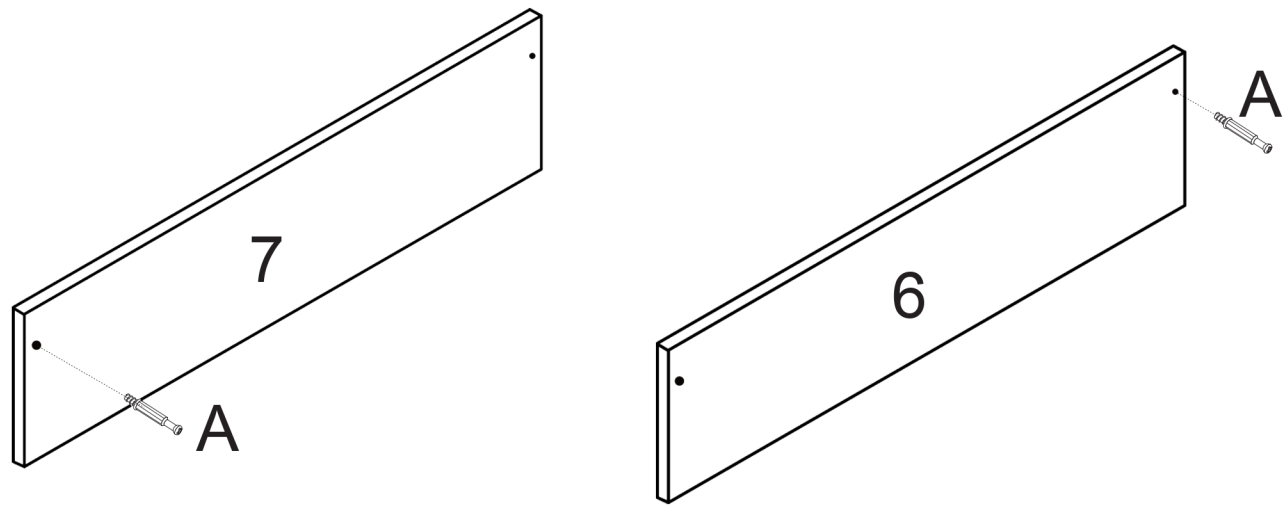
PART LIST



HARDWARE LIST

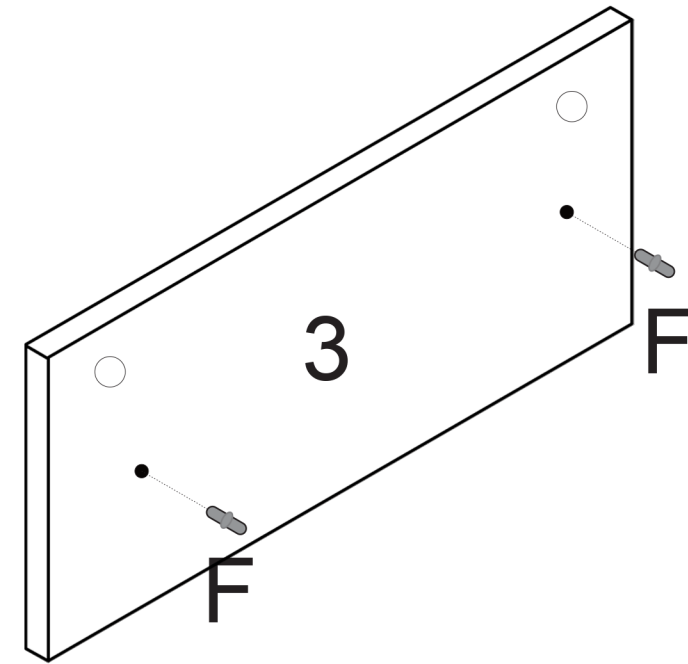
| | | | | | |
|---|---|-----|---|---|------|
| A |  | X 6 | B |  | X 6 |
| C |  | X 8 | D |  | X 24 |
| E |  | X 1 | F |  | X 4 |
| G |  | X 1 | H |  | X 1 |
| I |  | X 1 | | | |

STEP 1



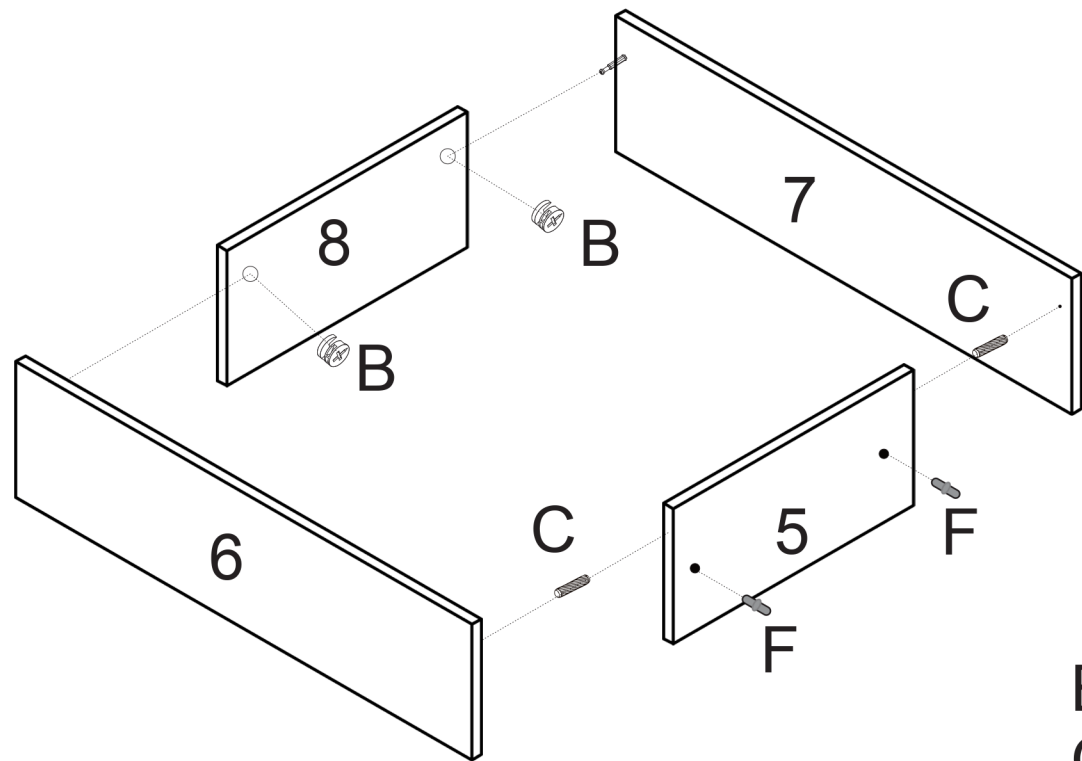
A X 2

STEP 3



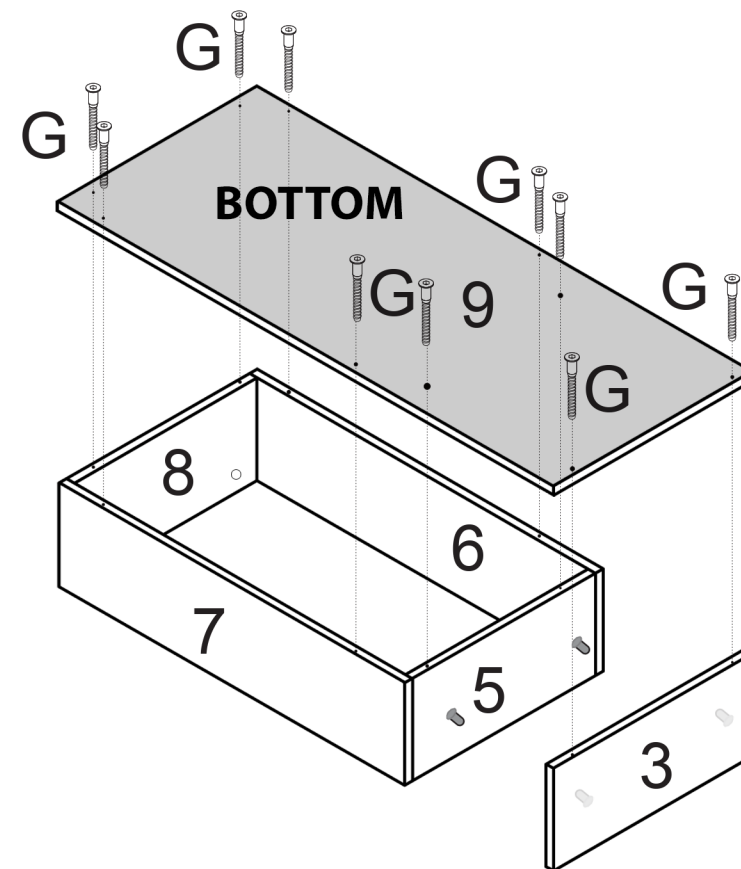
F X 2

STEP 2



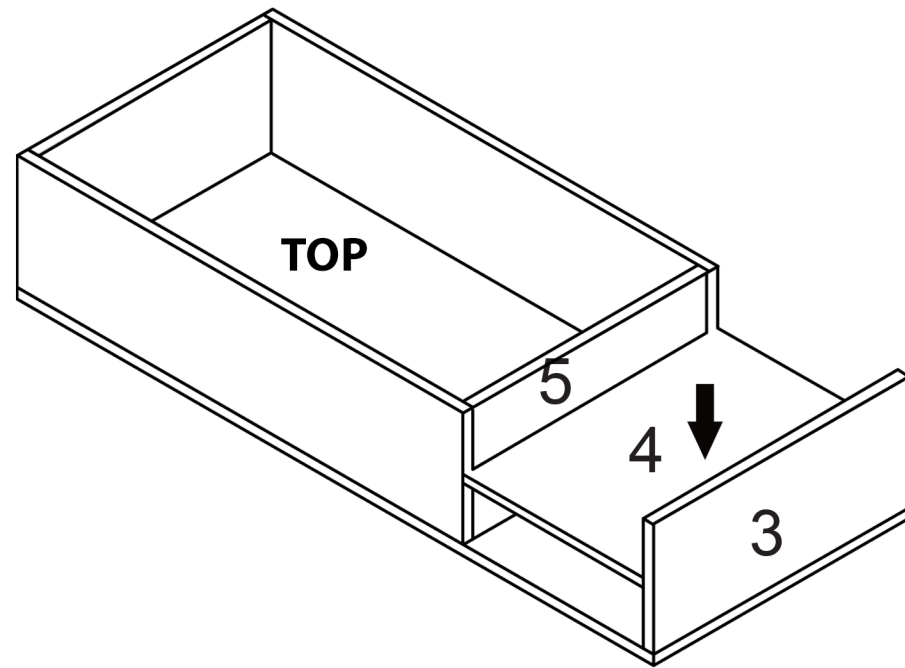
B X 2
C X 2
F X 2

STEP 4 FLIP OVER STEP 2

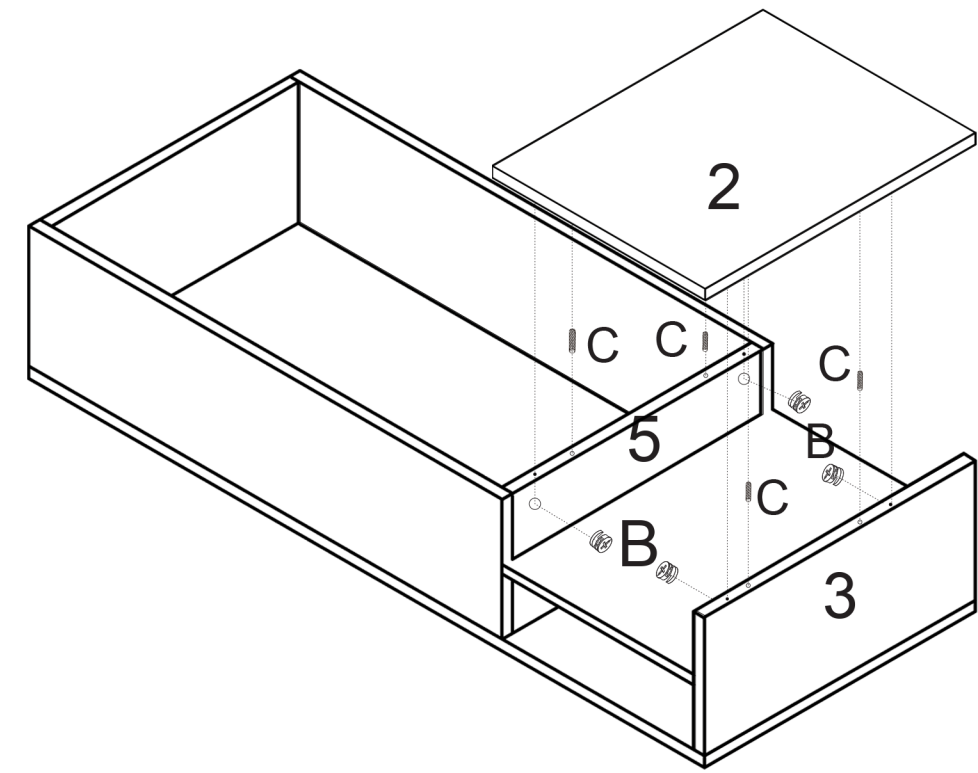


G X 10

STEP 5 ↻ FLIP OVER STEP 4

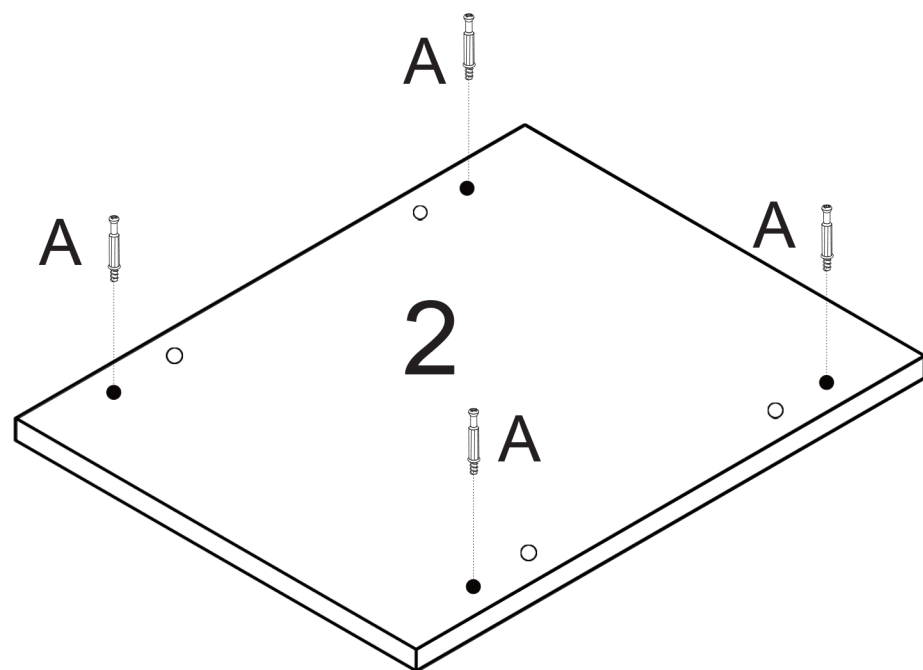


STEP 7



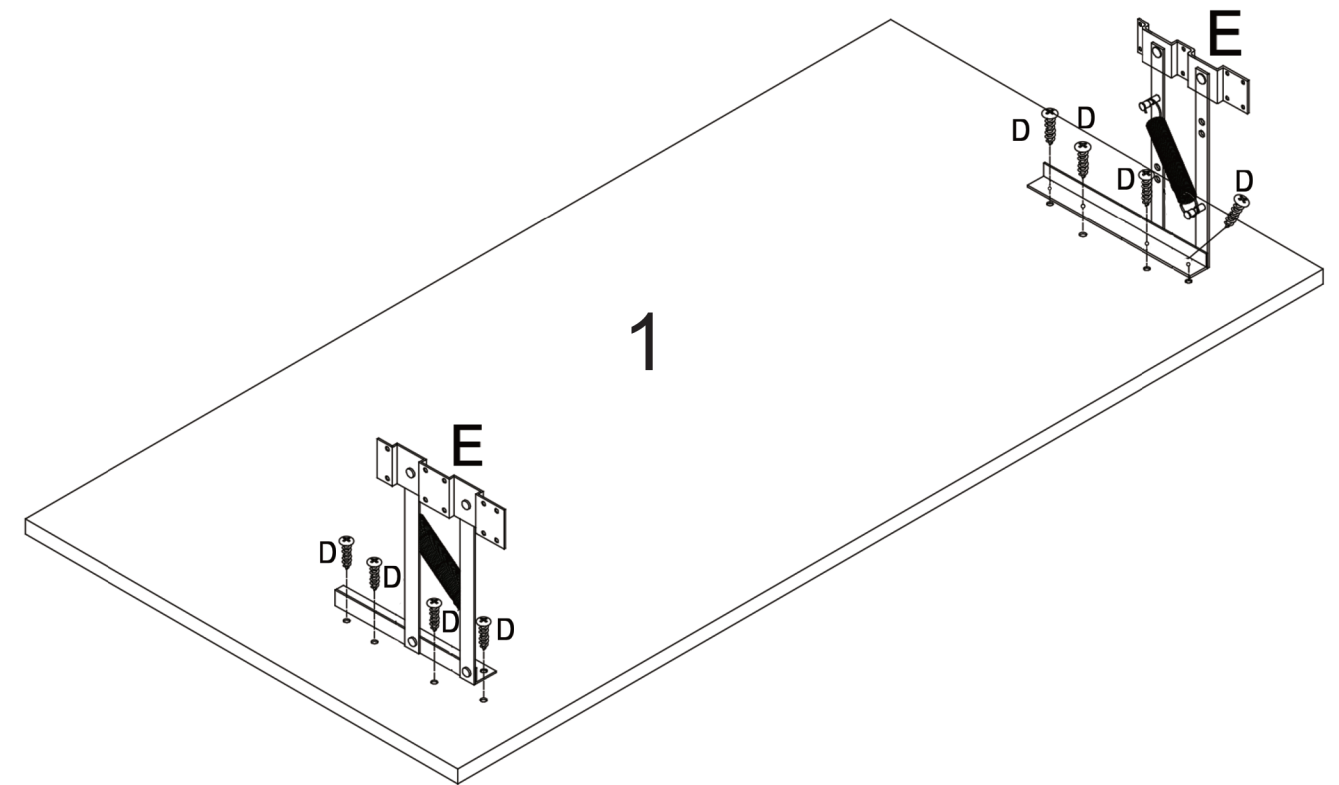
B X 4
C X 4

STEP 6

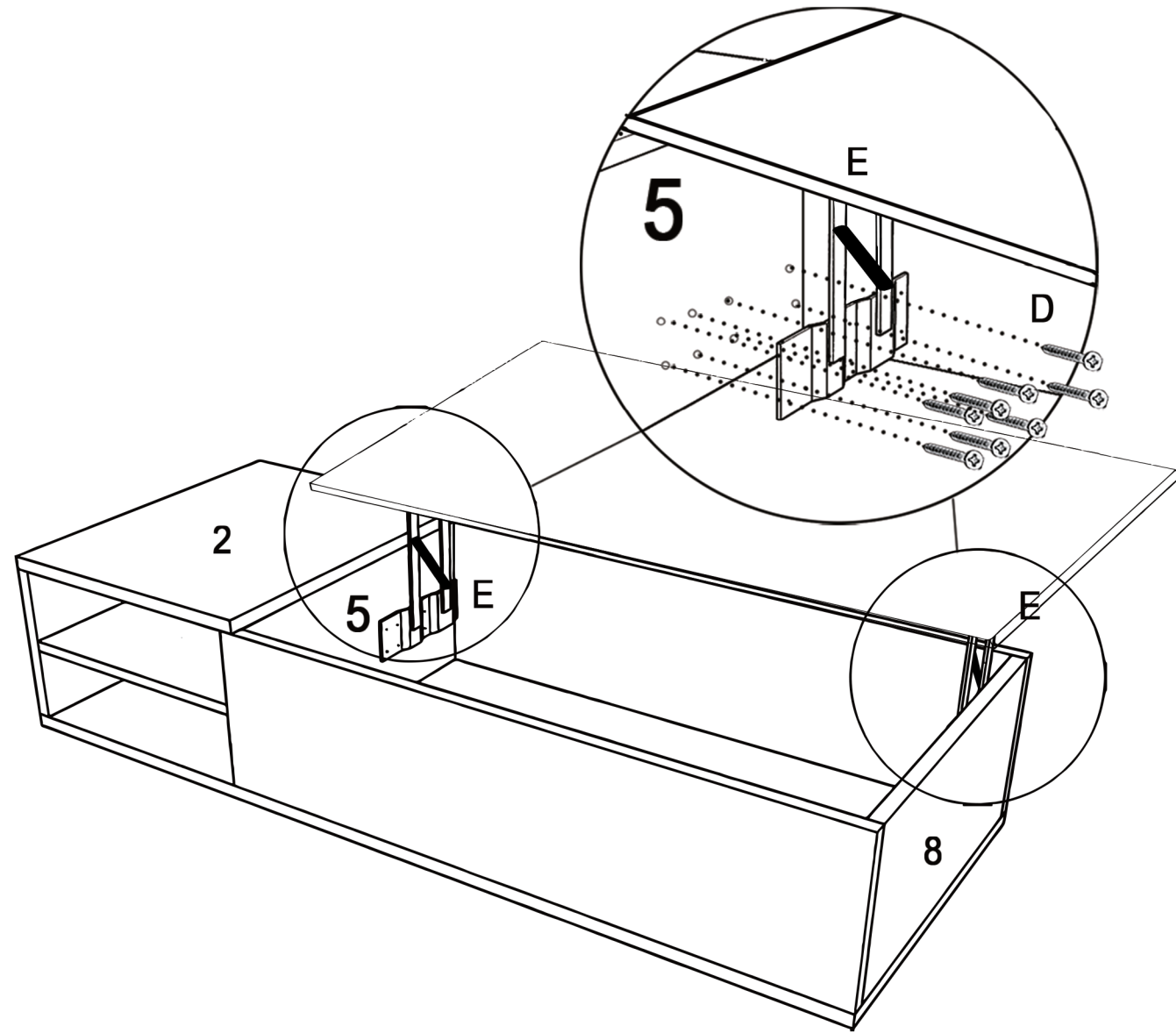


A X 2

STEP 8

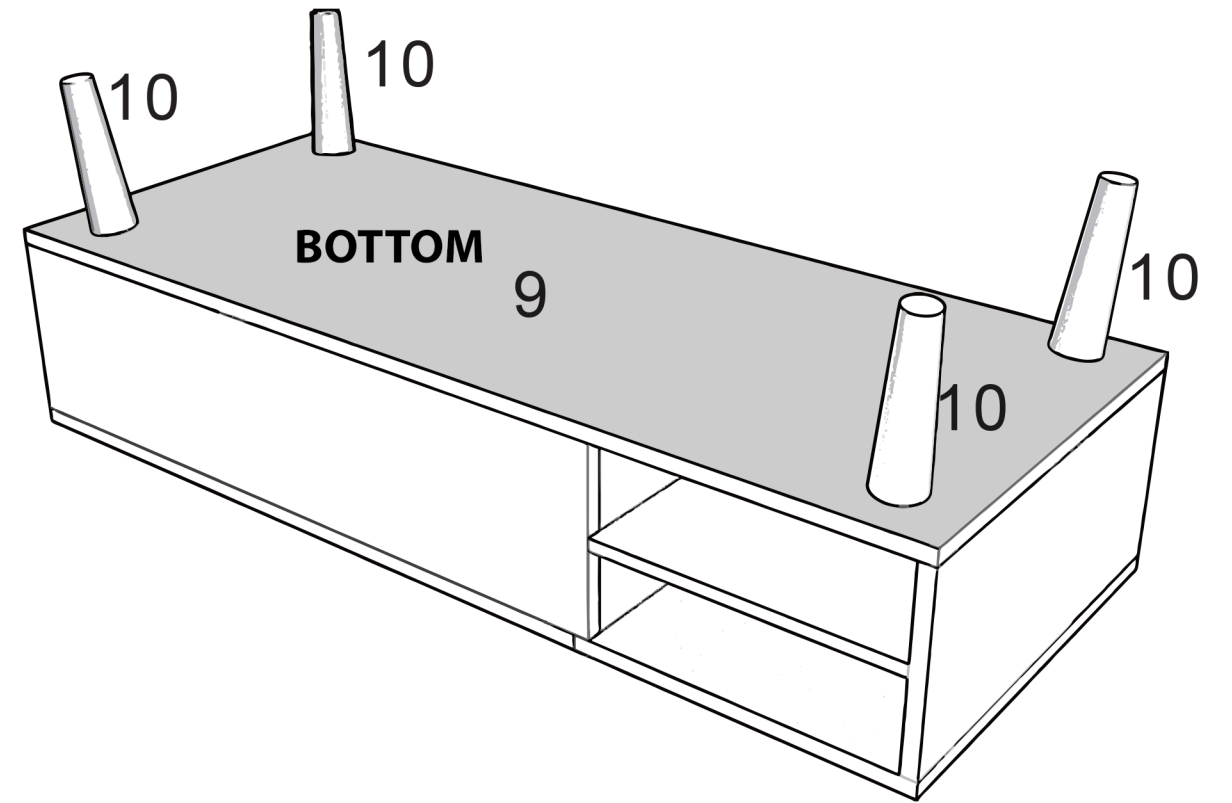


STEP 9



D X 16
E X 2

STEP 10 ↻ FLIP OVER STEP 9



STEP 11

