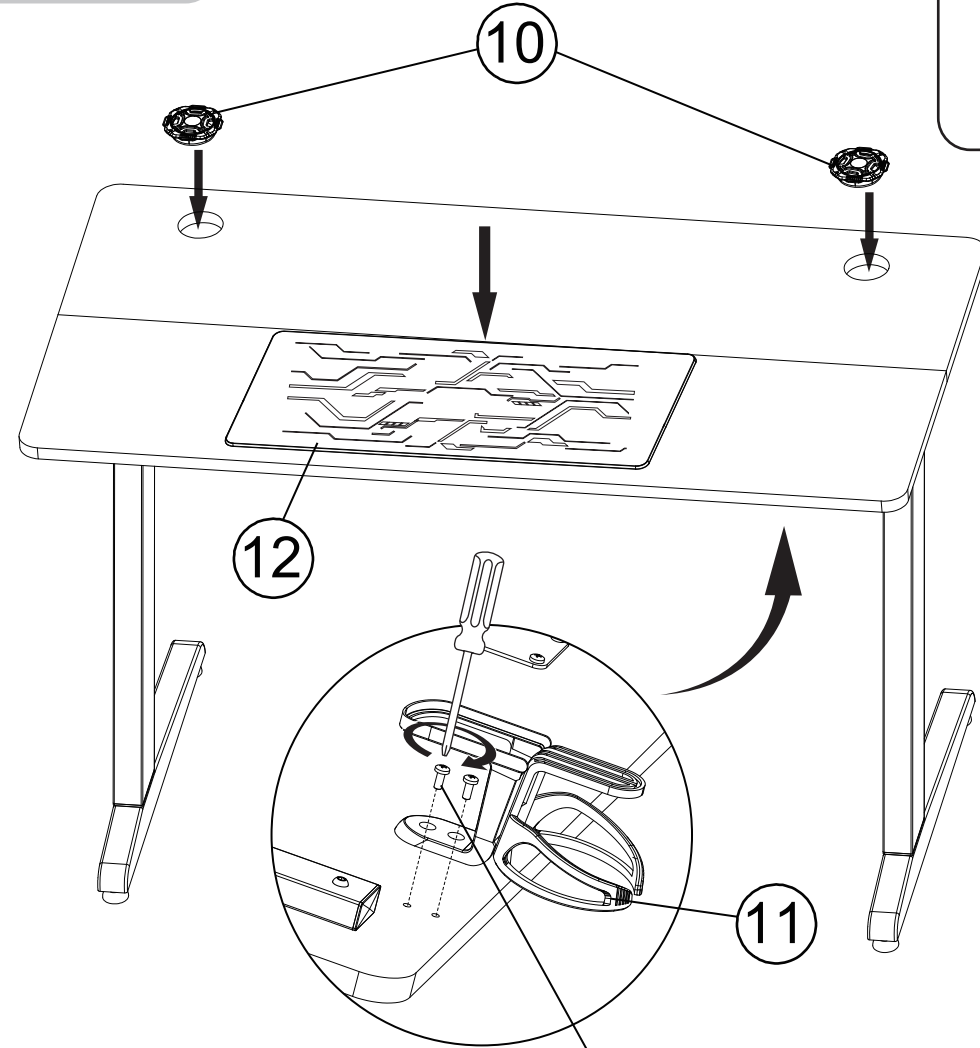


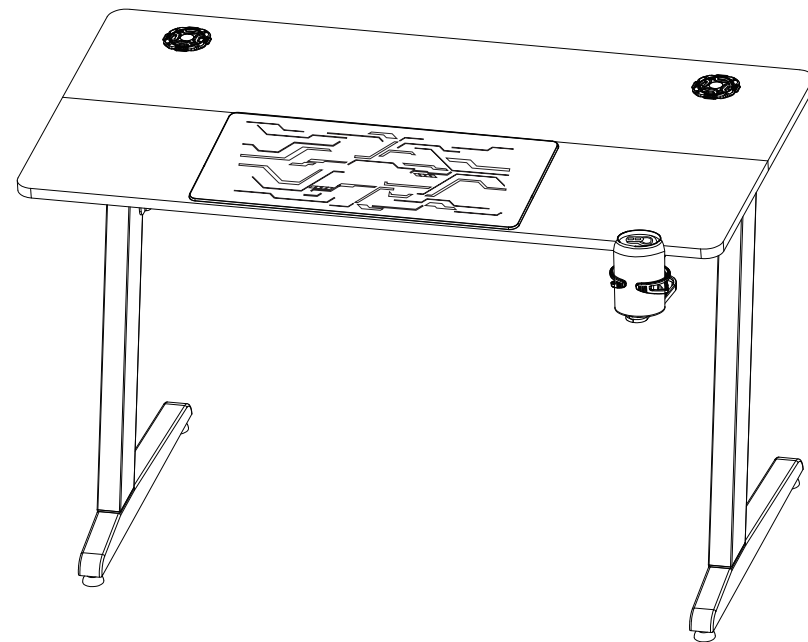
6

F  
x2



Desk ready for use

F x2



# Gaming Desk

## ASSEMBLY INSTRUCTIONS

kg  
LB ≤80kg  
(≤176.4lbs)



### CAUTION

DO NOT EXCEED MAXIMUM LISTED WEIGHT CAPACITY.  
SERIOUS INJURY OR PROPERTY DAMAGE MAY OCCUR.

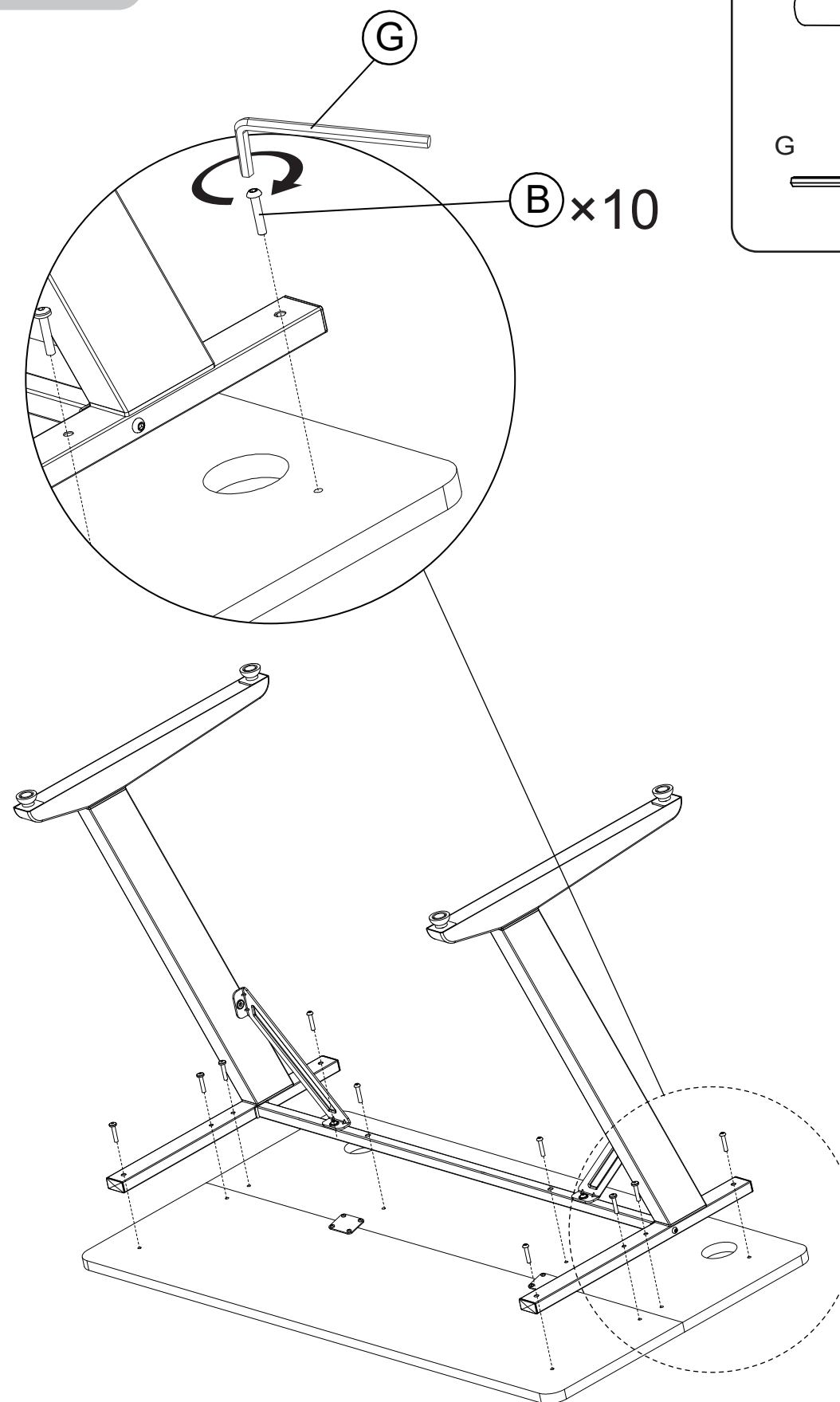
# PARTS LIST



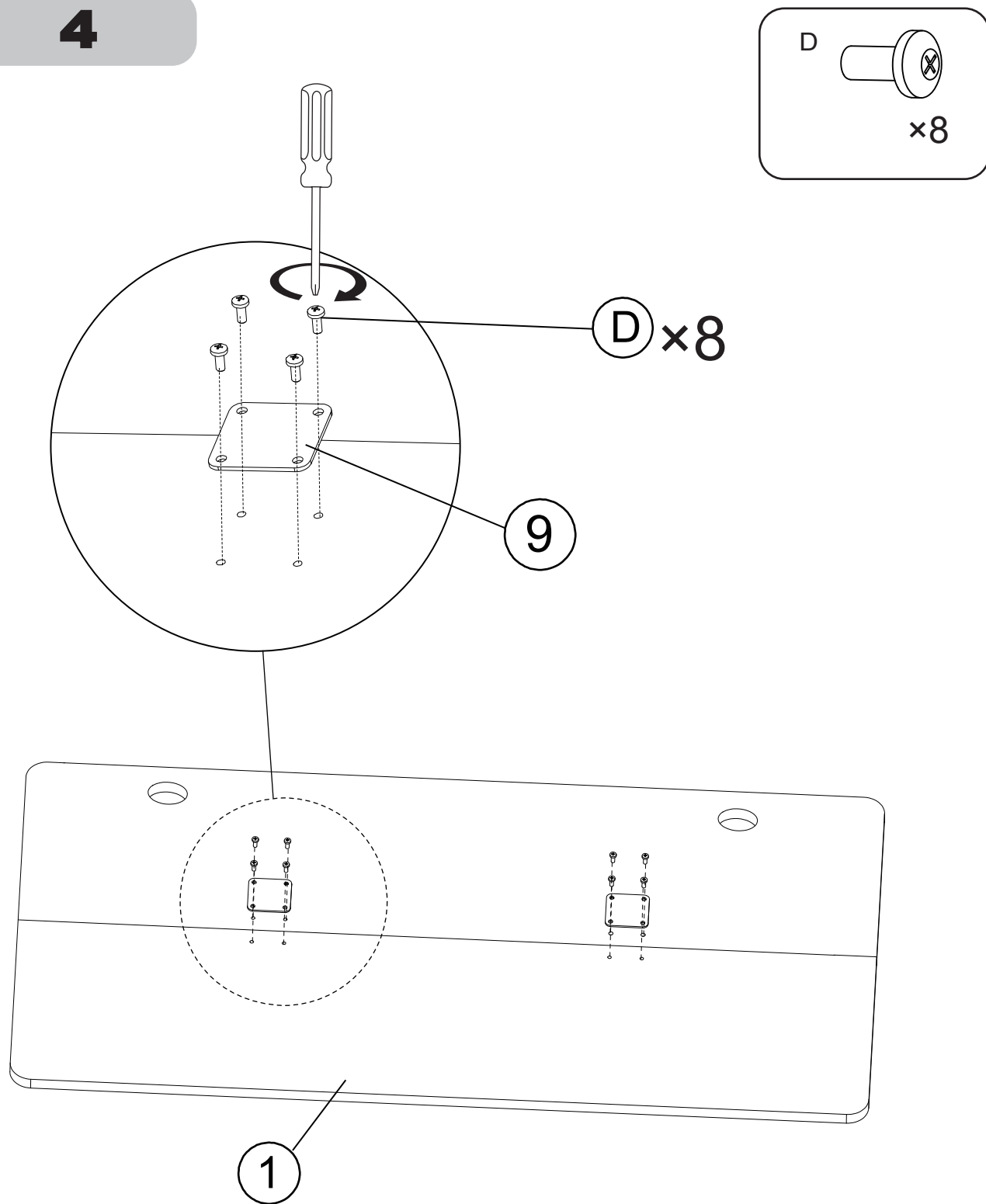
① Tabletop (x1)	② Left leg (x1)	③ Right leg (x1)	④ Crossbar (x1)
⑤ Upper support (x2)	⑥ Footing (x2)	⑦ Bracing (x2)	⑧ Feets (x4)
⑨ Tabletop connector(x2)	⑩ Hole cover (x2)	⑪ Cup holder(x1)	⑫ Mouse pad (x1)

<b>A</b> M6×12mm (x4)	<b>B</b> M6×30mm (x10)	<b>C</b> M6×45mm (x2)	
<b>D</b> M5×14mm (x8)	<b>E</b> M6×8mm (x12)	<b>F</b> M5×12mm (x2)	<b>G</b> S=4mm (x1)

**5**

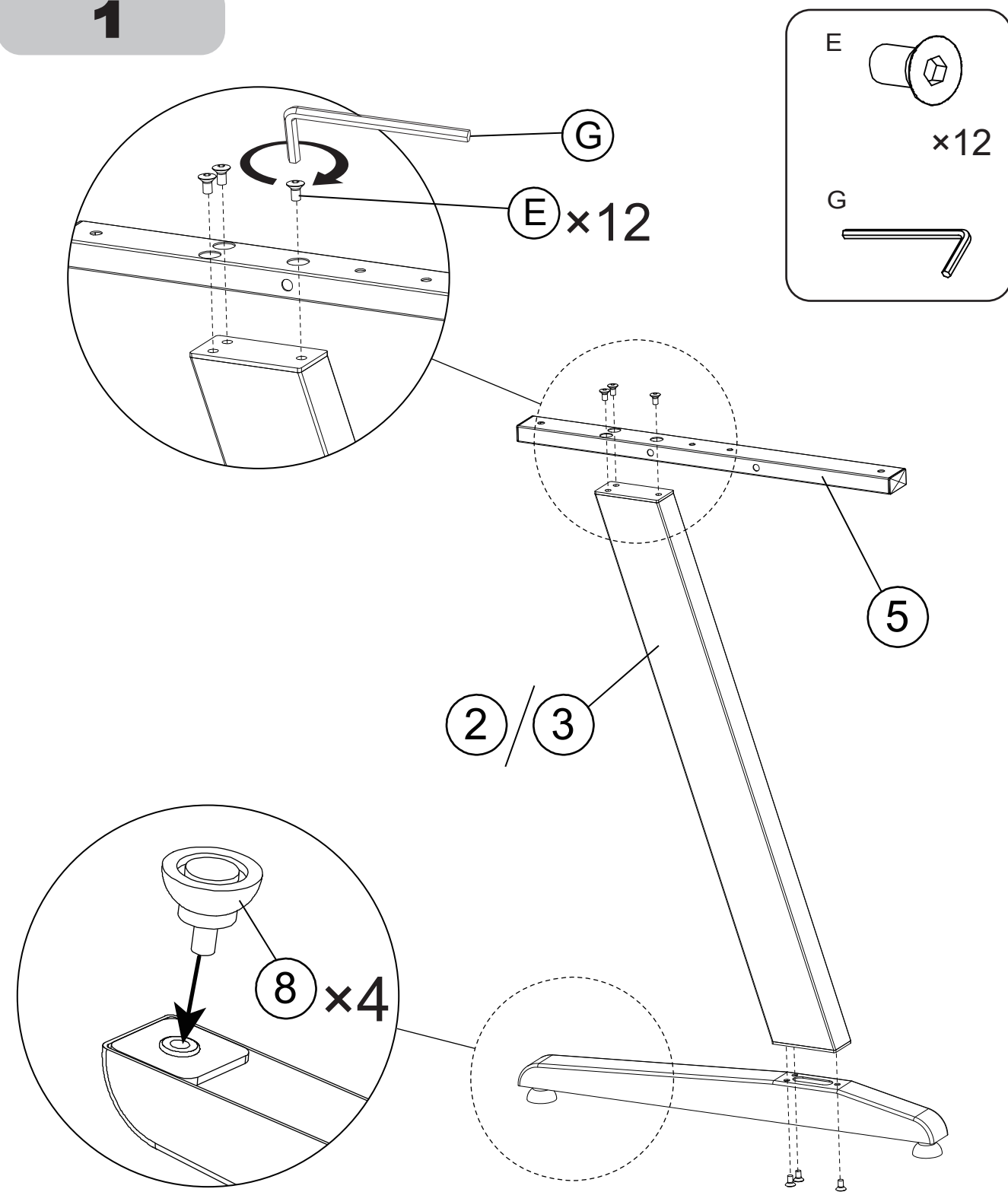


4

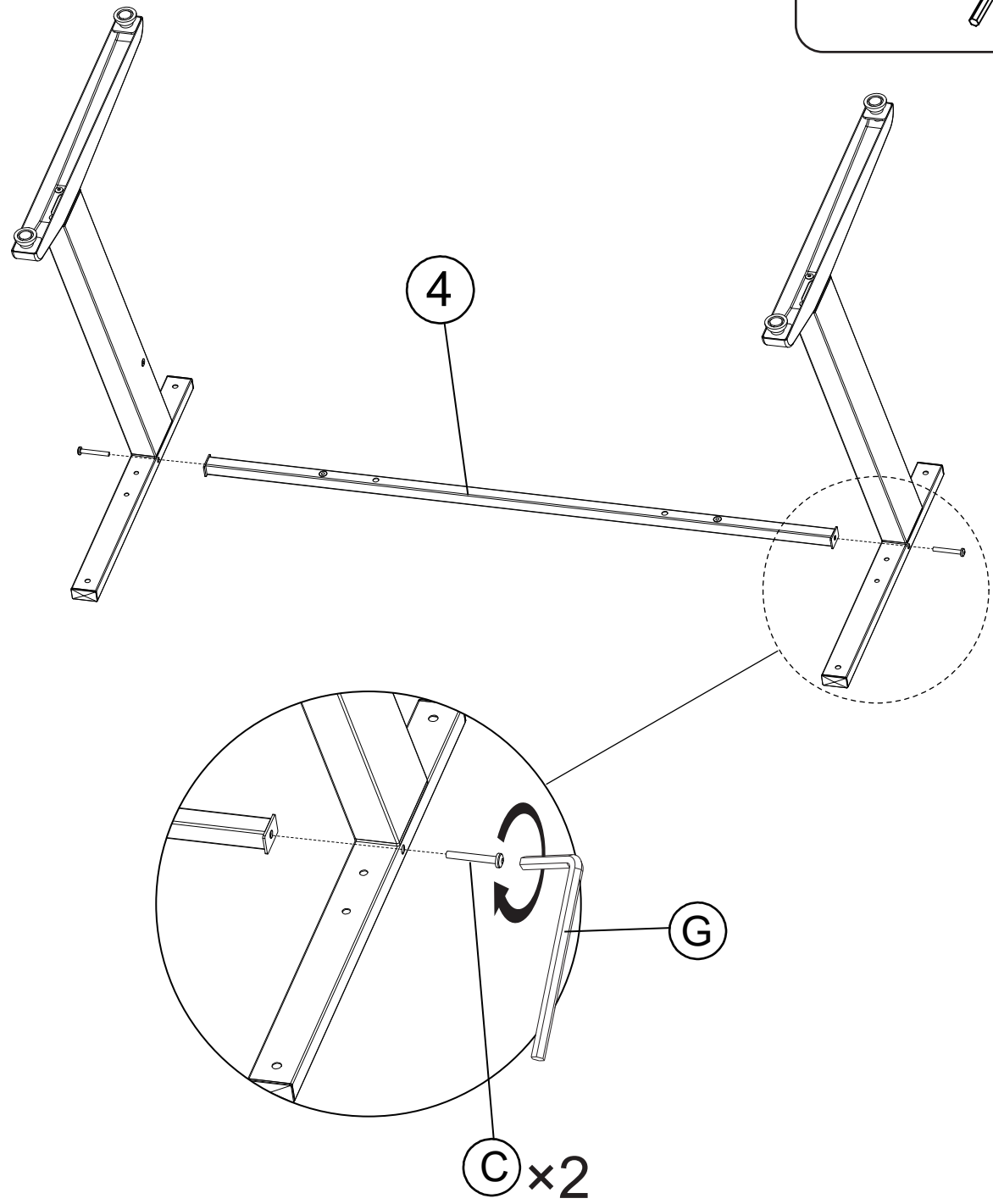
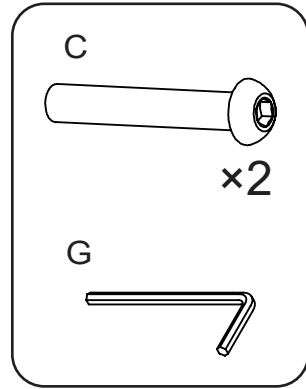


# INSTALLATION STEPS

1



**2**



**3**

