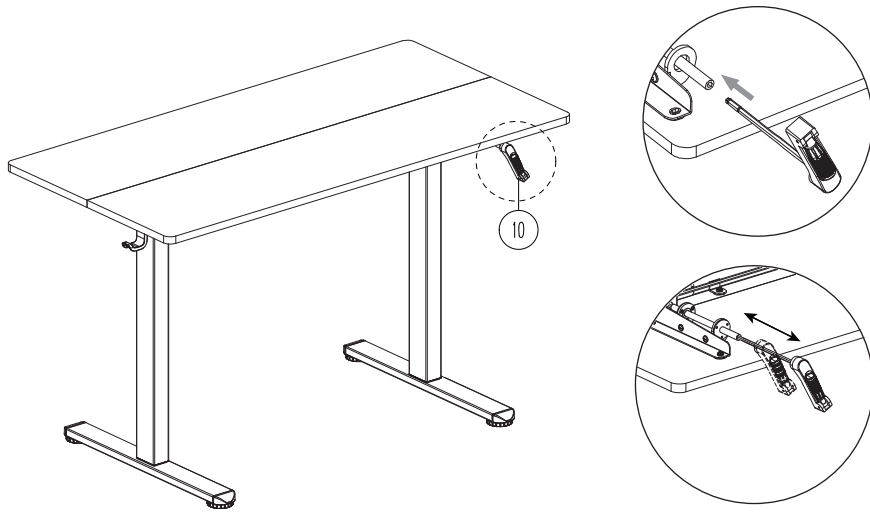
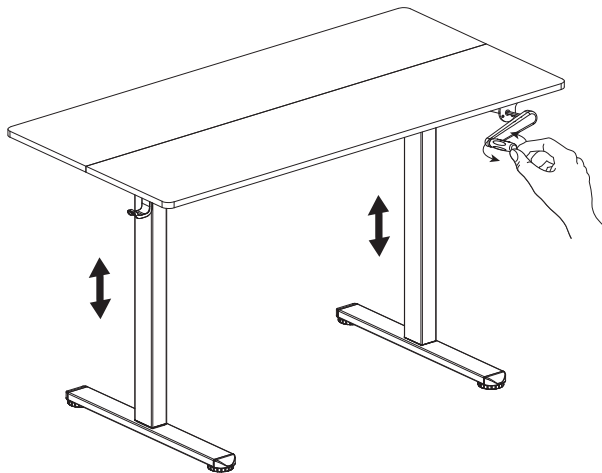


Step 7

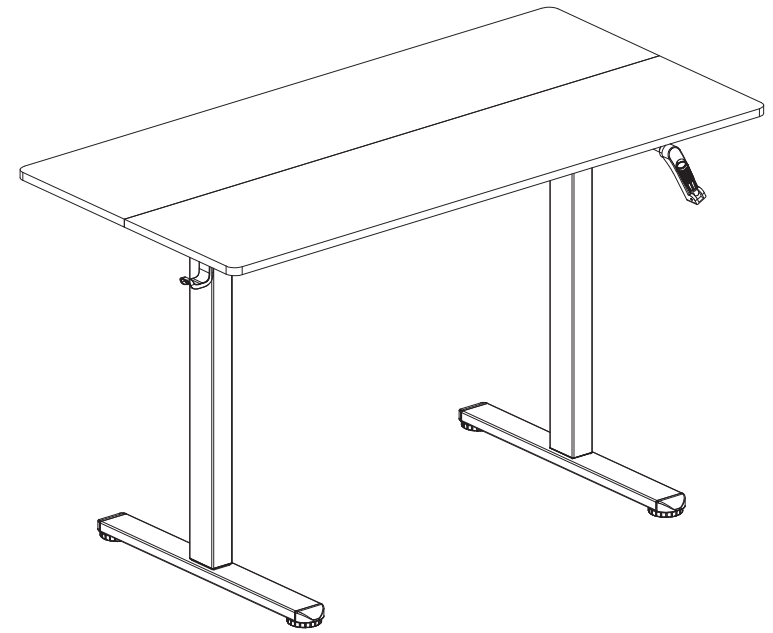


Step 8



USER MANUAL

Manual Standing desk



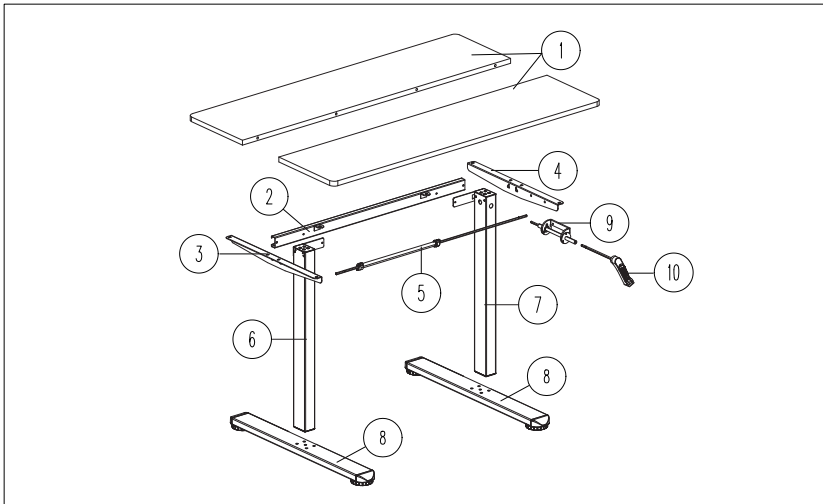
- Desktop Dimensions: 44in (112cm)
- Height adjustable Range: 28.3-46.8in(72-119cm)



Load Capability
110 lbs / 50 kg

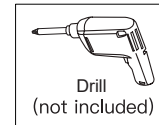
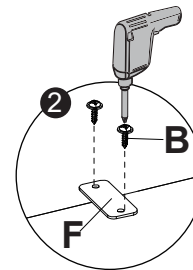
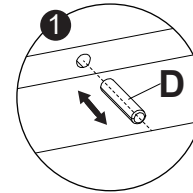
CAUTION: DO NOT EXCEED
MAXIMUM LISTED WEIGHT
CAPACITY. SERIOUS INJURY
OR PROPERTY DAMAGE MAY
OCCUR!

COMPONENT LIST

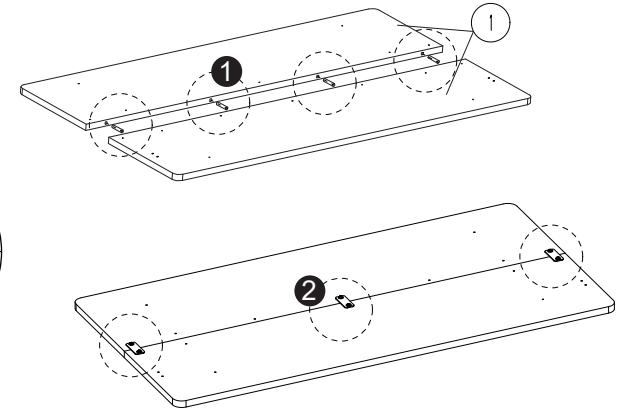


<p>1</p> <p>Desktop (x1)</p>	<p>2</p> <p>Crossbar (x1)</p>	<p>3</p> <p>Left Side Plate (x1)</p>
<p>4</p> <p>Right Side Plate (x1)</p>	<p>5</p> <p>Transmission rod (x1)</p>	<p>6</p> <p>Left Table Leg (x1)</p>
<p>7</p> <p>Right Table Leg (x1)</p>	<p>8</p> <p>Leg Base (x2)</p>	<p>9</p> <p>Handle Part1 (x1)</p>
<p>10</p> <p>Handle Part2 (x1)</p>		

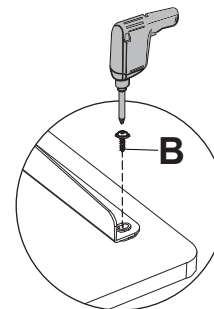
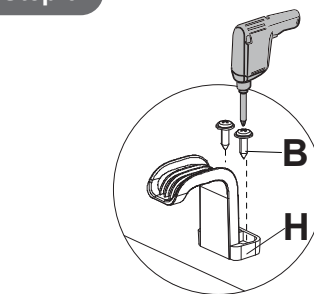
Step 5



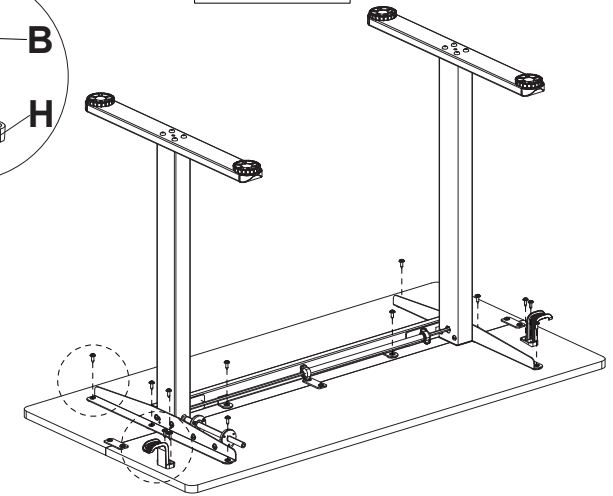
B	M5×16mm(x6)
D	Wood Tip (x4)
F	Tabletop Connector (x3)



Step 6

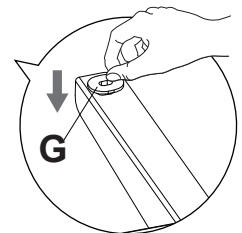
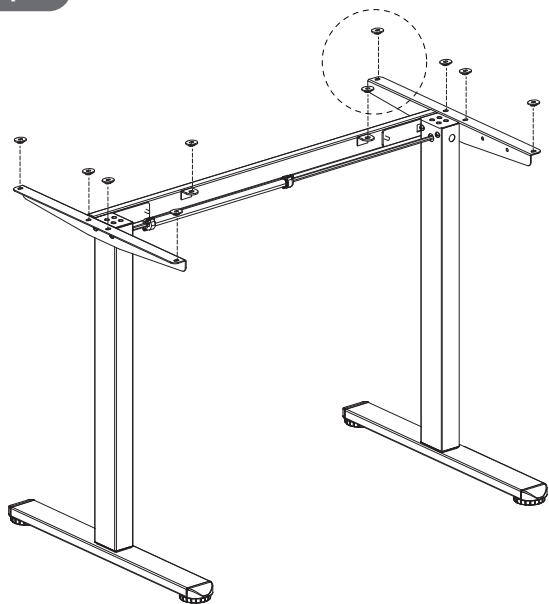


B	M5×16mm(x14)
H	Headphone Hanger(x2)



Step 3

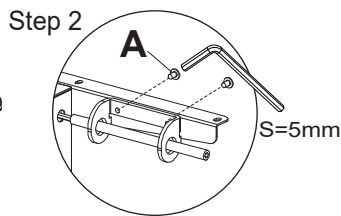
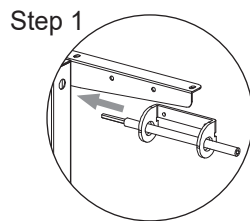
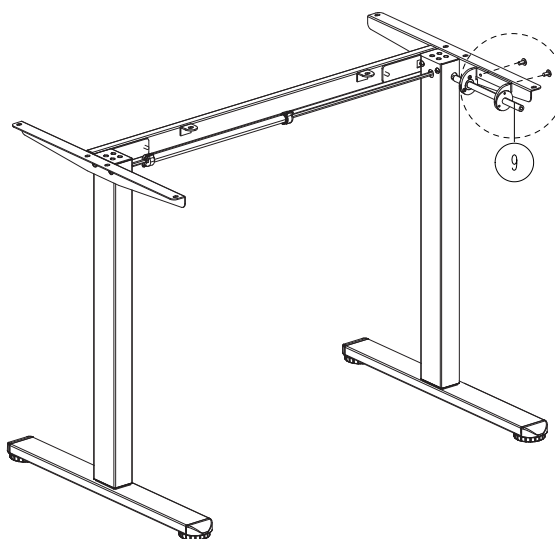
G Rubber Pad (x10)




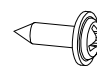
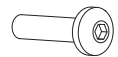
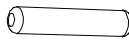
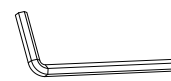
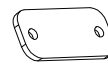

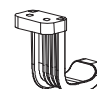
Install the Rubber Pads

Step 4

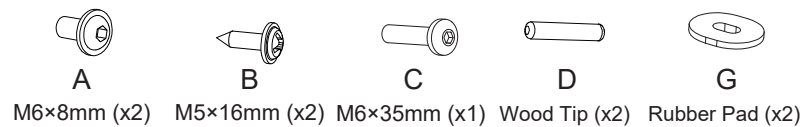
A M6×8mm(x2)
E S=5mm



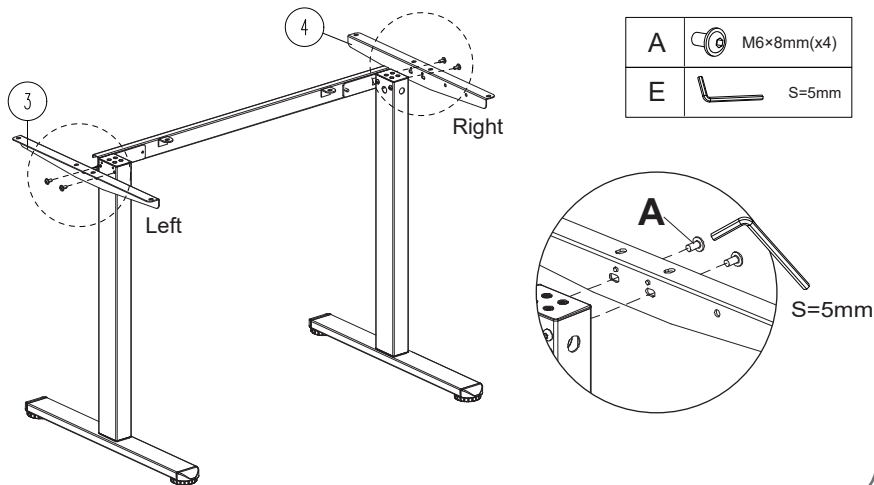
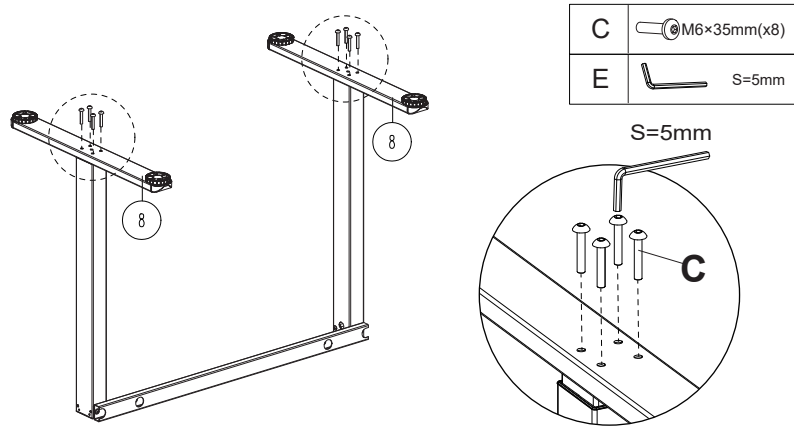
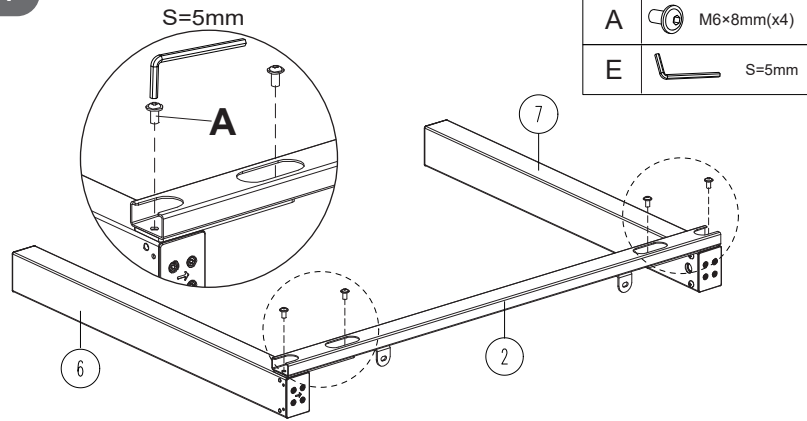
HARDWARE LIST

<p>A</p>  <p>Screws M6×8mm (x10)</p>	<p>B</p>  <p>Screws M5×16mm (x20)</p>	<p>C</p>  <p>Screws M6×35mm (x8)</p>
<p>D</p>  <p>Wood Tip (x4)</p>	<p>E</p>  <p>Allen Key S=5mm (x1)</p>	<p>F</p>  <p>Tabletop Connector (x3)</p>
<p>G</p>  <p>Rubber Pad (x10)</p>	<p>H</p>  <p>Headphone Hanger (x2)</p>	

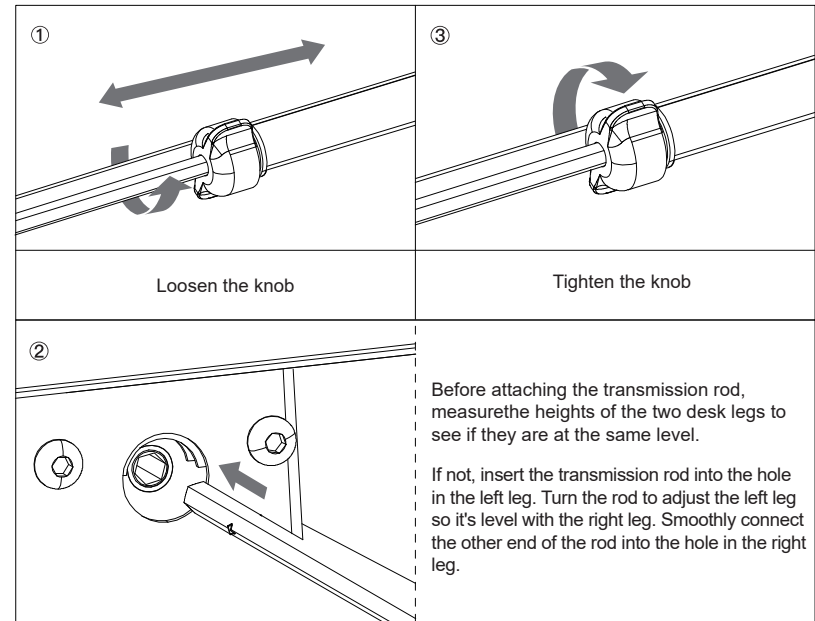
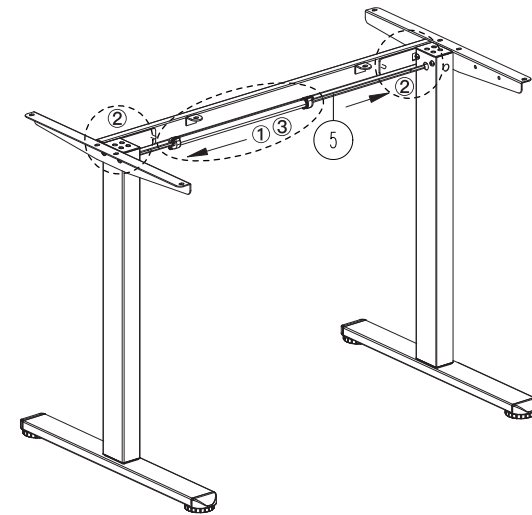
Spare Parts



Step 1



Step 2



Please note that if you find the table adjusting only on 1 side, it is very likely the transmission rod is not fully inserted into the hex hole. Please revisit step 2 and insert the rod securely.