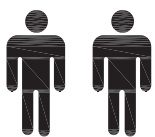
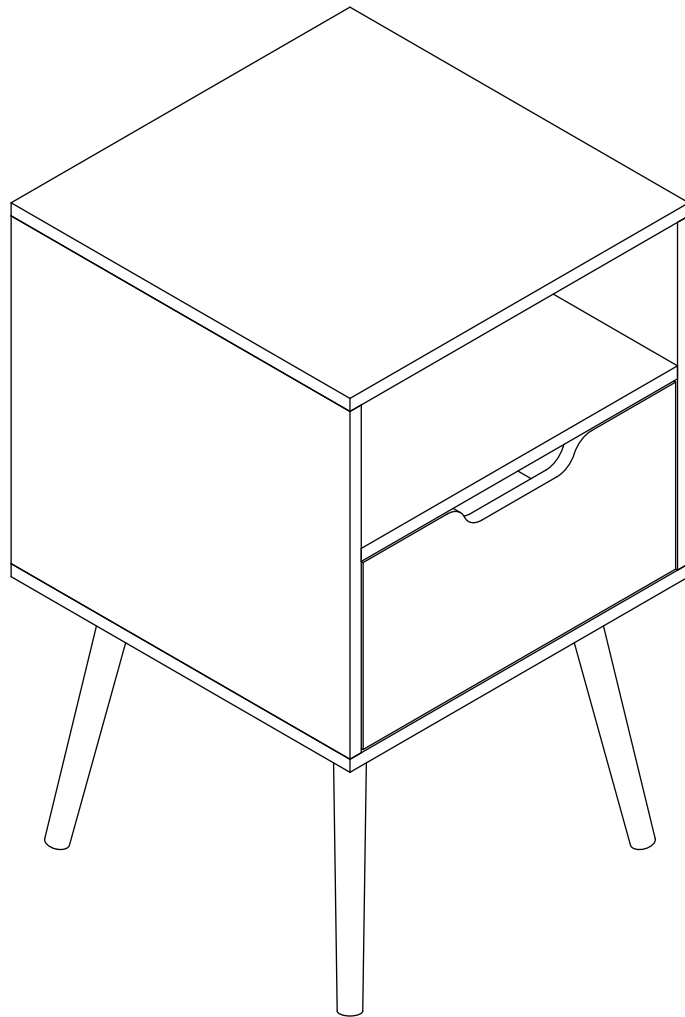


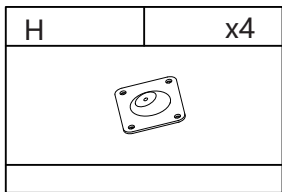
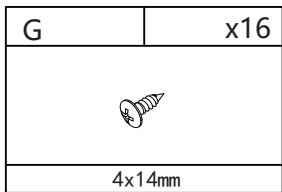
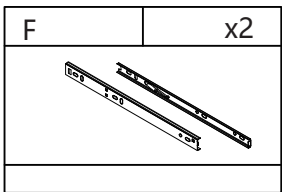
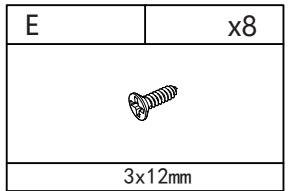
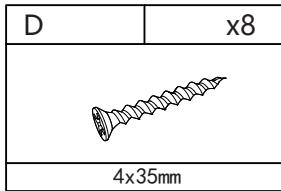
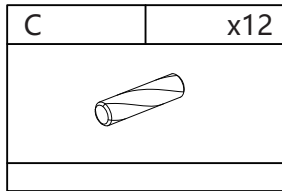
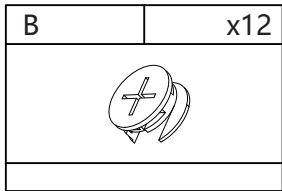
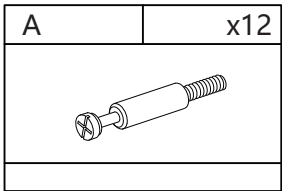
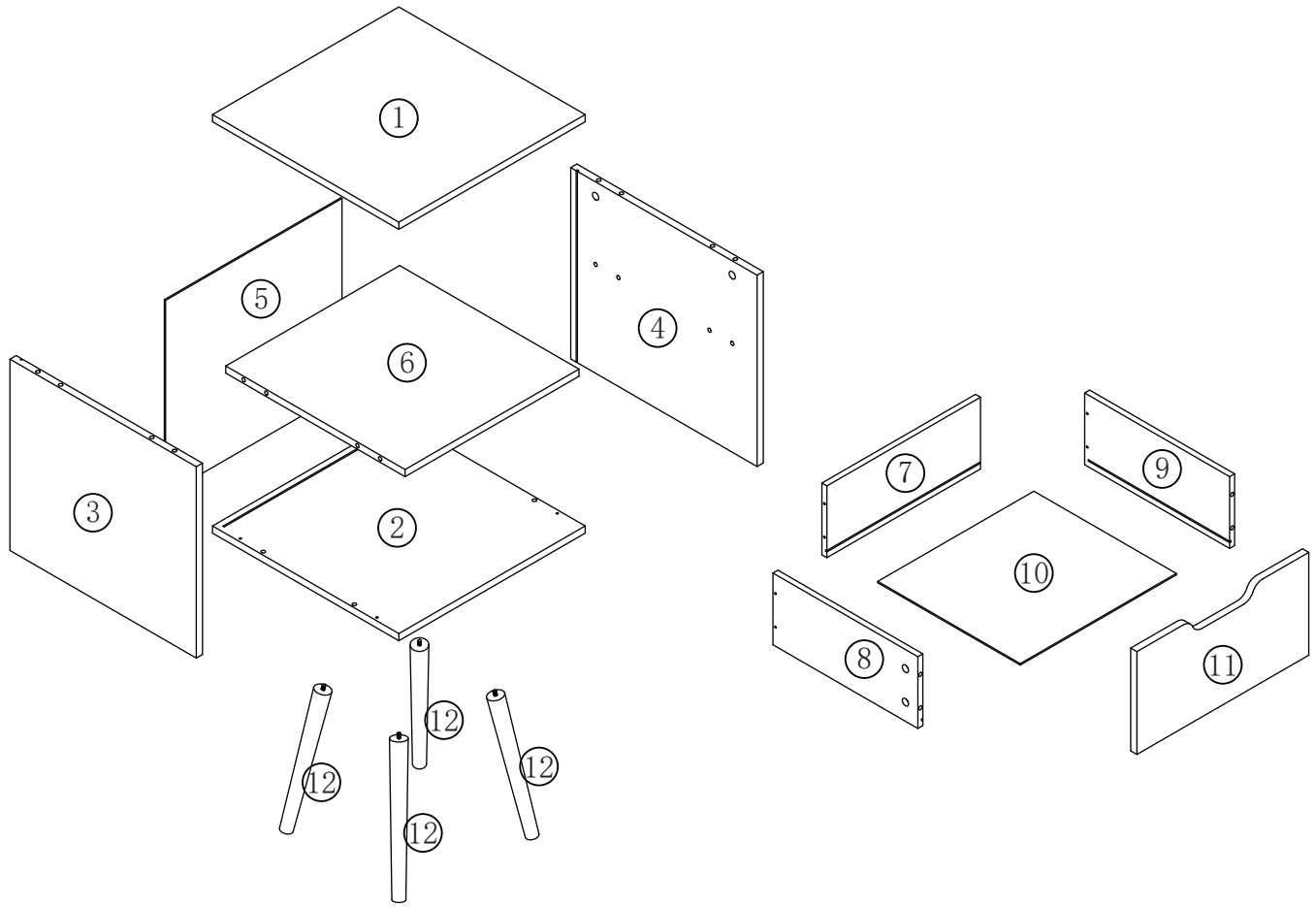
ASSEMBLY INSTRUCTIONS

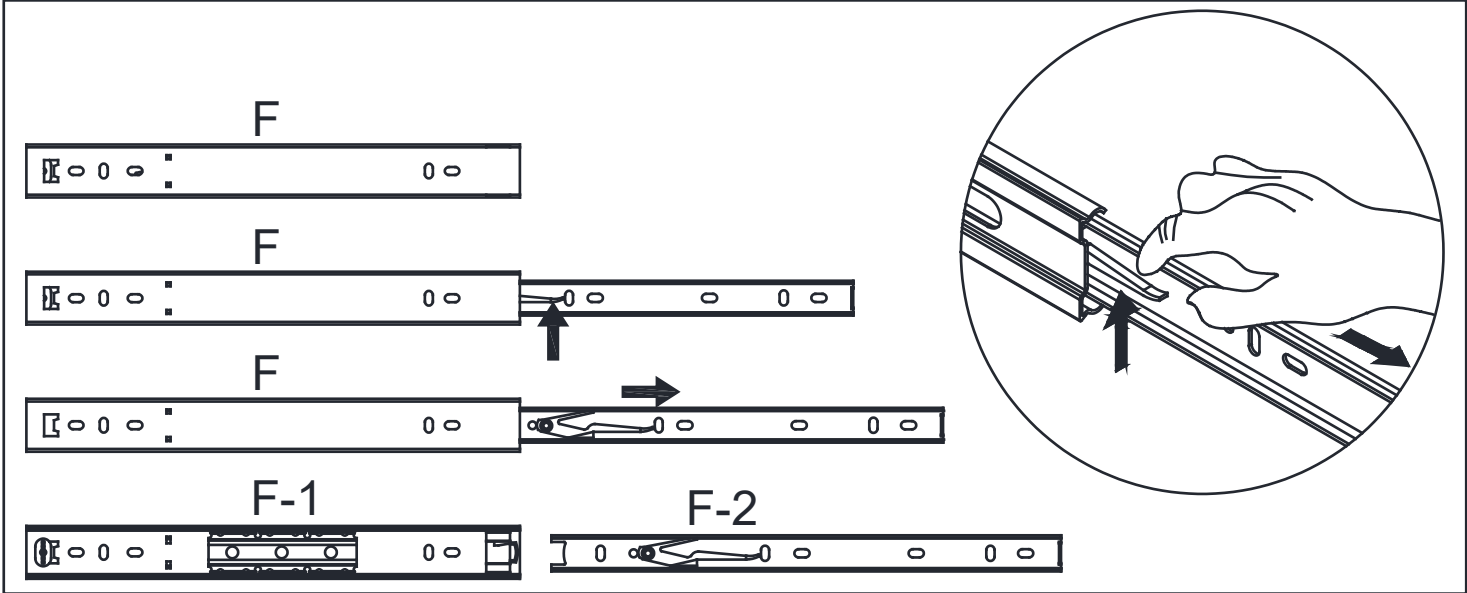



2 PERS.

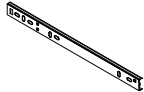


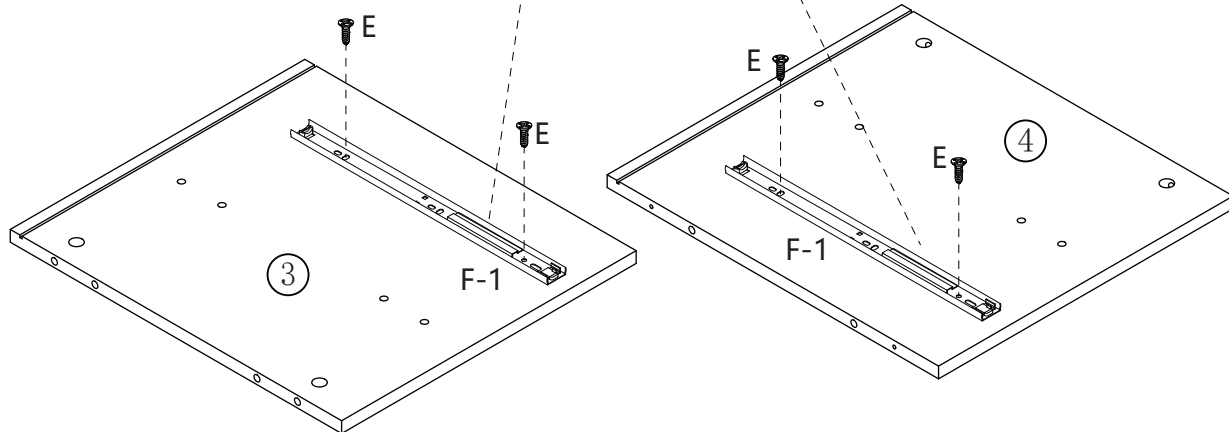
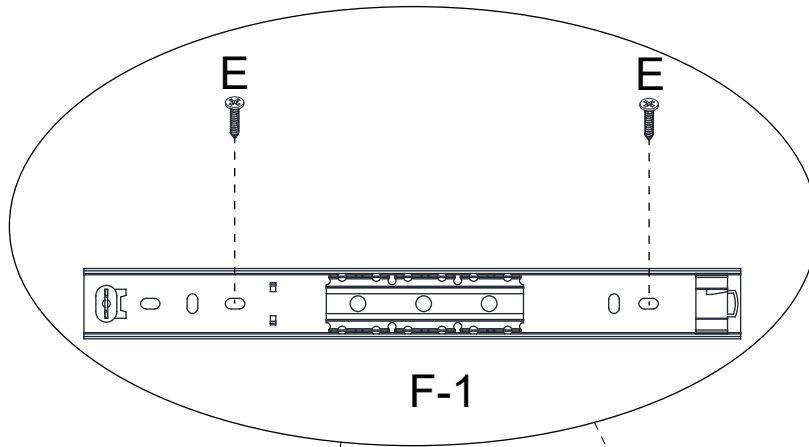
15 MIN

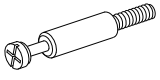






E	x4
	
3x12mm	

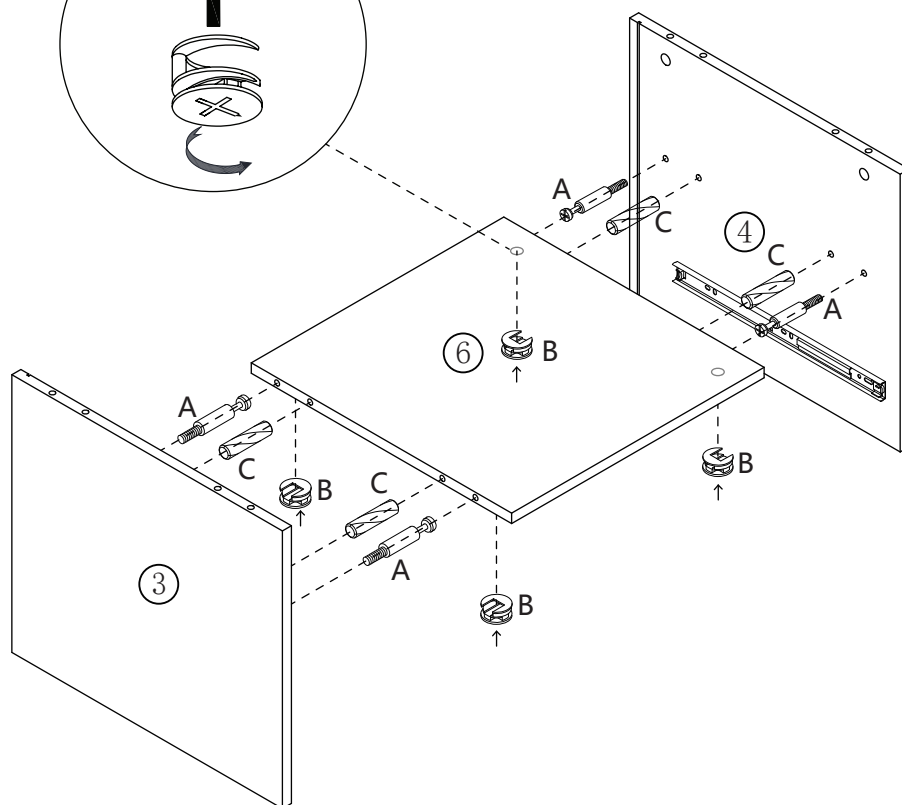
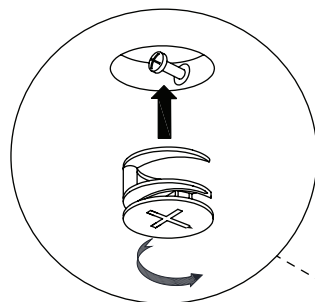
F-1	x2
	

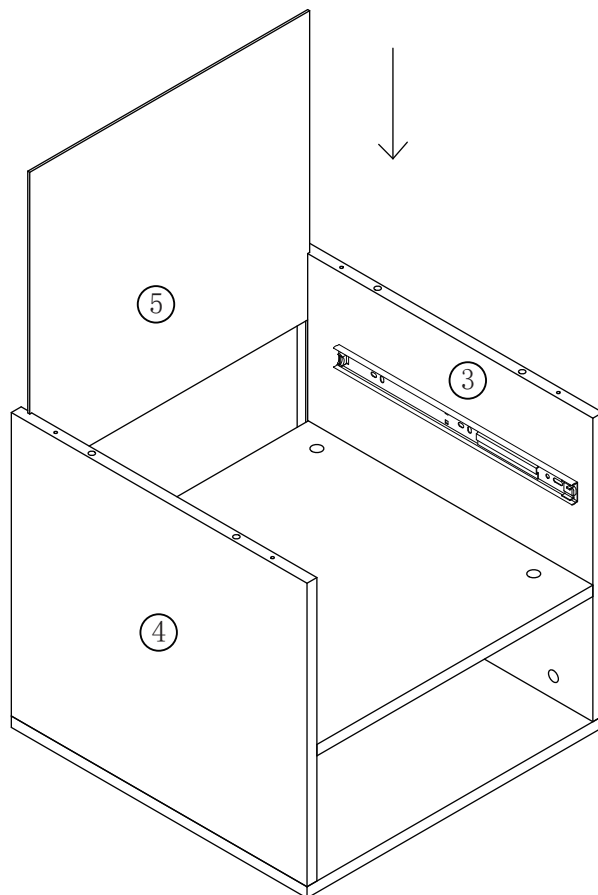
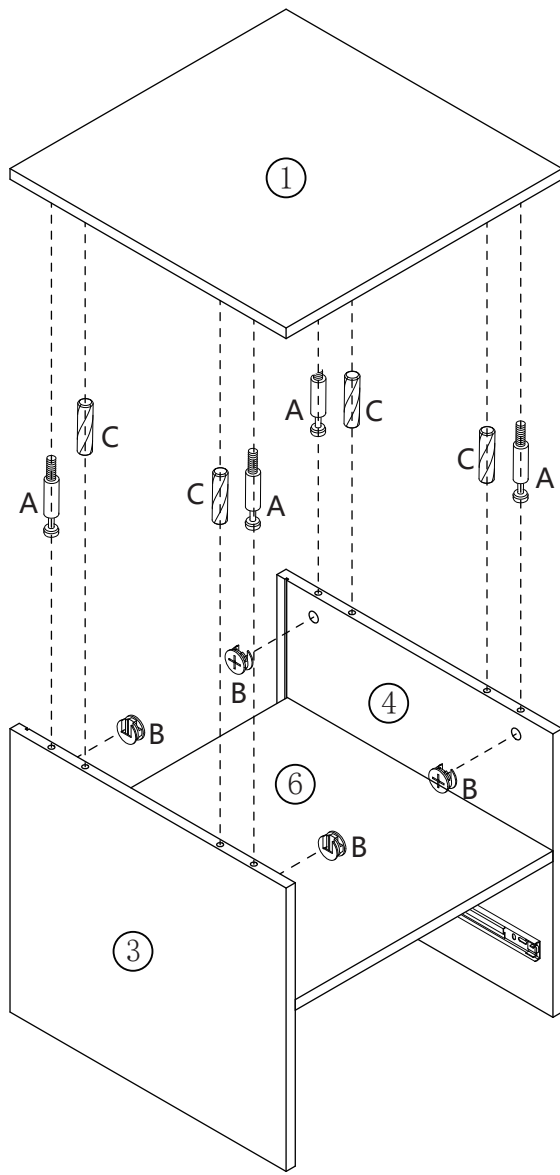
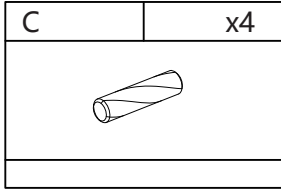
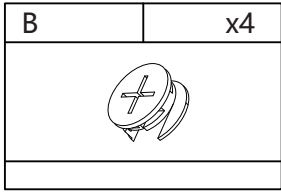
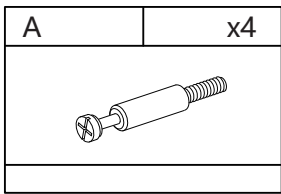



A	x4
	

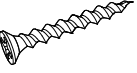
B	x4
	

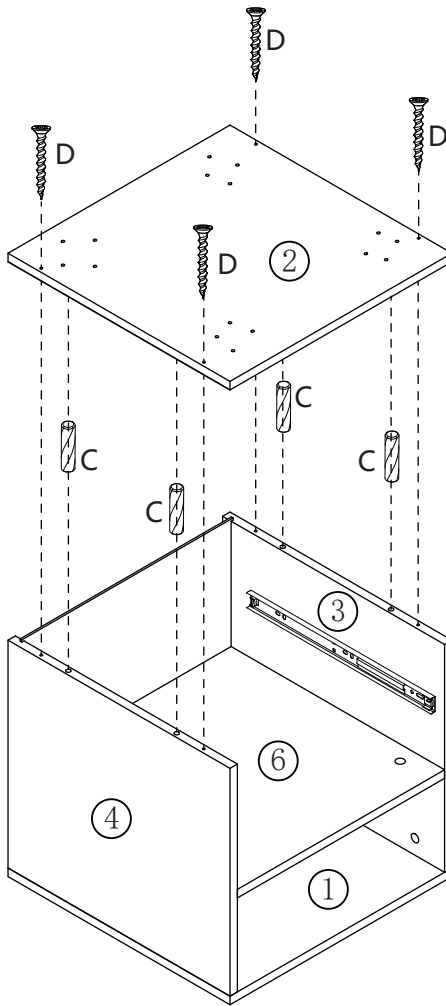
C	x4
	







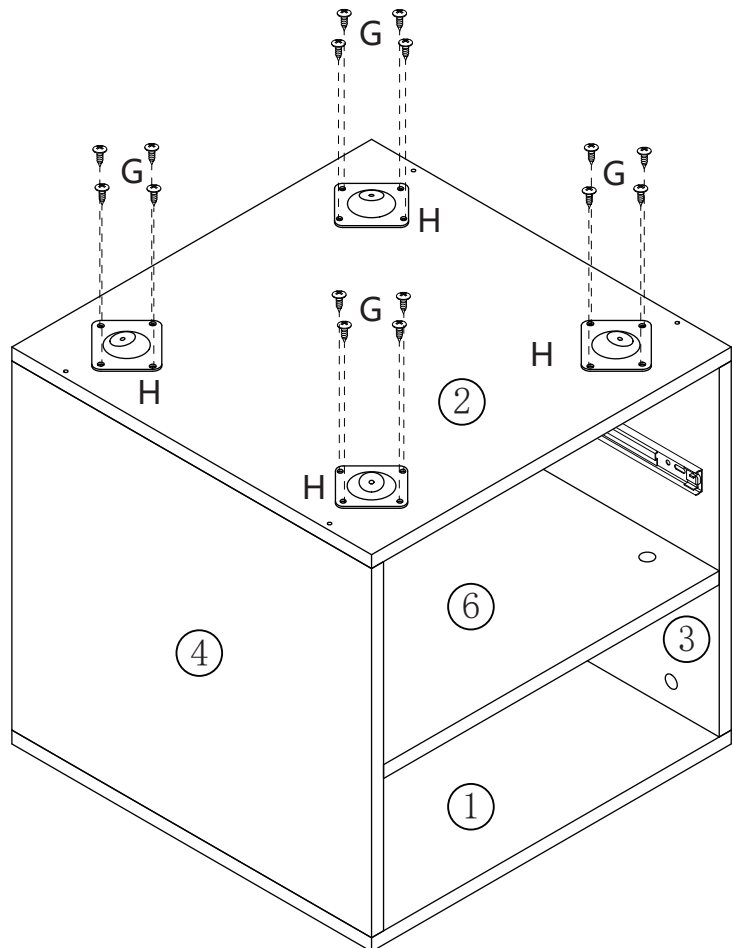
C	x4
	

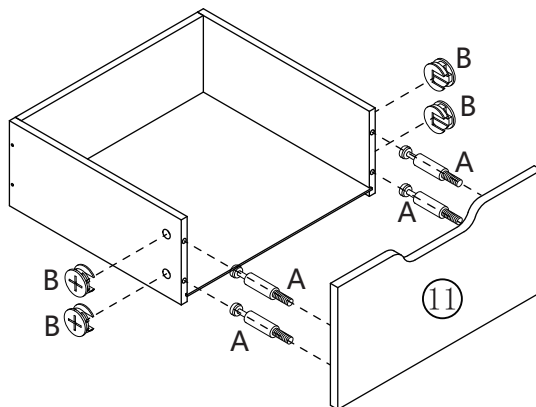
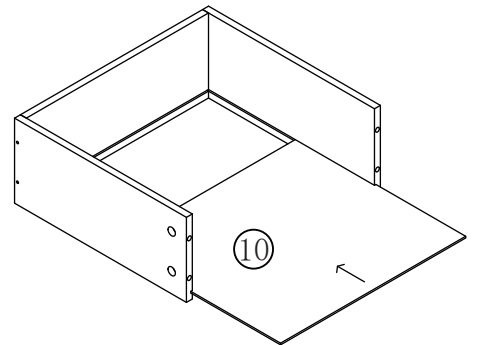
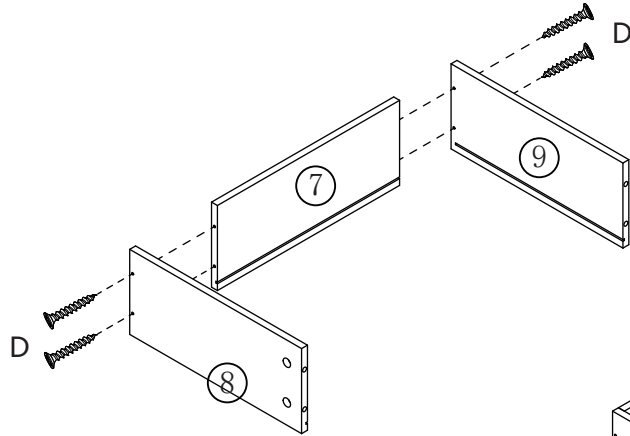
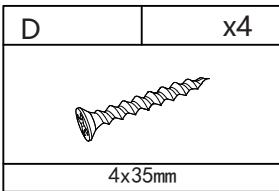
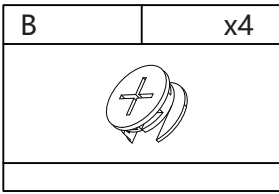
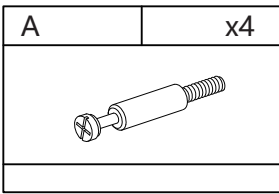
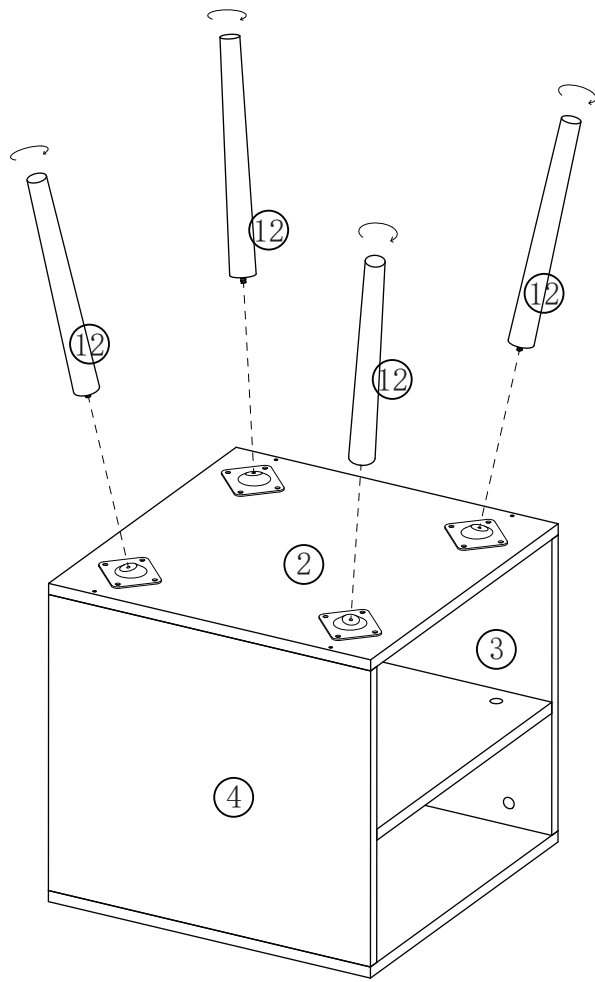
D	x4
	
4x35mm	





H	x4
	

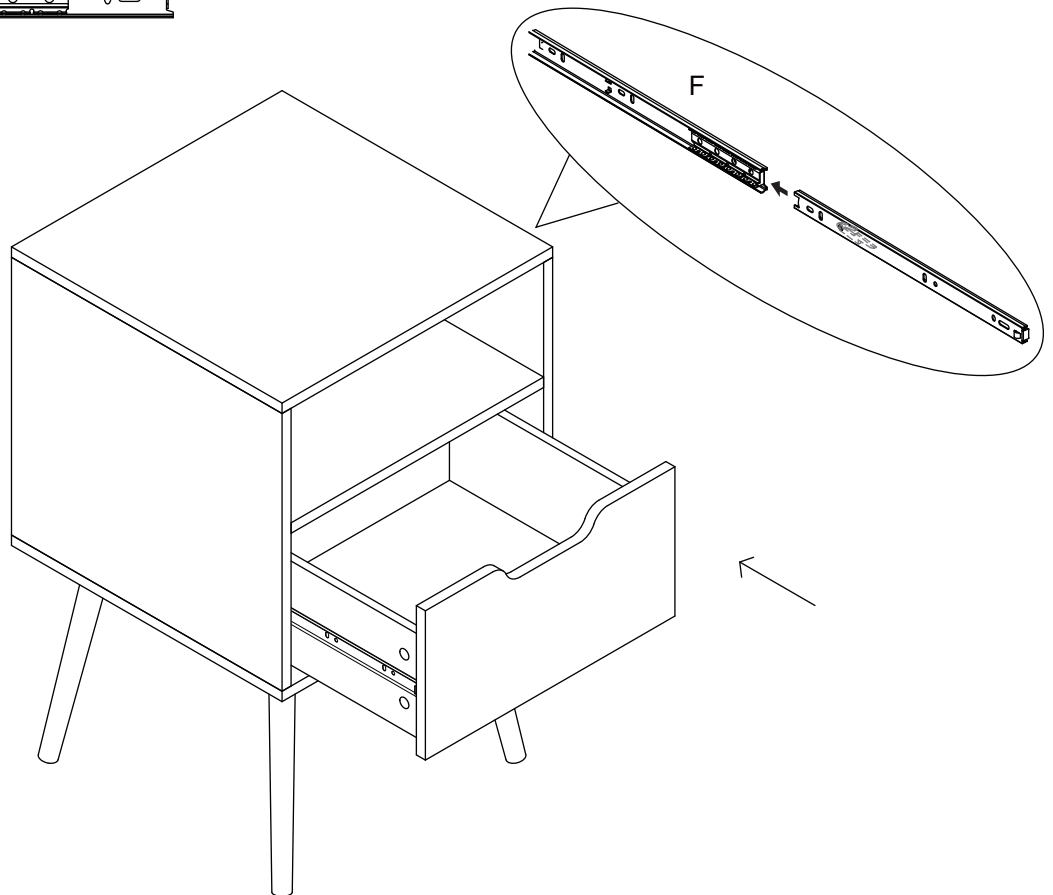
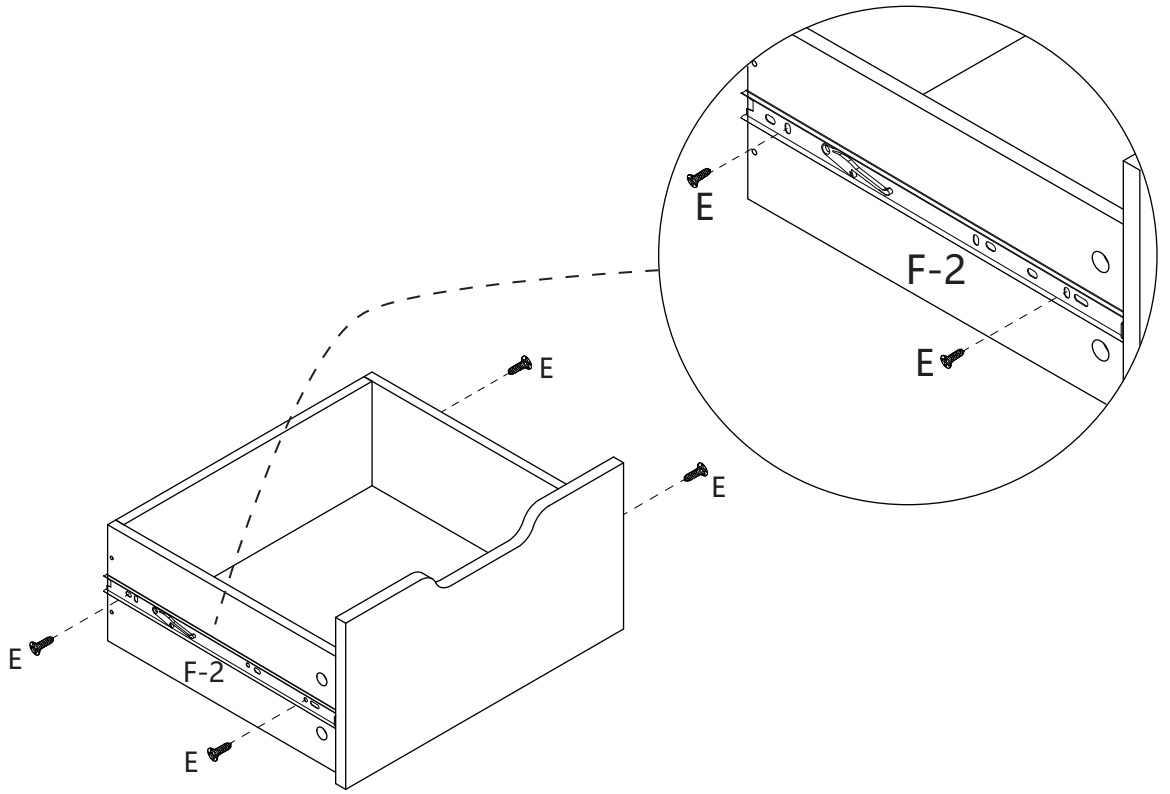
G	x16
	
4x14mm	





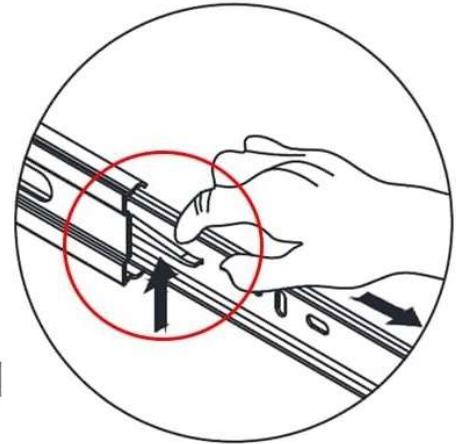
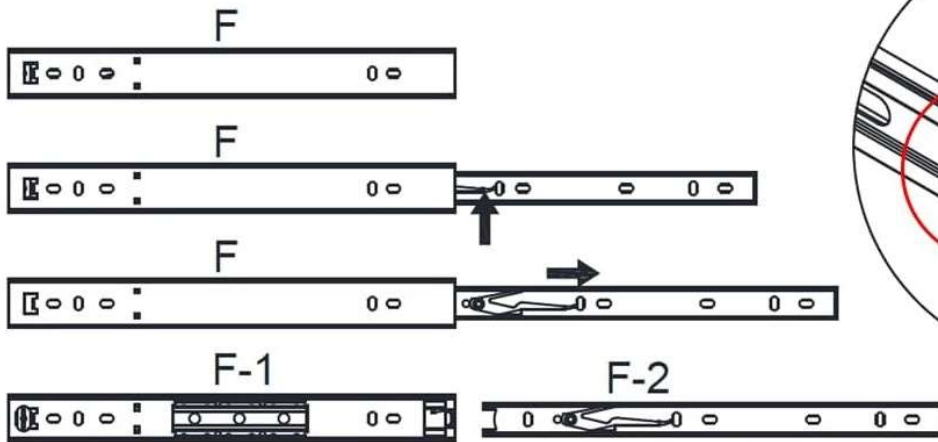
E	x4
	
3x12mm	

F	x2
	



Additional Assembly Help

Please push the small tab to separate the slider



Please push the inner railing to the end before attaching the drawer

