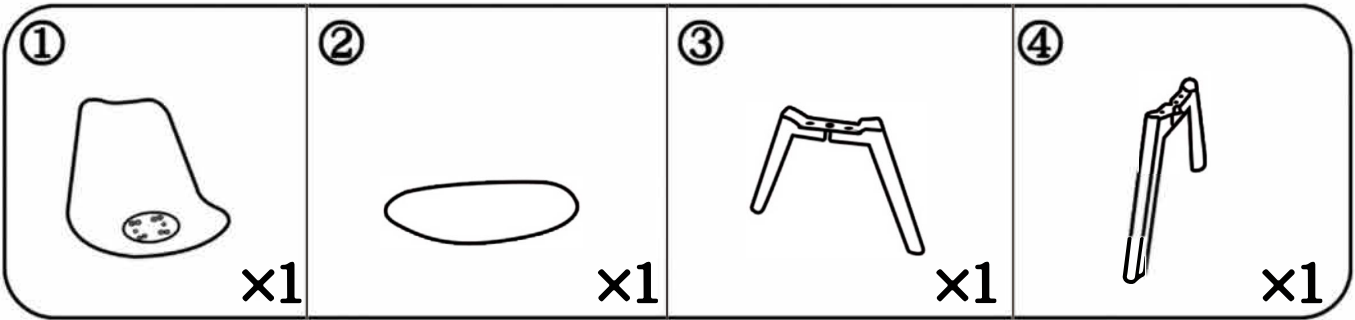
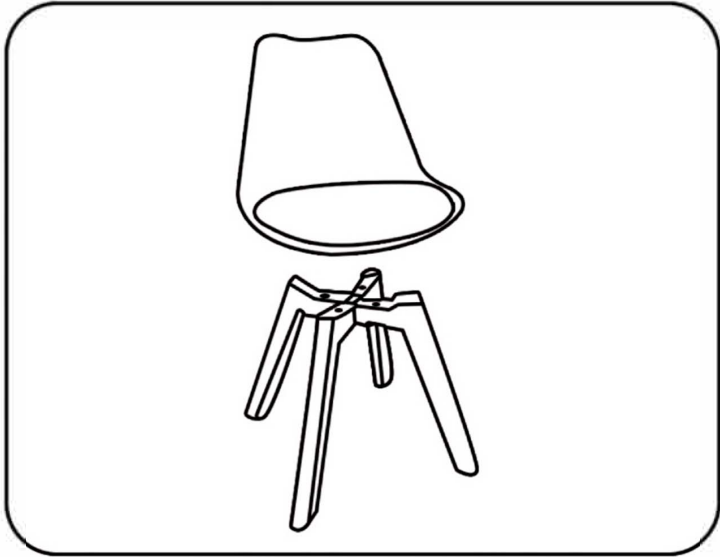





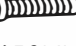


# Lounge Chair Assembly Instructions



**1**

**2**

**3**

|   |   |        |    |
|---|---|--------|----|
| A |  | 6*14MM | x5 |
| B |  | 6*25MM | x2 |
| C |  | 6*40MM | x1 |
| D |  | 6*50MM | x4 |
| E |  | M5     | x1 |
| F |  |        | x4 |