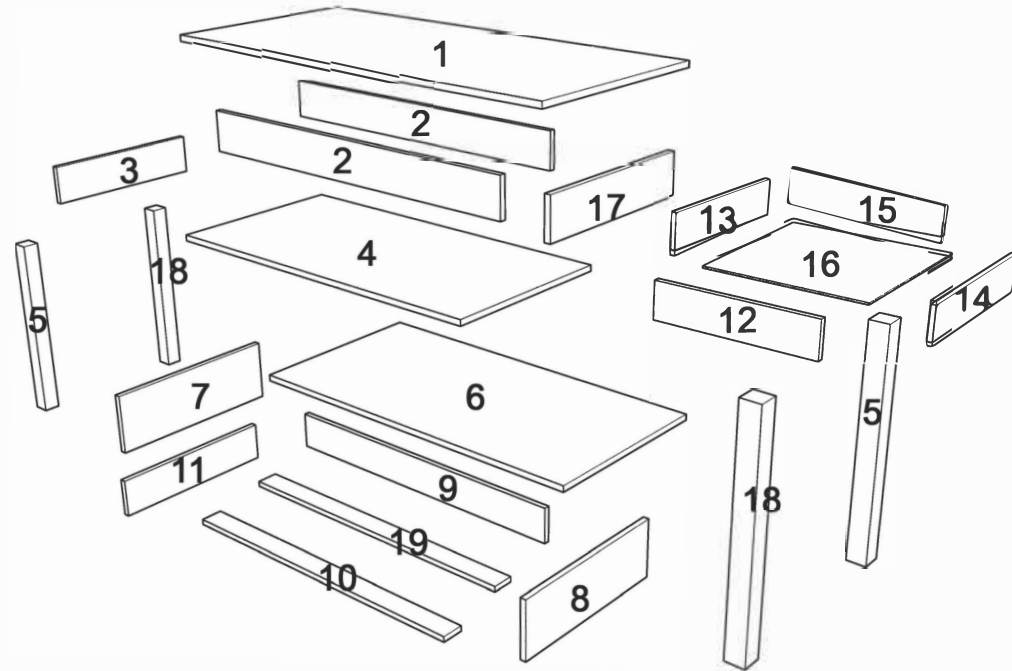












ASSEMBLY INSTRUCTIONS



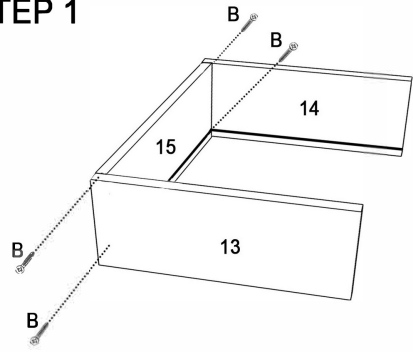
PARTS LIST



HARDWARE LIST

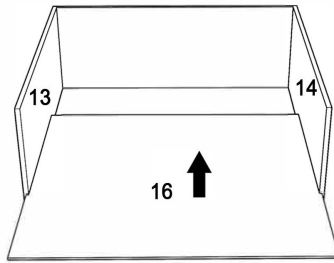
A		X 32 SETS	B		X 22 PCS
C		X 1 PC	D		X 44 PCS
E		X 1 SETS	F		X 2 SETS
G		X 16 PCS	H		X 2 PCS
I		X 4 PCS	J		X 1 PC

STEP 1



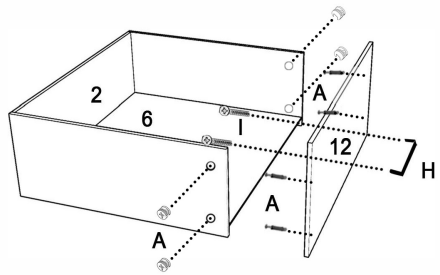
X2

STEP 2



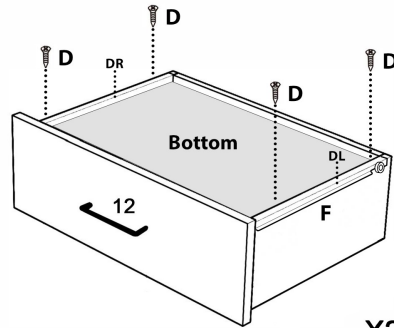
X2

STEP 3



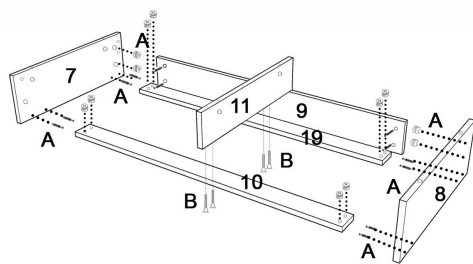
X2

STEP 4

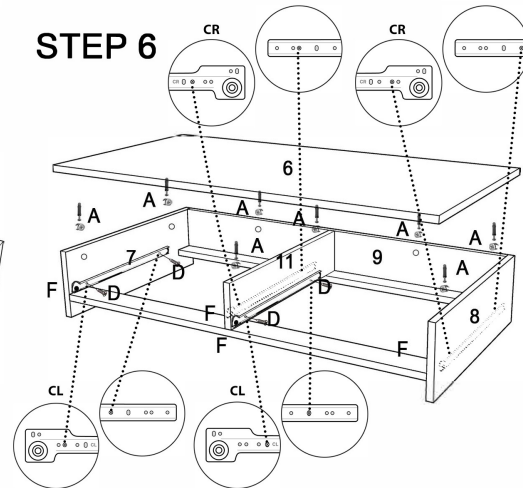


X2

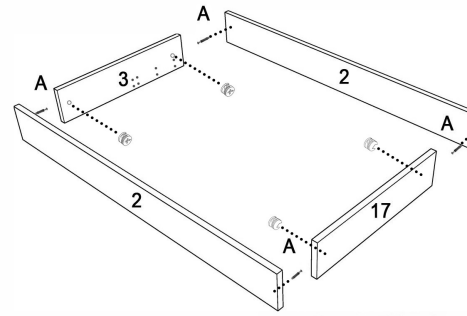
STEP 5



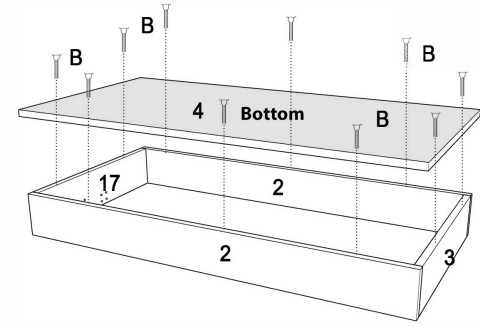
STEP 6



STEP 7



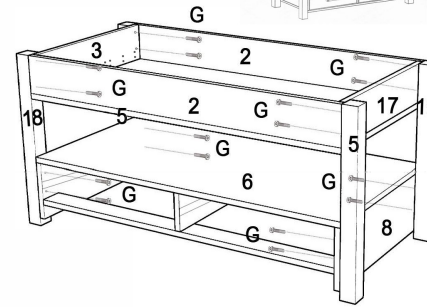
STEP 8



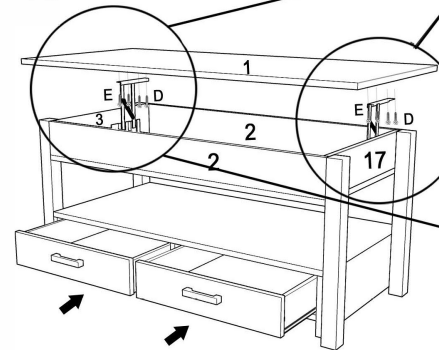
Installation A



STEP 9



STEP 10 Two people preferred.



Installation B

Turn around the top section in STEP 9.

