


# ASSEMBLY INSTRUCTIONS

## Foldable & Extendable Dolly



 **WARNING:** Please read and following these safety instructions when operating.

When using this dolly, you must take the following basic precautions to reduce the risk of property and personal injury.

**KEEP THIS PRODUCT AWAY FROM CHILDREN**

When not in use, the trolley should be stored in a safe place out of the reach of children.

When you use a hand cart on a slope, be sure to hold the handle tightly to prevent the cart from rolling away from you.

Do not lift more than you can handle as it may cause serious injuries.

Operate this dolly with caution especially when carrying heavy objects.

### Parts List

1. Lock Bar x 1	6. Bolt x 16
2. Handle x 1	7. Nut x 16
3. Bar Extension x 1	8. O-Washers x 16
4. Dolly Base x 1	9. U-Washers x 2
5. Tab Lock x 1	10. T-Washers x 2

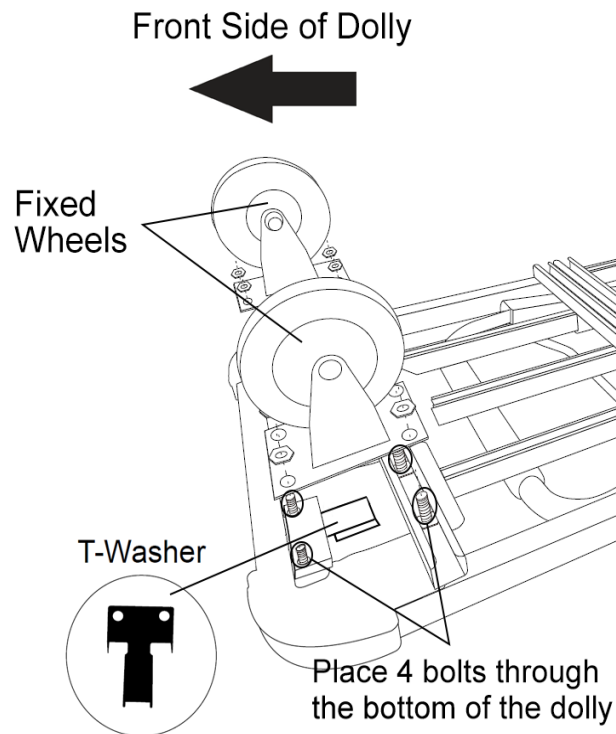
## Step 1

Place the dolly on its back in the closed position.



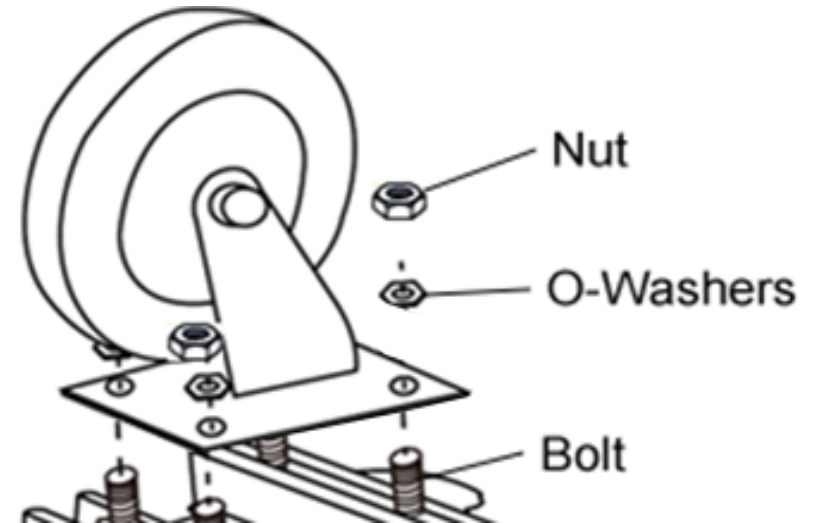
## Step 2

Locate the front of the dolly (the side opposite of the handle). Place the 4 bolts into the hole through to the bottom side of the dolly. Place the T bracket onto the 2 front bolts as shown in the diagram below.



## Step 3

After placing the T-Washer, place the **Fixed** wheels (not the swivel wheels) onto the 4 bolts, then the O-Washers, then secure the Nut onto the 4 bolts.

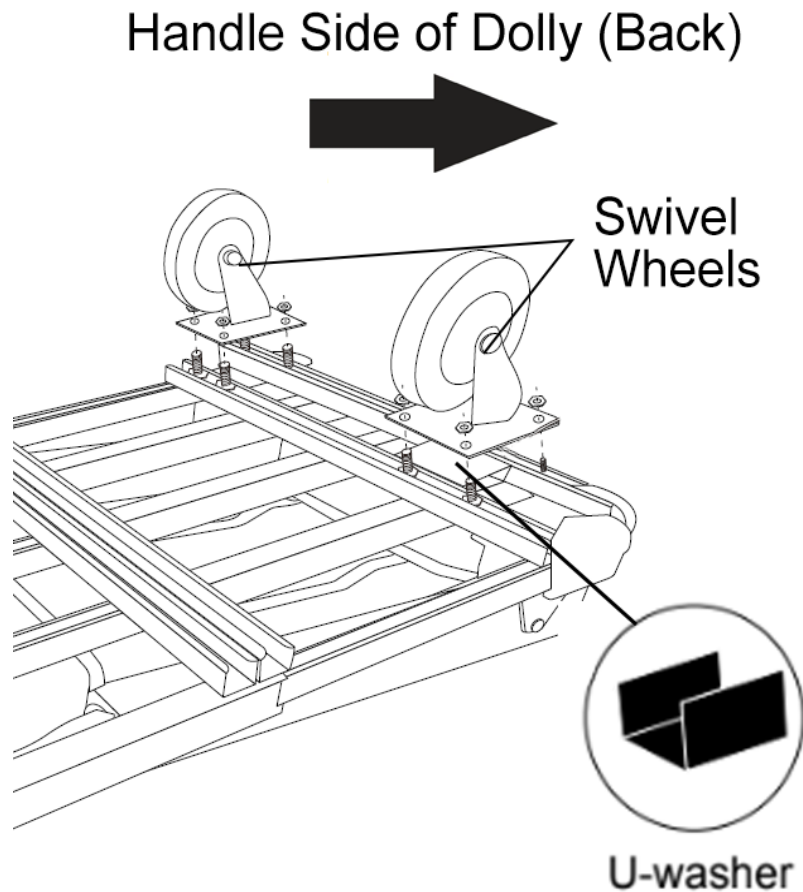


## Step 4

Repeat this for the front wheel on the other side.

## Step 5

Locate the 4 holes the back of the dolly (the same side where the handle is located). Place the 4 bolts into the hole through to the bottom side of the dolly. Place the U bracket at the back end of the platform between the 4 bolts. See the two images below.



## Step 6

After placing the U-Washer, place the Swivel wheels onto the 4 bolts, then the O-Washers, then secure the Nut onto the 4 bolts. Refer to the diagram in Step 3 above.

## Step 7

Repeat this for the back wheel on the other side. The product is now ready to use!

# OPERATIONAL INSTRUCTIONS

1. Unlatch the lock tab. (See Figure 1)
2. Extend the length of the dolly. (See Figure 2)
3. Rotate the locking tab 180 degrees to secure the extended dolly. (See Figure 3)
4. Pull the rod up to lock into place. (See Figure 4)
5. To collapse the dolly, step on the rod, and push down & forward on the handle to fold the dolly into its compact configuration.

