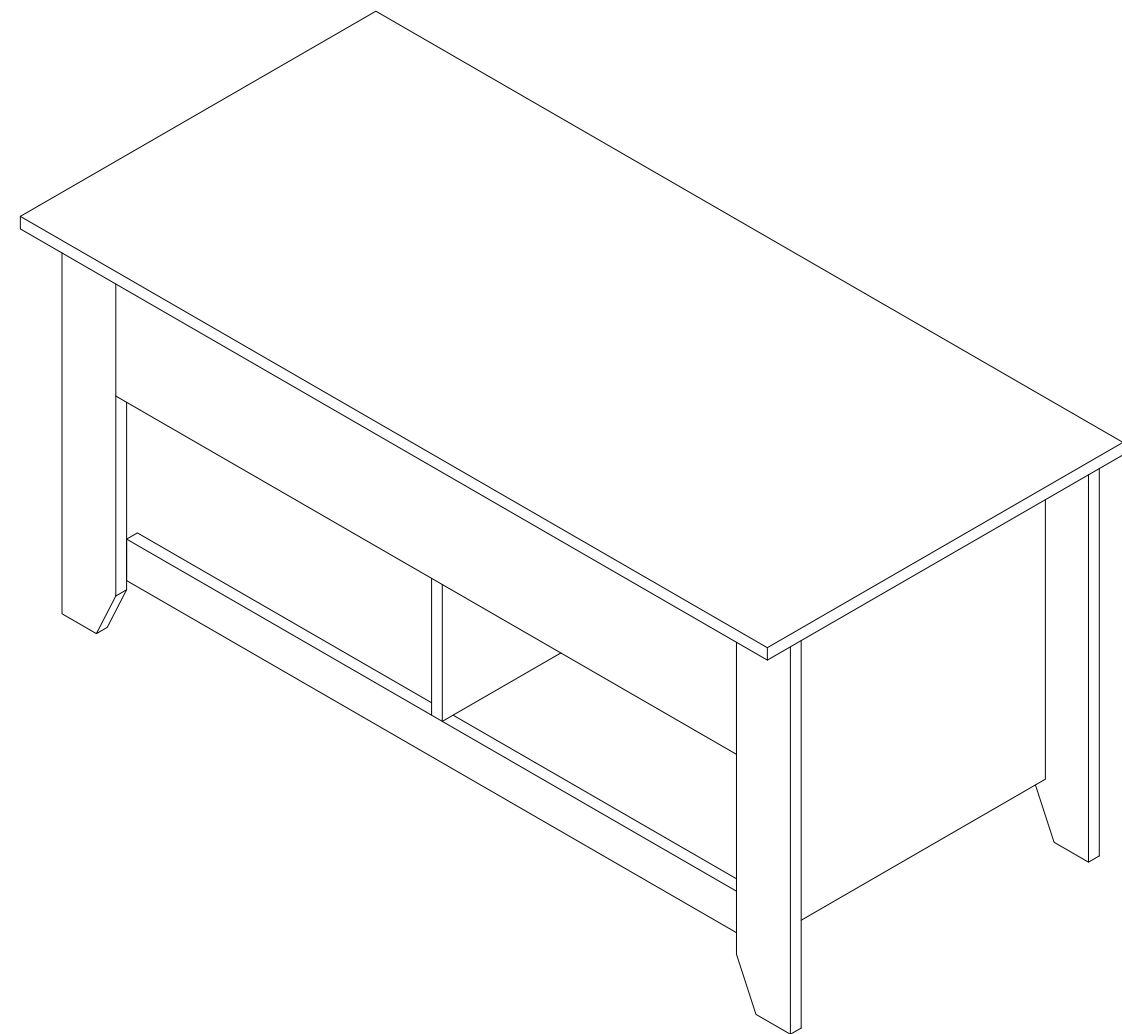
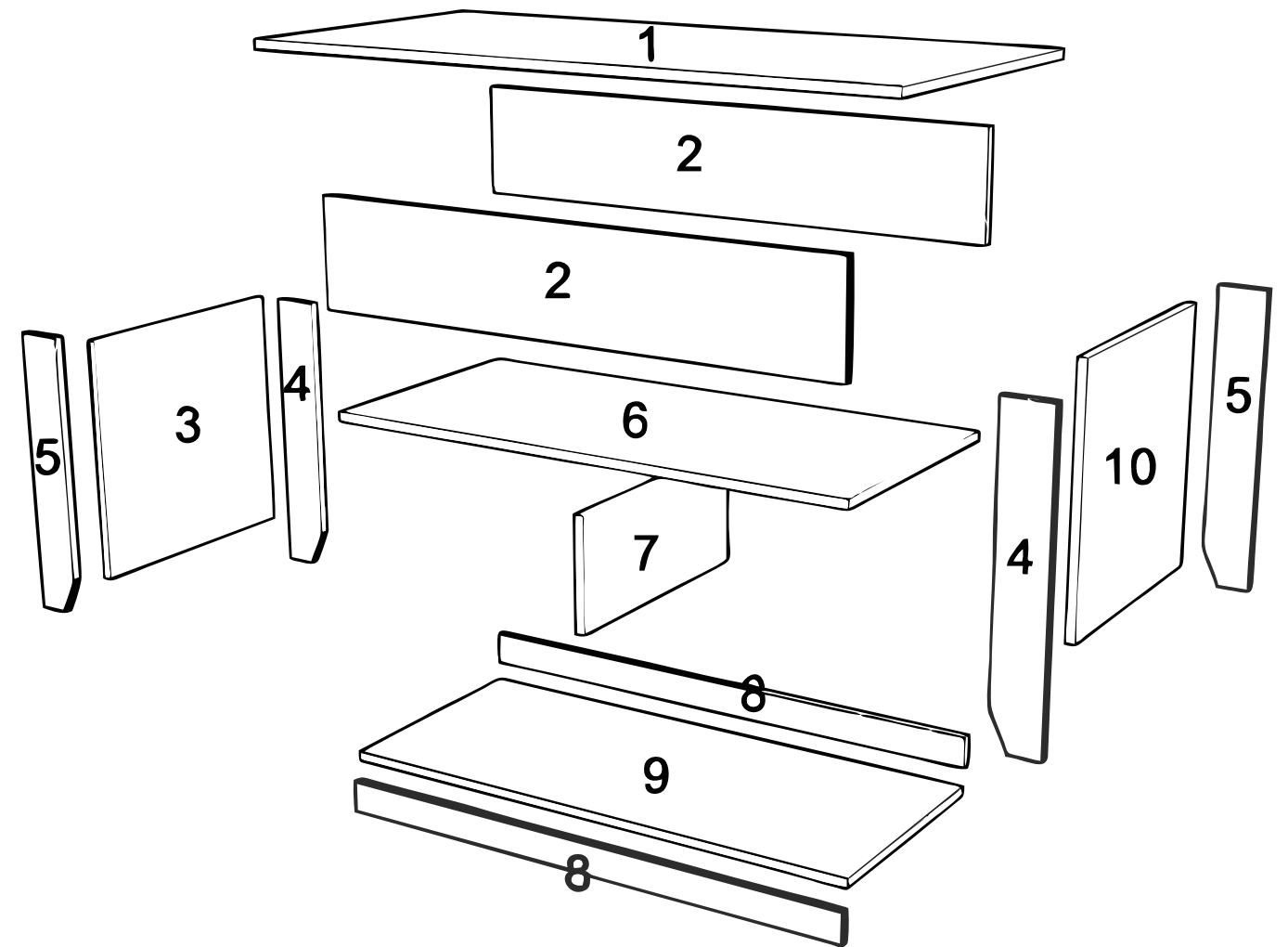


# ASSEMBLY INSTRUCTIONS



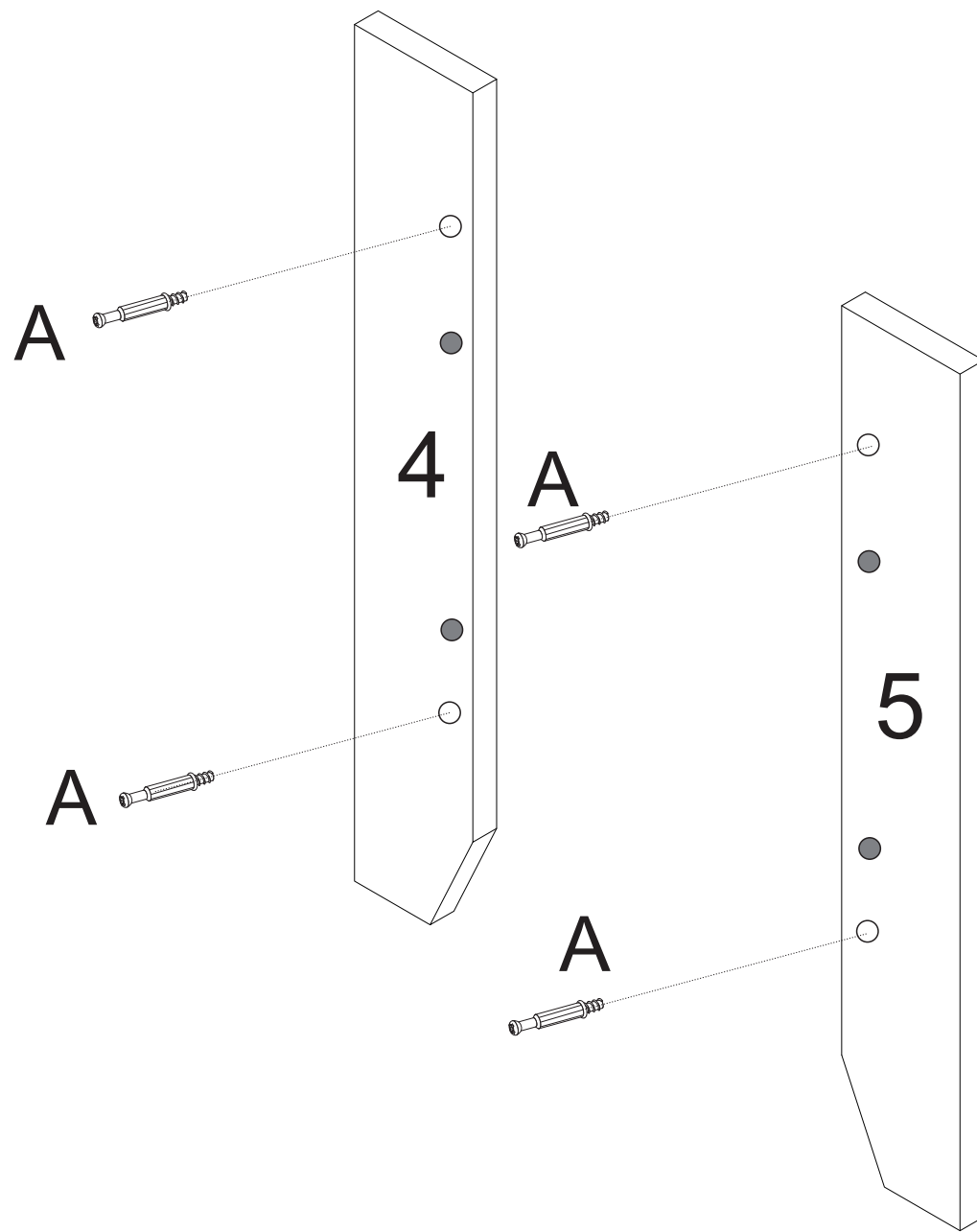
## PARTS LIST



## HARDWARE LIST

- |   |  |          |   |  |          |
|---|--|----------|---|--|----------|
| A |  | X 42 PCS | B |  | X 2 PCS  |
| C |  | X 16 PCS | D |  | X 2 PCS  |
| E |  | X 1 SETS | F |  | X 42 PCS |
| G |  | X 1 SETS |   |  |          |

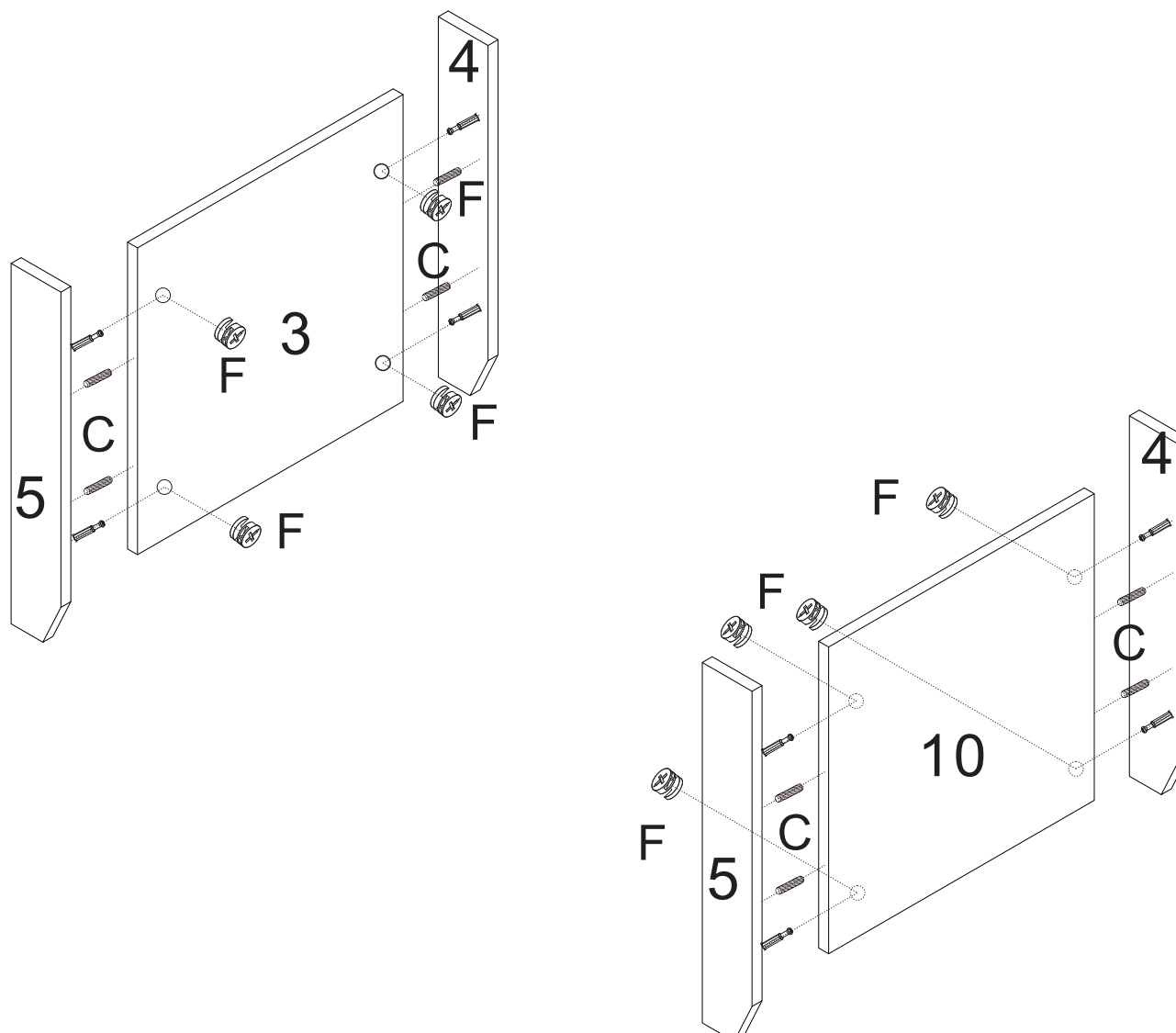
STEP 1



X 2

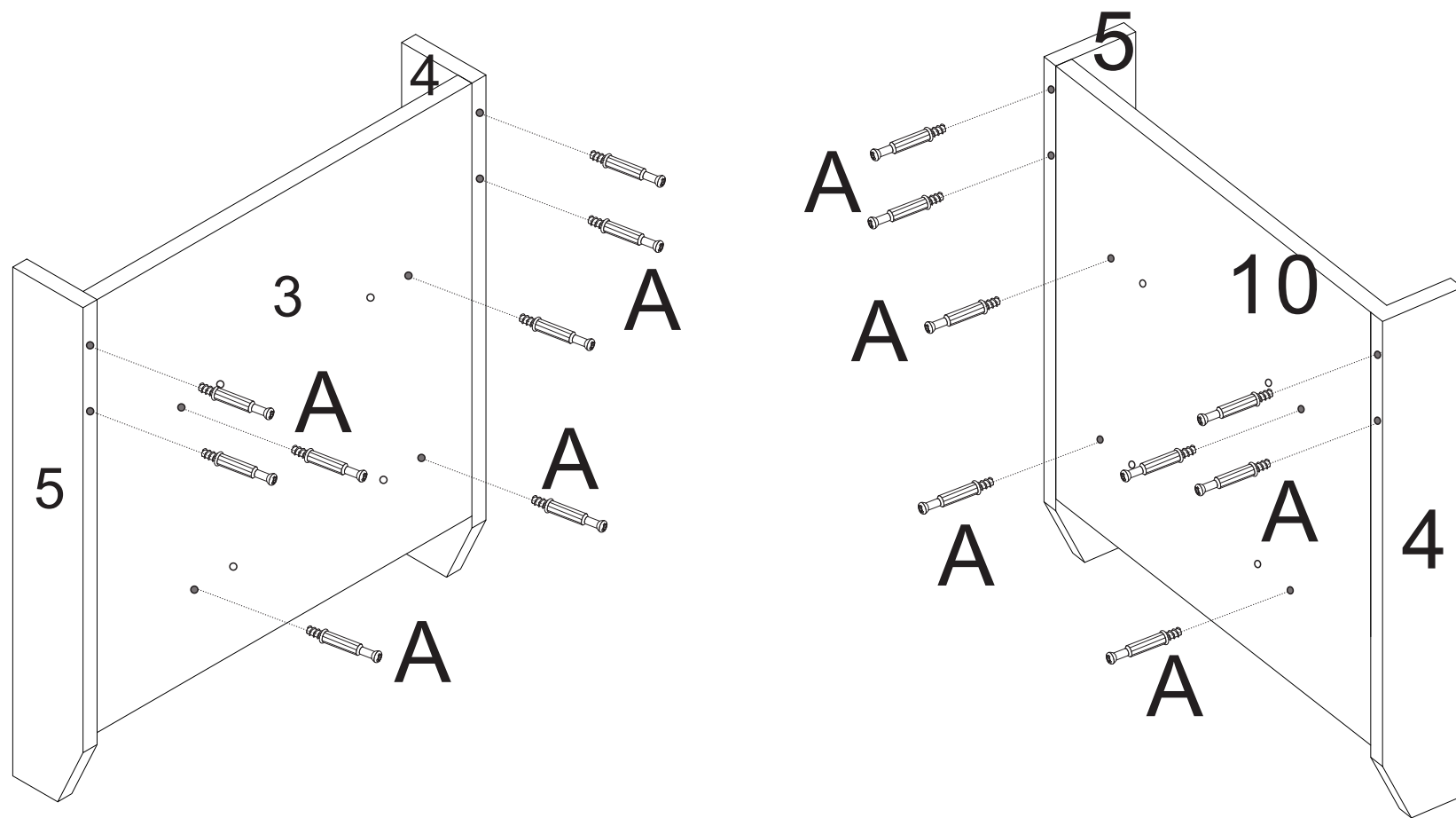
A X 8

STEP 2



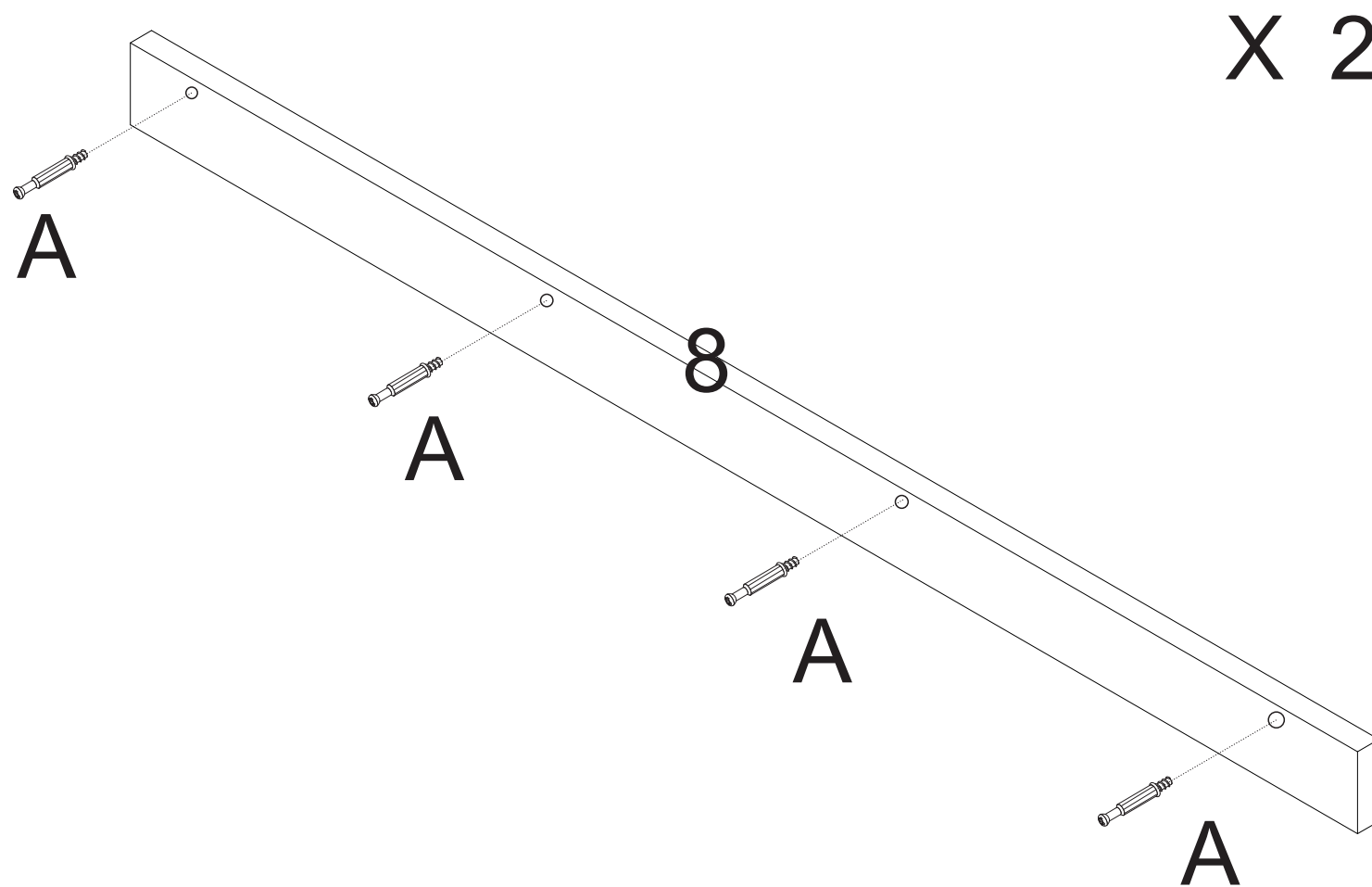
C X 8  
F X 8

STEP 3



A X 16

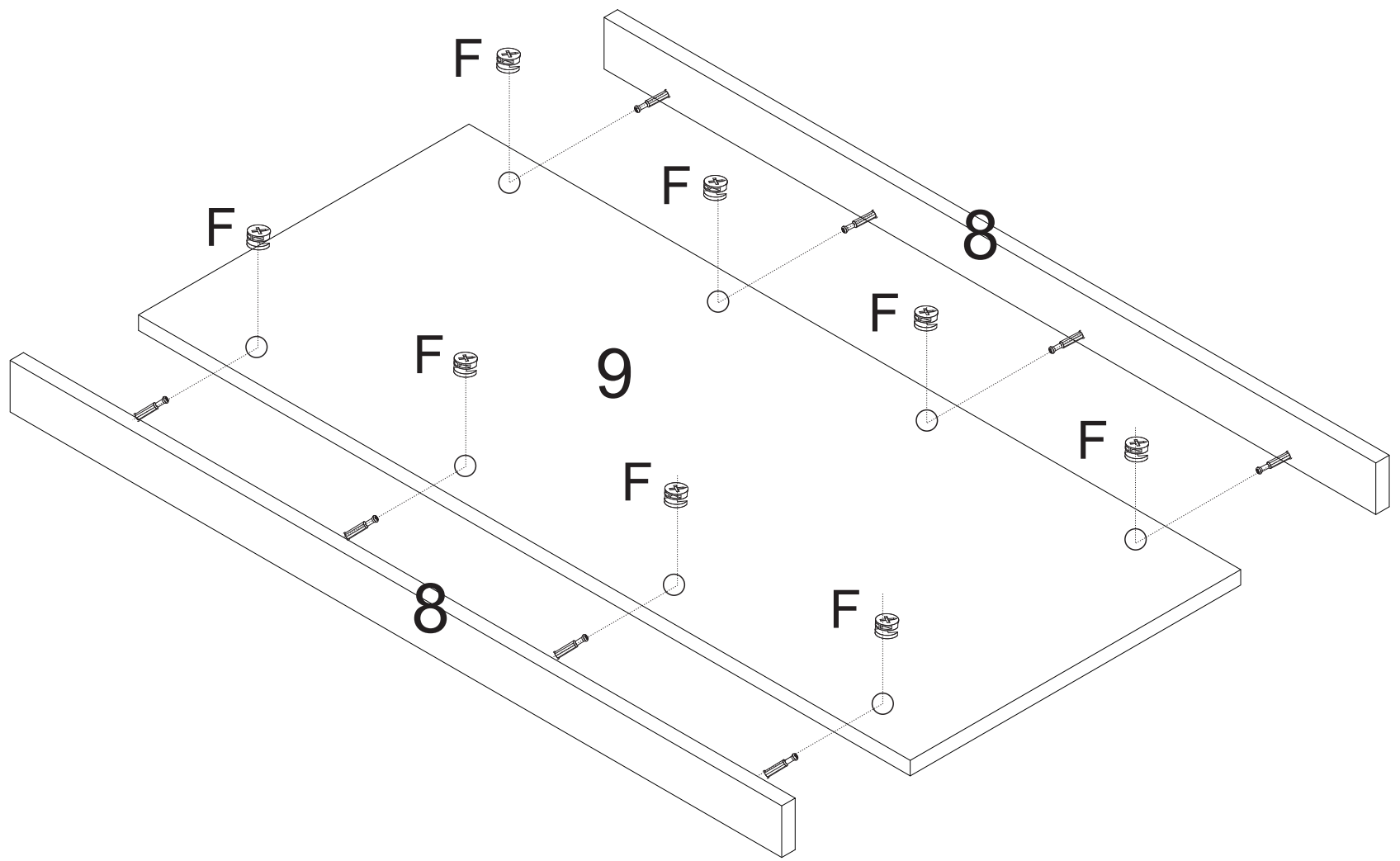
STEP 4



X 2

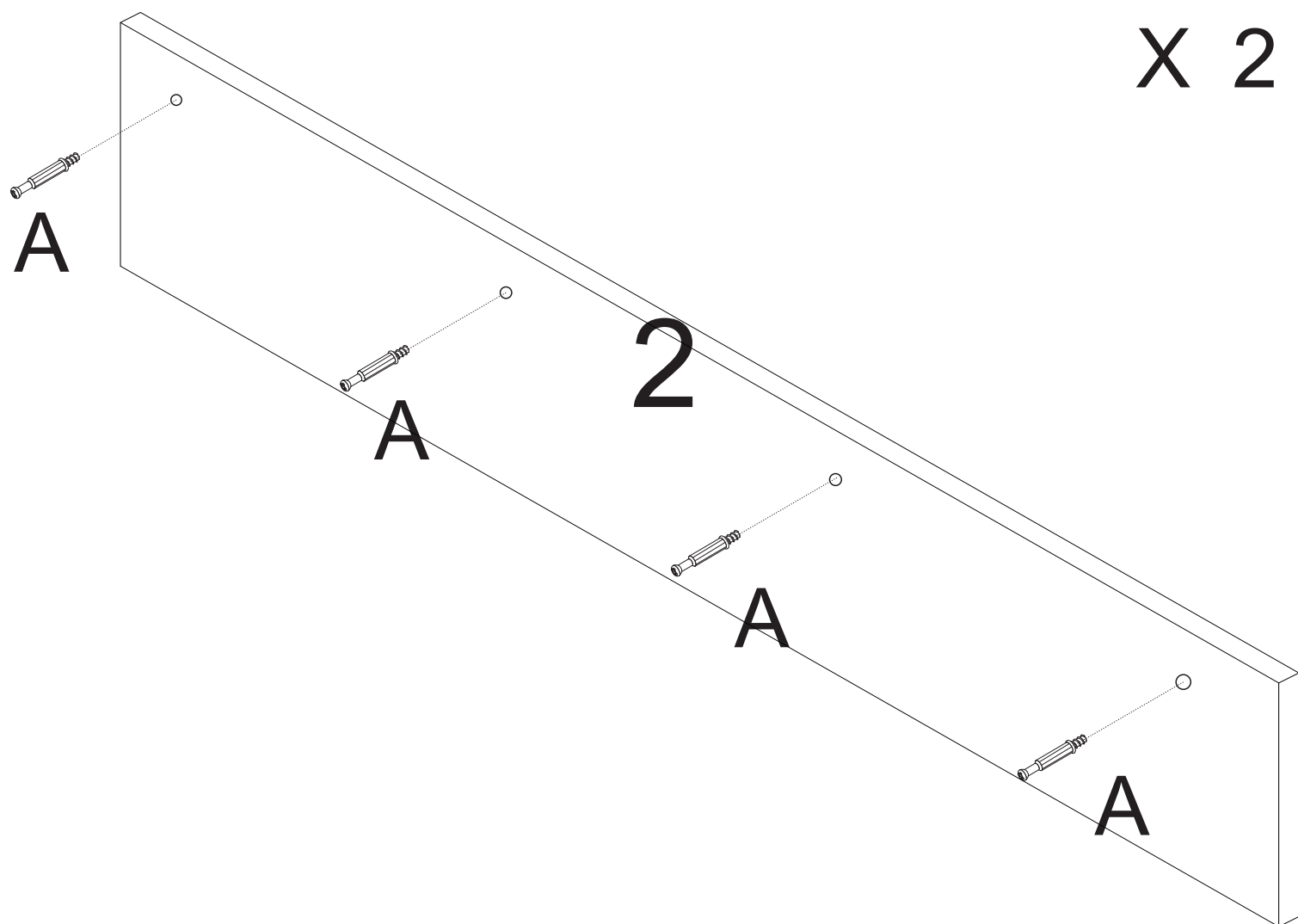
A X 8

STEP 5



F X 8

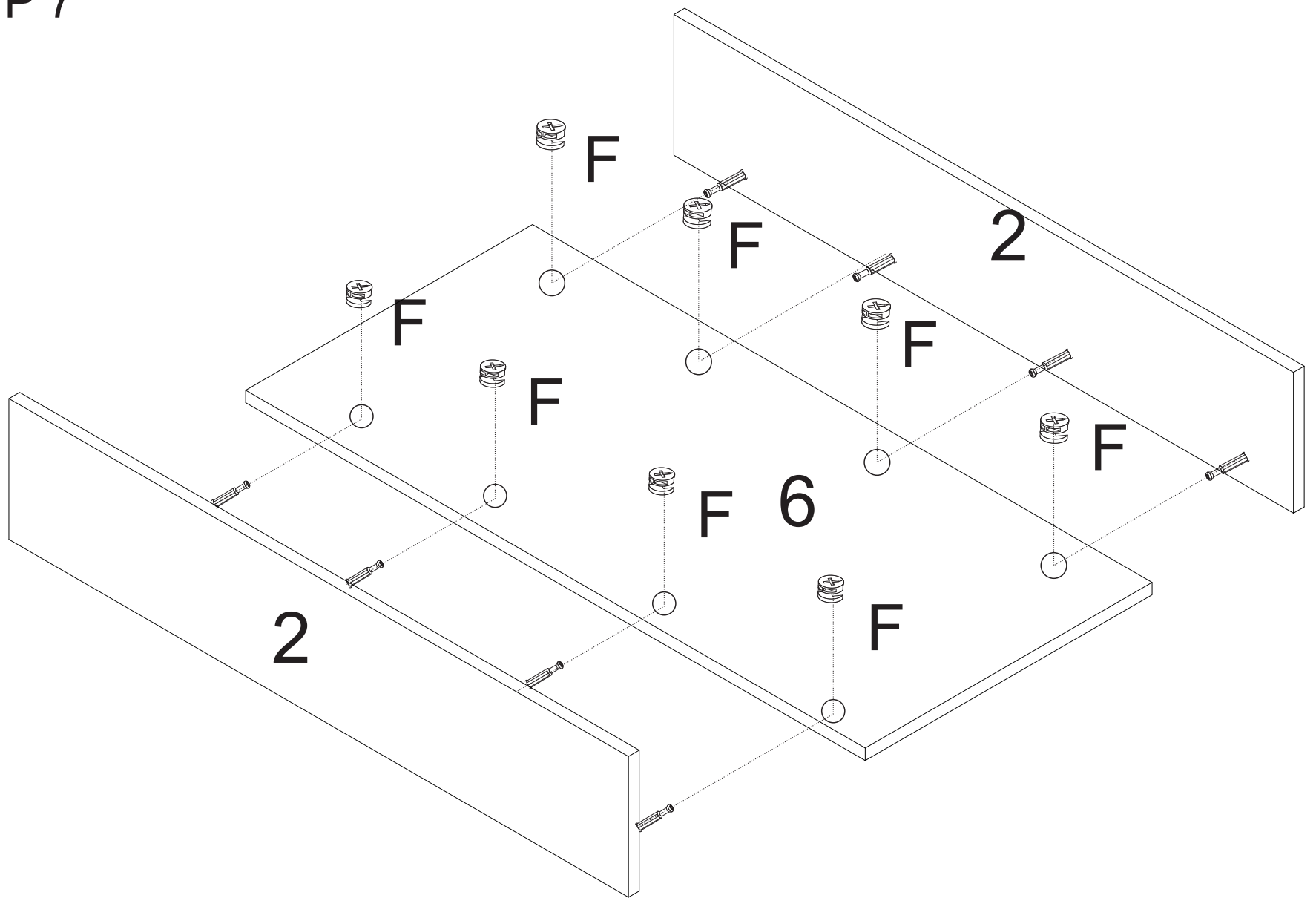
STEP 6



X 2

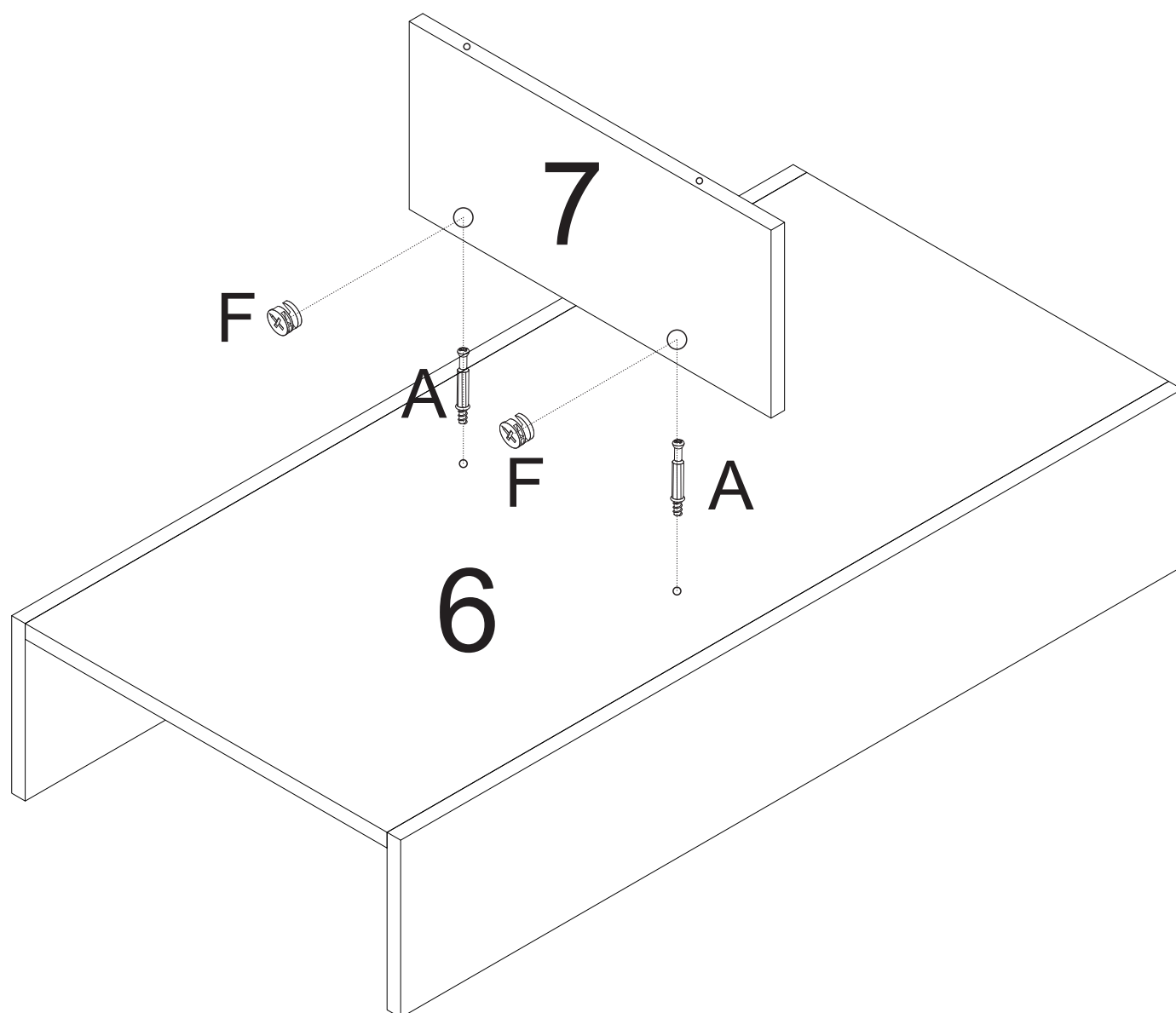
A X 8

STEP 7



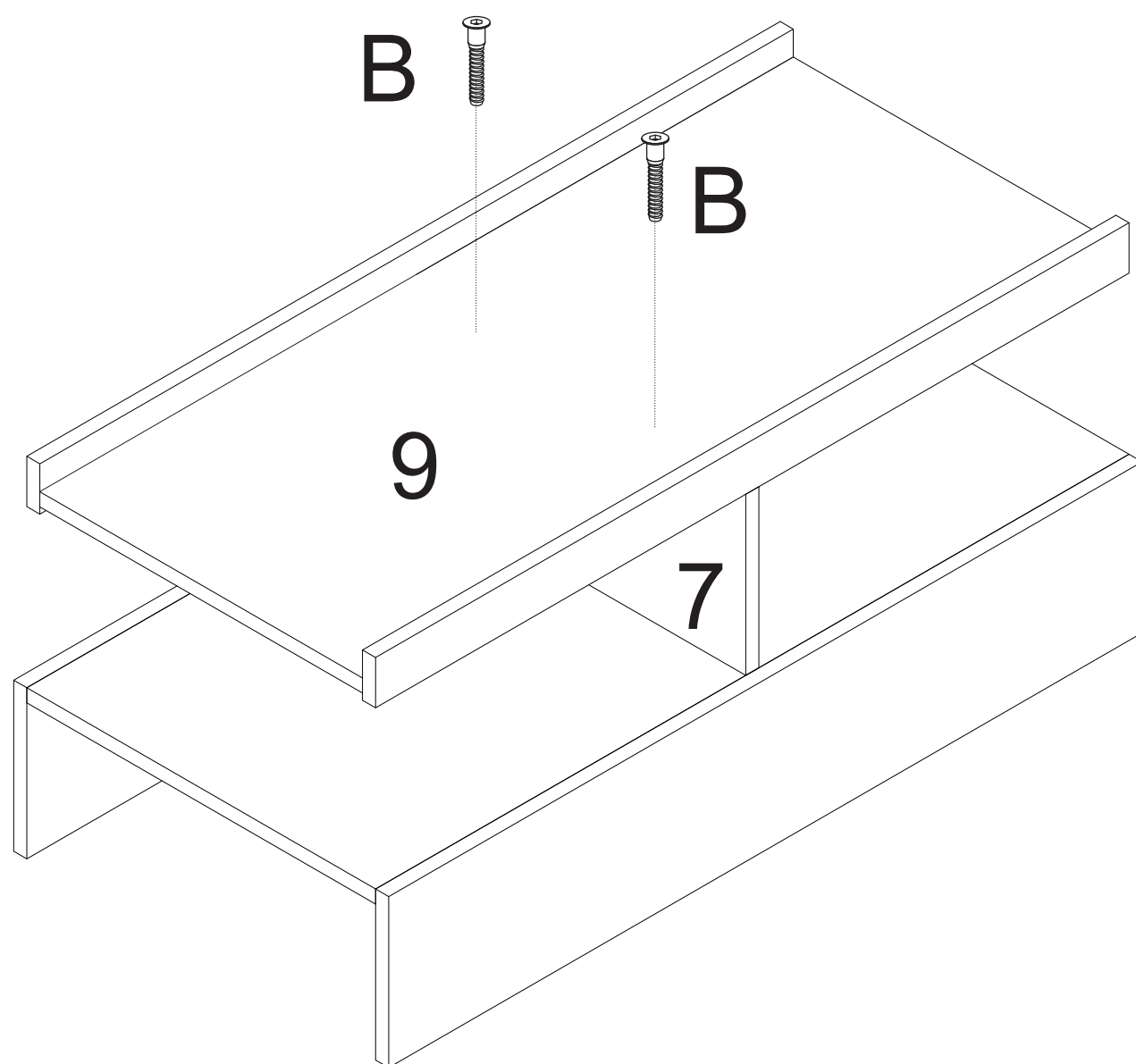
**F X 8**

STEP 8



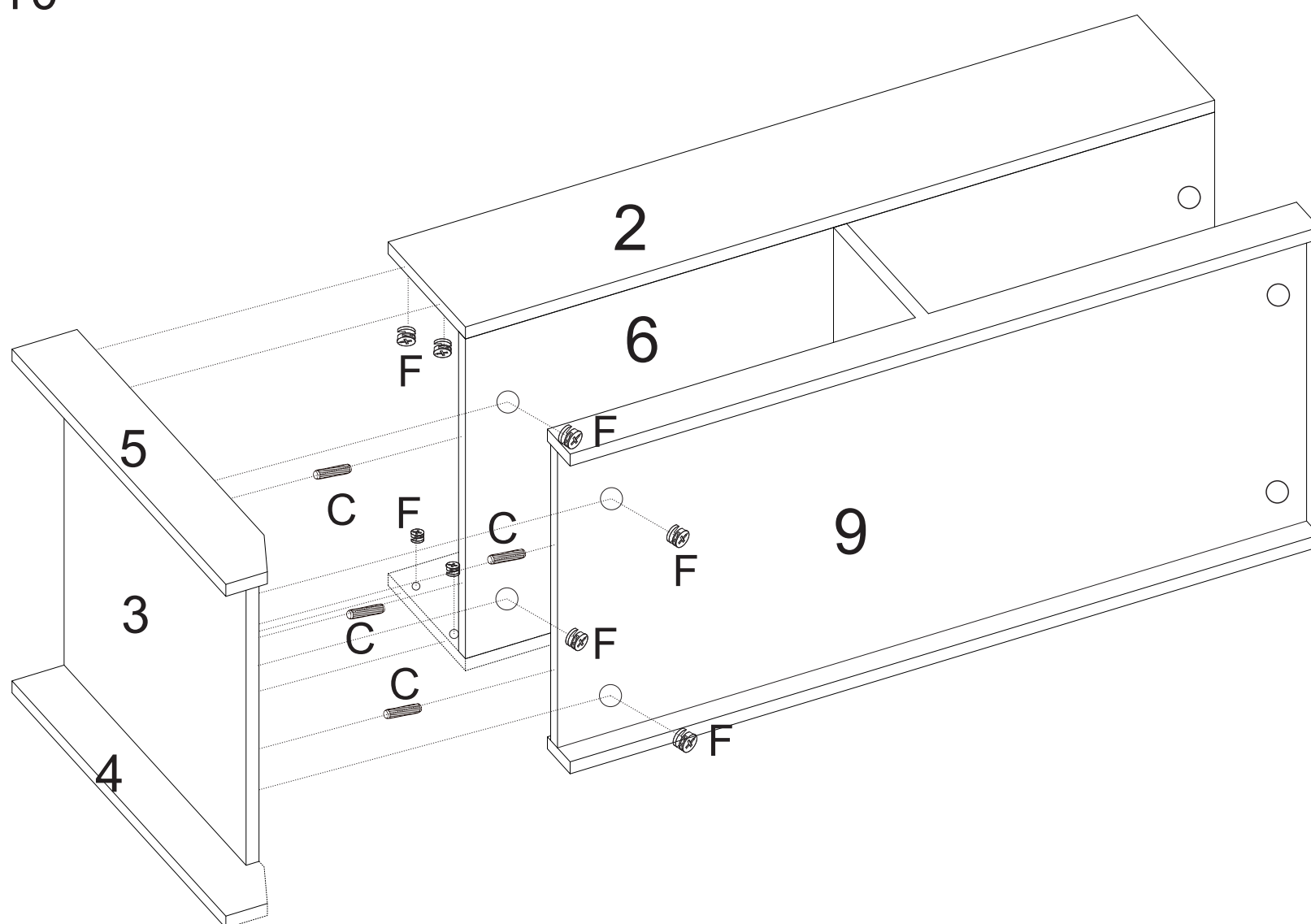
**A X 2**  
**F X 2**

STEP 9



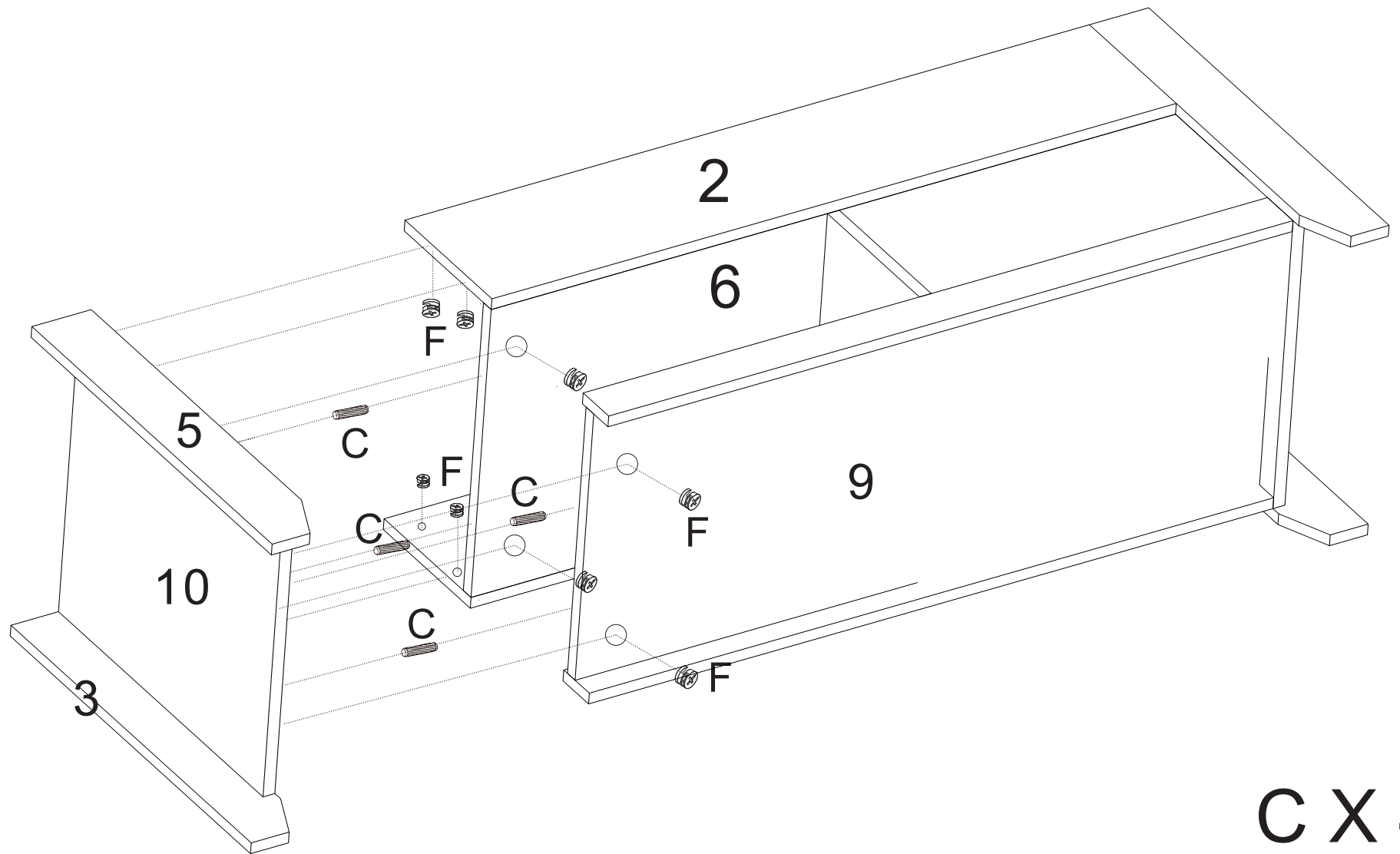
B X 2

STEP 10



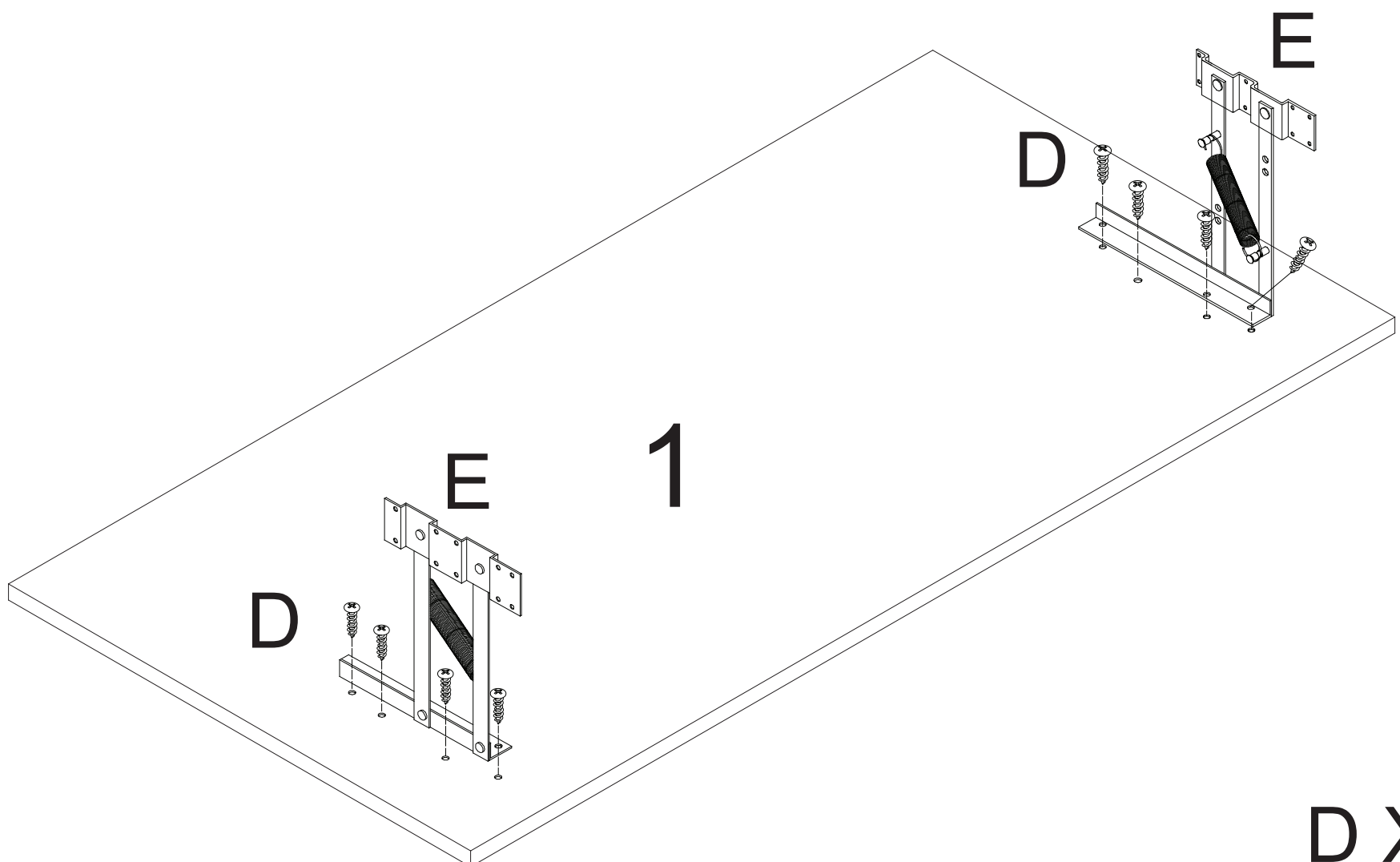
C X 4  
F X 8

# STEP 11



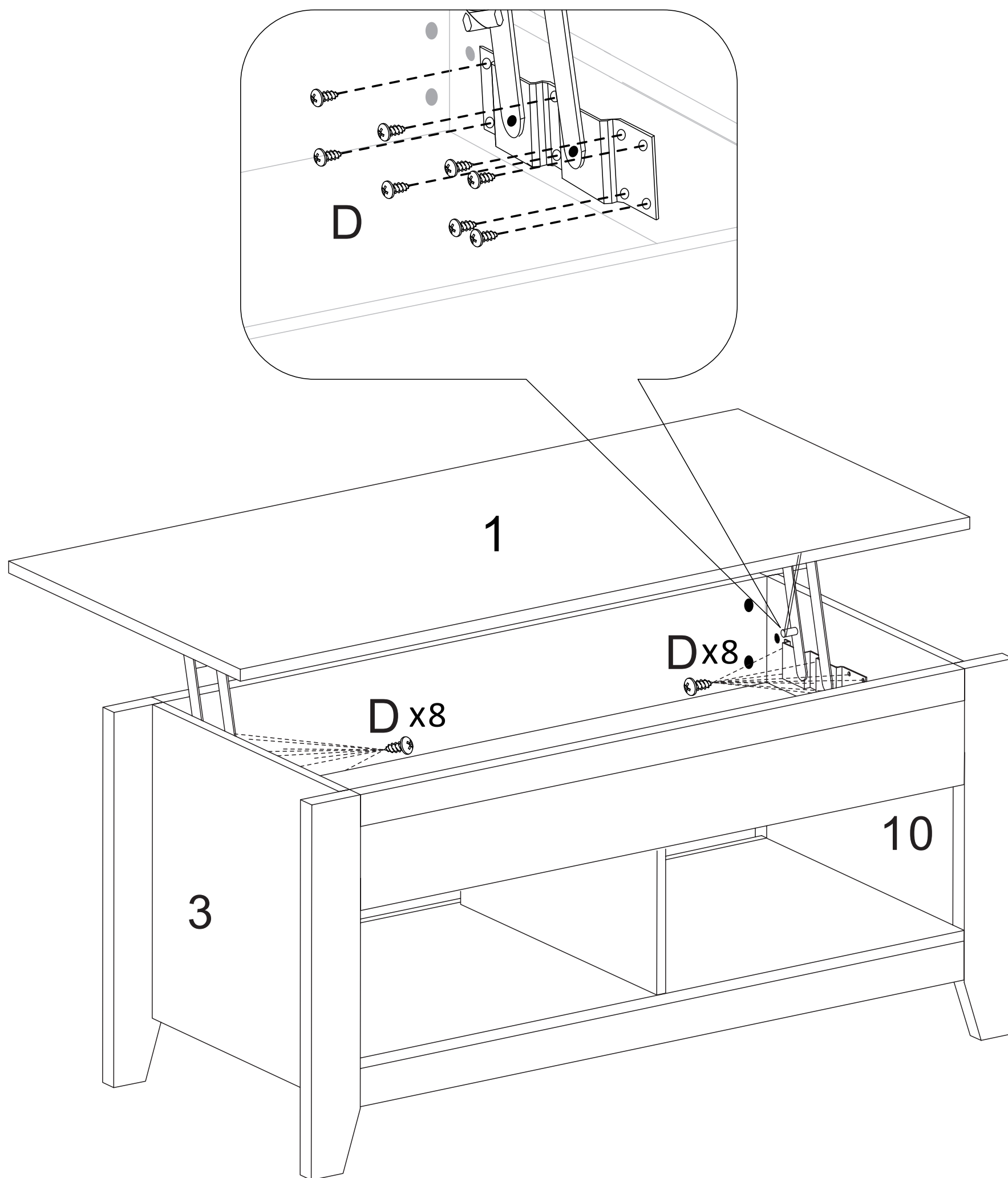
C X 4  
F X 8

# STEP 12



D X 8  
E X 2

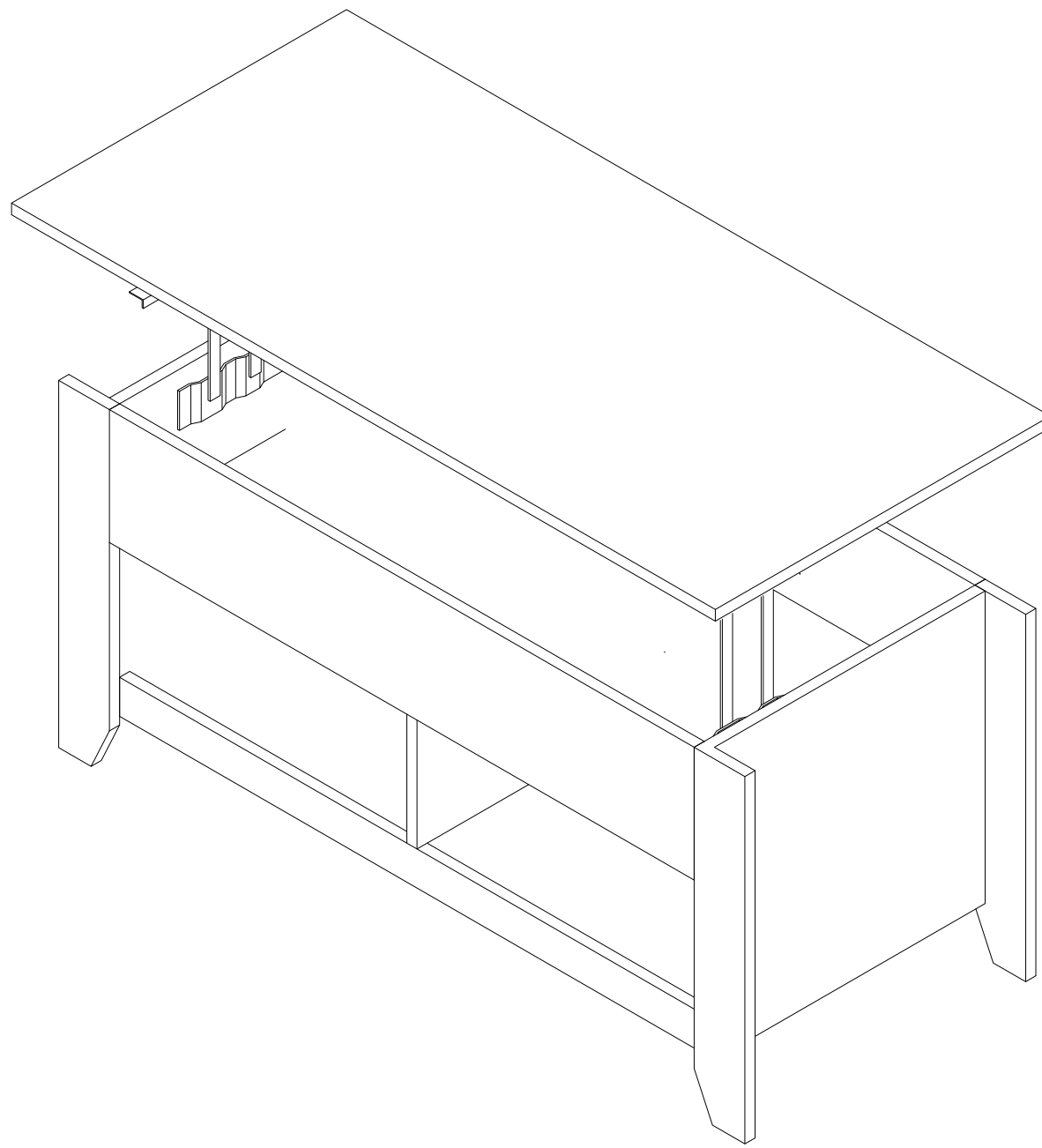
STEP 13



D X 16



STEP 14



STEP 15

