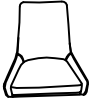
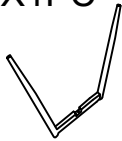


ASSEMBLING INSTRUCTION

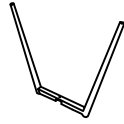
1 X1PC



2 X1PC



3 X1PC



4 X1PC



A X4PCS



B X4PCS



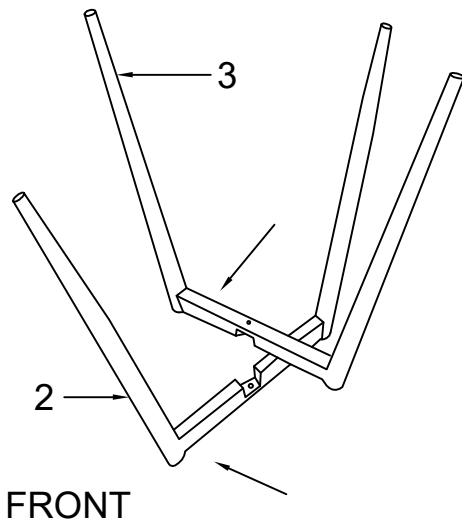
C X4PCS



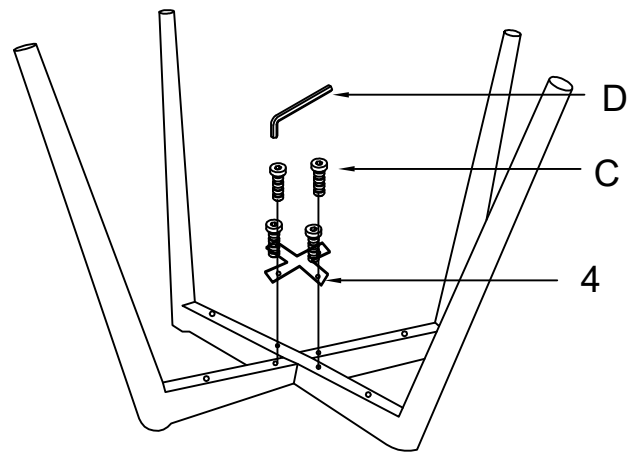
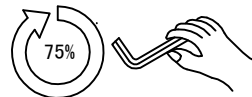
D X1PC



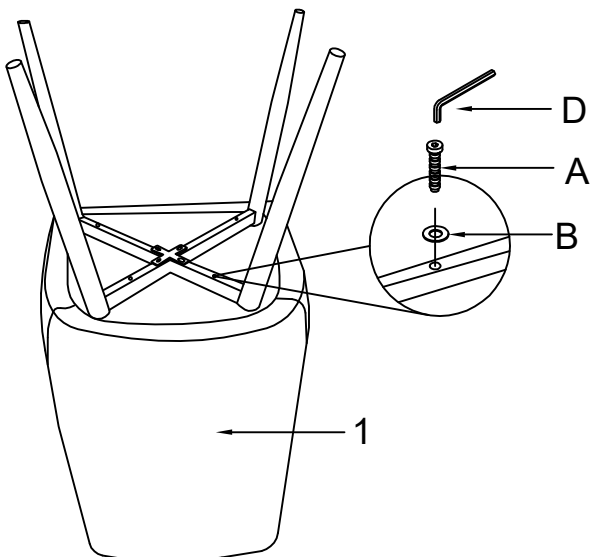
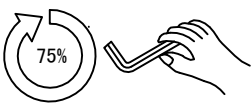
1



2



3



4

