

HEAVY DUTY GARDEN

Instruction Manual

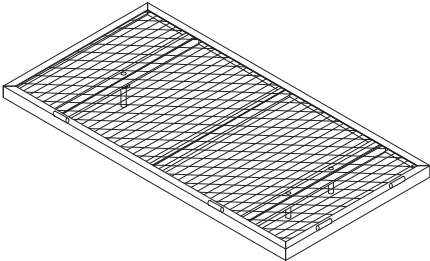
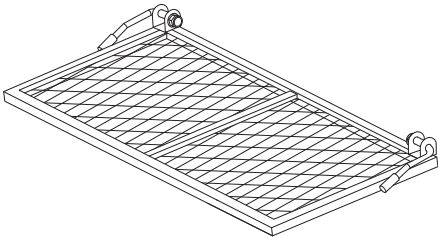
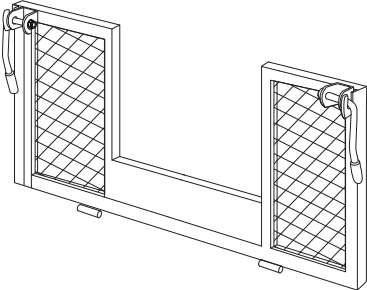
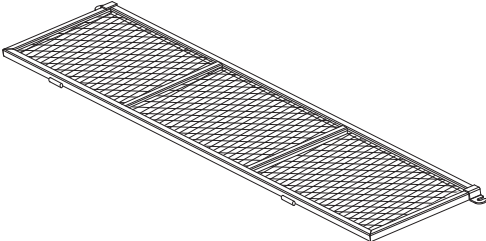
Warning

- Children are not allowed to assemble the product. During assembly, keep all small parts out of the reach of children, as it may be fatal to swallow or inhale them.
- Children are forbidden to climb or play on the product. Climbing or playing on the product may result in serious bodily injuries.

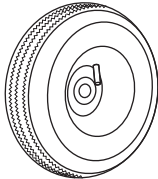
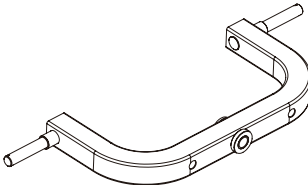
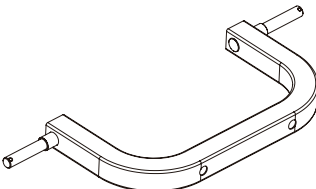
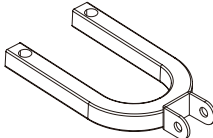
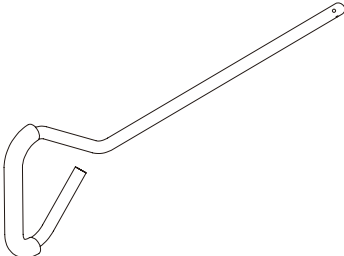
IMPORTANT SAFETY INSTRUCTIONS

1. Please read and follow all of the instructions before using this product.
2. Do not exceed the overall maximum load capacity of pounds.
The weight rating is based on an evenly distributed load.
3. Distribute the load evenly over the surface of the bed.
4. Do not load items on the top edges of the panels. Remove the panels before loading oversized items.
5. Do not allow children to use this cart without supervision. This cart is not a toy.
6. Do not use this cart to transport passengers.
7. This cart is not intended for highway use.
8. Do not exceed 5 mph.
9. If any parts become damaged, broken, or misplaced, do not use the cart until the replacement parts have been installed.
10. Do not use the cart on surfaces that can cause damage to the pneumatic tires or tubes. Do not use the cart for transporting objects that can cause damage to the pneumatic tires or tubes.
11. Do not inflate the tires to more than 30 psi (2.07 bar).
12. It is recommended that the cart be inspected for damage before each use.
13. Keep these instructions for future reference.

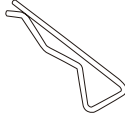


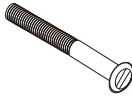




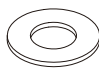
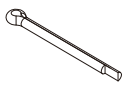
Parts List and Diagram

Item No.	Reference Image	Qty.
1		X1
2		X1
3		X1
4		X2

Parts List and Diagram

Item No.	Reference Image	Qty.
<p style="text-align: center;">5</p>	 <p style="text-align: center;">8 in.</p>	<p style="text-align: center;">X4</p>
<p style="text-align: center;">6</p>		<p style="text-align: center;">X1</p>
<p style="text-align: center;">7</p>		<p style="text-align: center;">X1</p>
<p style="text-align: center;">8</p>		<p style="text-align: center;">X1</p>
<p style="text-align: center;">9</p>		<p style="text-align: center;">X1</p>

Parts List and Diagram

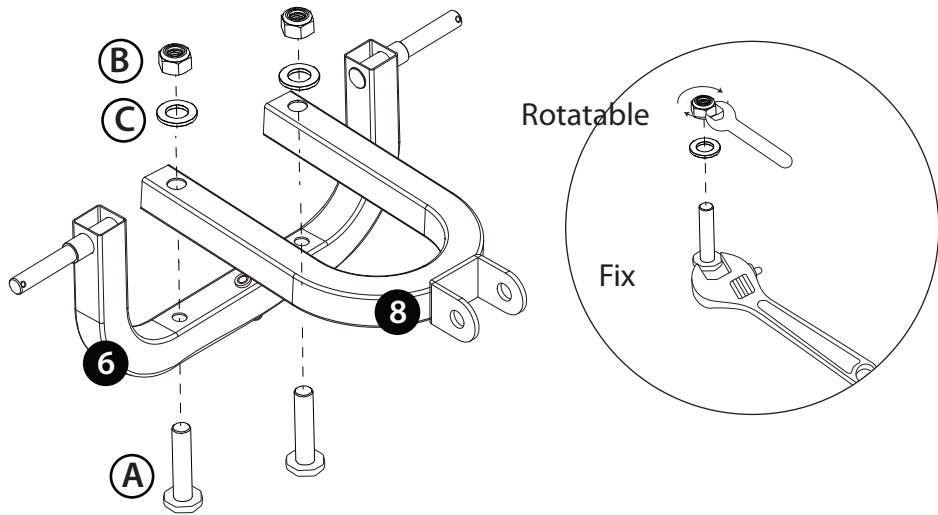
Item No.	Reference Image	Qty.	Item No.	Reference Image	Qty.
10		X8	11		X1
12		X1			
A	 M8*2.5 in.	X3	B	 M8	X3
C	 0.8 in.		D	 M12	X3
E	 1.2in.	X3	F	 1.6 in.	X4
G		X4			

Assembly Steps

STEP 1

6 x 1 pc. **8** x 1 pc. **A** x 2 pcs. **B** x 2 pcs. **C** x 2 pcs.

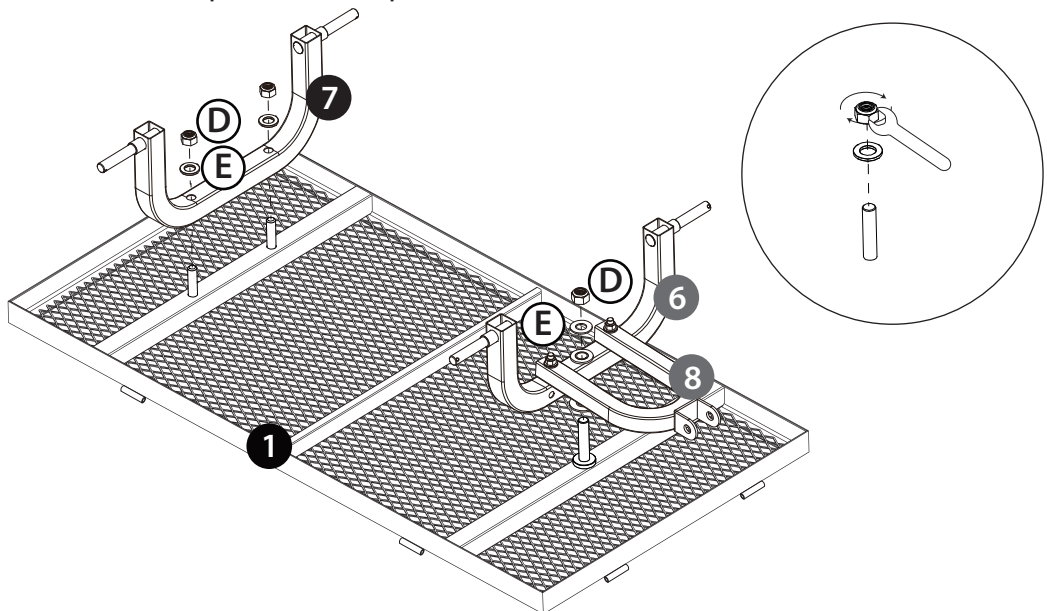
Fix Part 6 and Part 8 together via Parts A,C, and B, as shown in the figure.



STEP 2

1 x 1 pc. **7** x 1 pc. **D** x 3 pcs. **E** x 3 pcs.

Fix the structure from Step 1 to Part 1 via Parts D (1 pc.) and E (1pc.). Fix Part 7 to Part 1 via Parts D (2 pcs.) and E (2 pcs.).

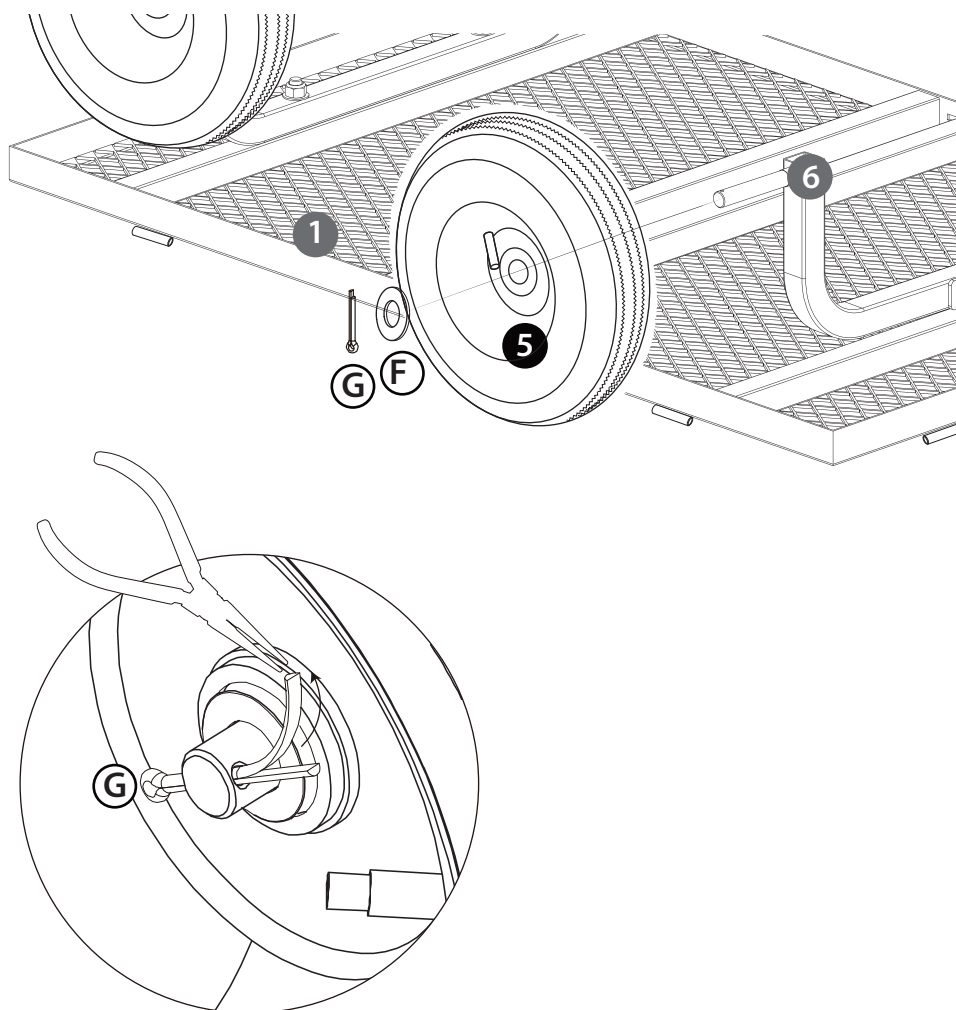


Assembly Steps

STEP 3

5 x 4 pcs. **F** x 4 pcs. **G** x 4 pcs.

Install Parts 5 on the structure from Step 2 via Parts F and G (one each per wheel), as shown in the figure.



Assembly Steps

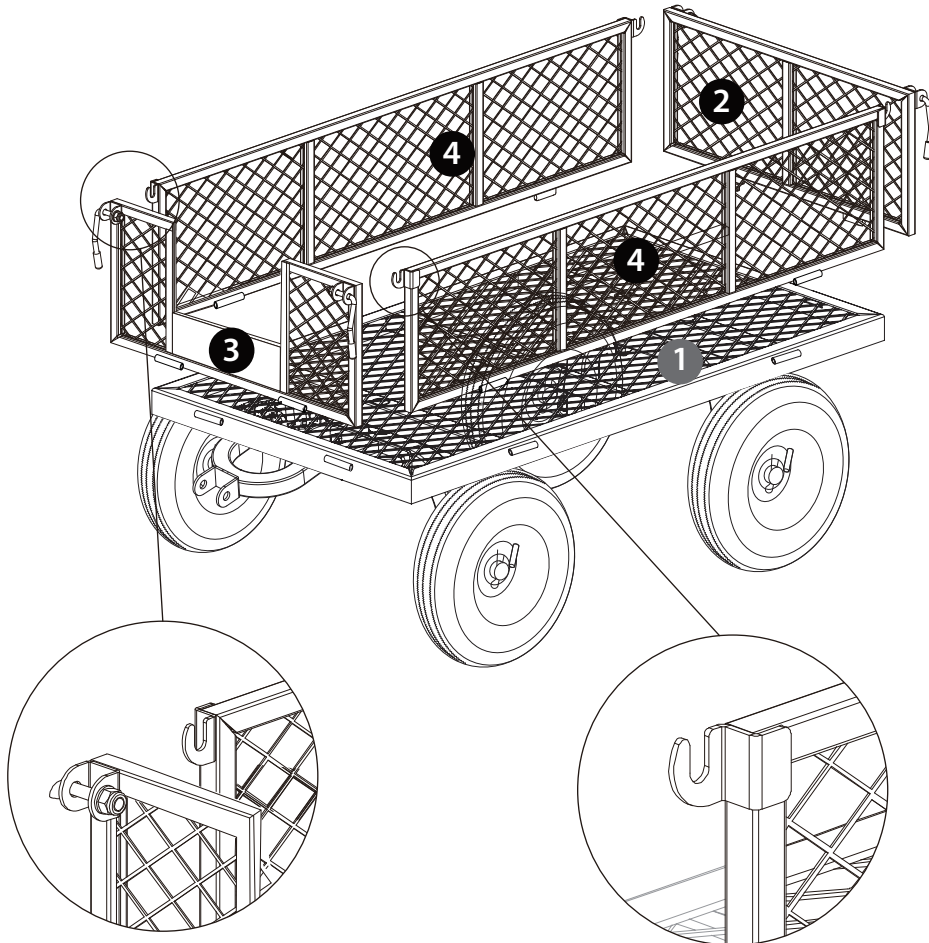
STEP 4

2 x 1 pc.

3 x 1 pc.

4 x 2 pcs.

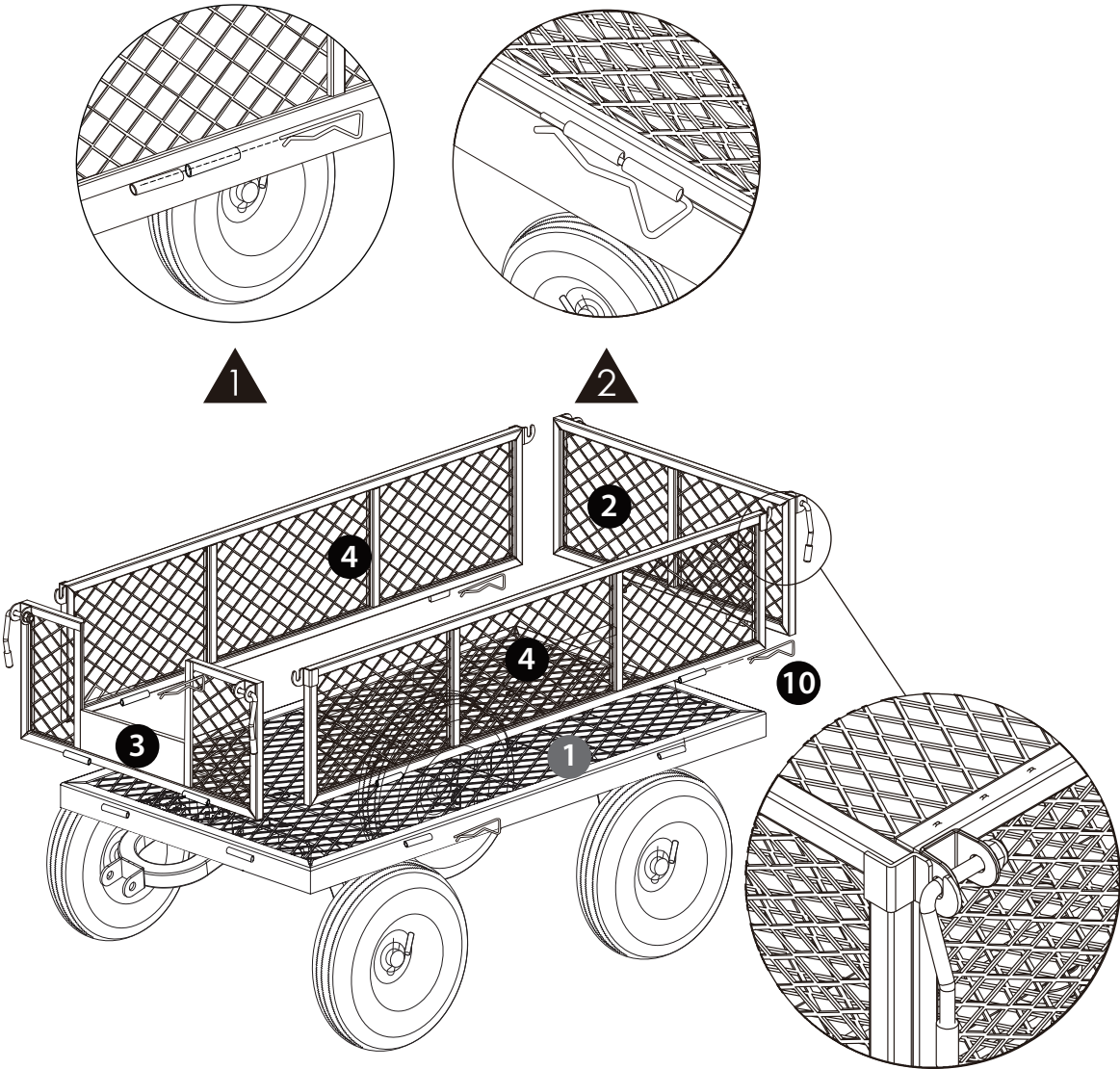
Flip the body 180 degrees so that the wheels are touching the ground. Determine the position of Parts 2, 3, and 4. Please pay attention to the direction and position of Part 4's hook in the figure.



Assembly Steps

STEP 5 **10** x 8 pcs.

Install Parts 2, 3, and 4 on Part 1 via Parts 10. Please pay close attention to the figure to see the method of installing Parts 10 and the hook.



Assembly Steps

STEP 6 **9** x 1 pc. **11** x 1 pc. **A** x 1 pc. **C** x 1 pc. **B** x 1 pc.

Put Part 9 into Part 11. Then, fix them on Part 8 via Parts A, C, and B. Note: Part 9 has two installation methods, which can be adjusted by yourself.

